

HLL linear LED lighting-hazardous area

Product introduction

HLL series is an extremely robust linear LED luminaire in an aluminum housing with a high impact polycarbonate diffuser for use in Zone 1, 2, 21 and 22 hazardous environments.

The use of high quality LED chips, along with Crouse-Hinds' industry knowhow in extracting heat from electrical products in hazardous, gaseous environment, ensures benchmark longevity for HLL in operation. With the added benefits of energy savings, lower maintenance, overall lower cost of ownership and importantly, contributes to a greener environment.



Product features

Model	Length	Color temp.	Nominal lumens	Wattage	Equivalent fluorescent luminaire
HLL-2-2L series	735mm	3000K	Approx.2700	<30W	2x18W
HLL-2-3L series	735mm	5700K	Approx.2800		
HLL-4-4L series	1335mm	3000K	Approx.5600	<60W	2x36W
HLL-4-5L series	1335mm	5700K	Approx.5700		

- Reliability
 - Polycarbonate, 4J impact resistant
 - Copper free aluminum for excellent corrosion and heat transfer properties
 - IP66 protection
 - Suitable for zone 1, 2, 21 and 22 gas and dust atmospheres
 - Highest temperature class T6

- Permissible ambient temperature:
 - Standard luminaire: -40°C~+55°C
 - Emergency luminaire: -25°C~+55°C
 - Standard 5700K, also available for 3000K, 4000K, 5000K, 6500K.
- Anti shock and vibration proof
- Mercury-free
- Instant ON without time delay
- Fixture life and years of maintenance-free operation

Ambient temperature	No. of years at 24 hours usage	No. of years at 12 hours usage
25°C	11	23
30°C	11	23
35°C	10	21
40°C	9	17
45°C	7	14
50°C	5	9

Technical data

IECEX-certification of conformity	IECEX NEP 19.0003X
Ex marking	Ex db eb mb op is IIC T6 Gb(HLL..) Ex eb ib mb op is IIC T6 Gb(HLL..EM..) Ex op is tb IIIC T80°C Db
IECEX CoC	IECEX CQM 16.0030X
Ambient temp	-40°C to 55°C (Normal) -25°C to 55°C (Emergency)
Rated input volt	100~240 VAC; 108~250 VDC
Power factor	>0.9
CRI	Cool white>70, warm white>80
System watt	HLL 2 series: 2x14W HLL 4 series: 2x28W
Lumen output	HLL 2 series: 2800Lm, 5700K HLL 4 series: 5700Lm, 5700K HLL 2 series: 2700Lm, 3000K HLL 4 series: 5600Lm, 3000K
Material	Aluminum
Weight	HLL 2 series Normal: 5kg HLL 2 series Em: 6kg HLL 4 series Normal: 10kg HLL 4 series Em: 12kg
Terminals	6mm ²
Out line dimension	HLL 2 series: 735x180x130(mm) HLL 4 series: 1335x180x130(mm)
Backup duration & lumen percentage	EM1=1.5h, 25% output, EM2=3h, 25% output
IP (IEC60529)	IP66

HLL linear LED lighting-hazardous area

Ordering logic

HLL	-2	-W	-2L	-D	-EM1	-1/6-225	-C	-R	-N	-S
Product group	Length	Color temp	Lumen output	Zone area	Emergency duration	Entry size type	Coating	Replacement	Switch	Switch
Alu linear LED	-2=2 feet length -4=4 feet length	-Default= Cool temp, 5700K -W=warm temp, 3000K	-2L=2700lm (2 feet, warm color only) -3L=2800lm (2 feet, Cool color only) -4L=5600lm (4 feet, warm color only) -5L=5700lm (4 feet, Cool color only)	-D= Zone 1	Default=non emergency version -EM1=1.5h, 25% output -EM2=3h, 25% output	-1/6-120(125)=6mm ² Single-ended 1 x M20/1 x M25 -1/6-220(225)=6mm ² Single-ended 2 x M20/2 x M25 -2/6-120(125)=6mm ² Through wiring 2-1 x M20/2-1 x M25 -2/6-220(225)=6mm ² Through wiring 2-2 x M20/2-2 x M25	Default = Cu free Alu C = Epoxy coated Alu	Default = Fixed LED module R = Replaceable LED module	Default=with safety switch -N=Without safety switch	Default=without inhibitor switch -S=With inhibitor switch

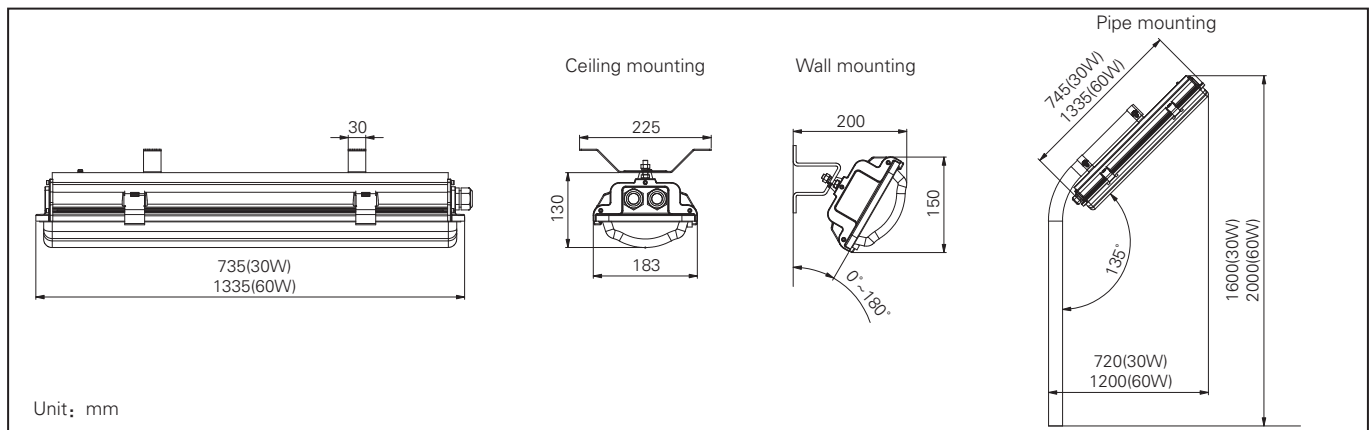
Ordering information

Part No.	Product type	Ambient Ta	Lumen output	Colour temp.	System watt.	T code
CCL1622391	HLL-2-3L-D-1/6-120	-40°C~+55°C	2800Lm	5700K	<30W	T6
CCL1622407	HLL-2-3L-D-2/6-120					
CCL1622423	HLL-2-3L-D-EM1-1/6-120	-25°C~+55°C				
CCL1622439	HLL-2-3L-D-EM1-2/6-120					
CCL1622775	HLL-4-5L-D-1/6-120	-40°C~+55°C	5700Lm	5700K	<60W	
CCL1622791	HLL-4-5L-D-2/6-120					
CCL1622807	HLL-4-5L-D-EM1-1/6-120	-25°C~+55°C				
CCL1622823	HLL-4-5L-D-EM1-2/6-120					

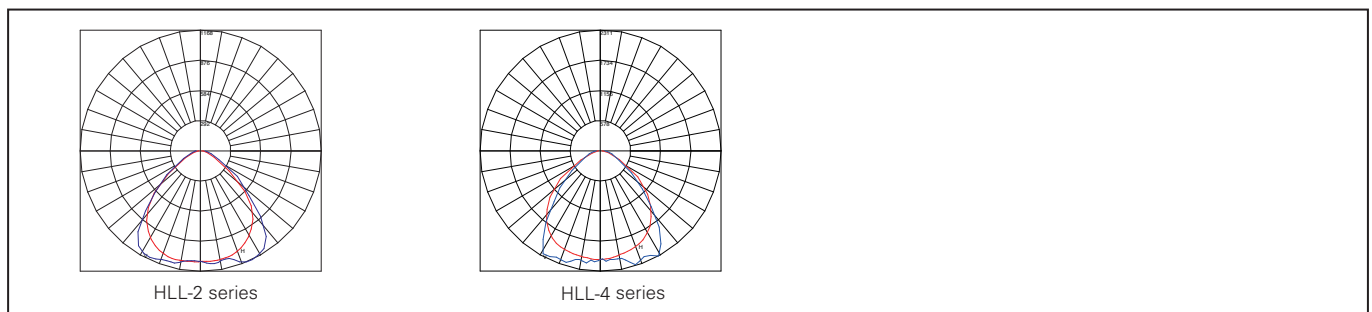
* Default=IECEx certified; Suffix A=ATEX certified; Suffix B=GB certified

* Any other types, please contact Crouse-Hinds sales.

Dimension

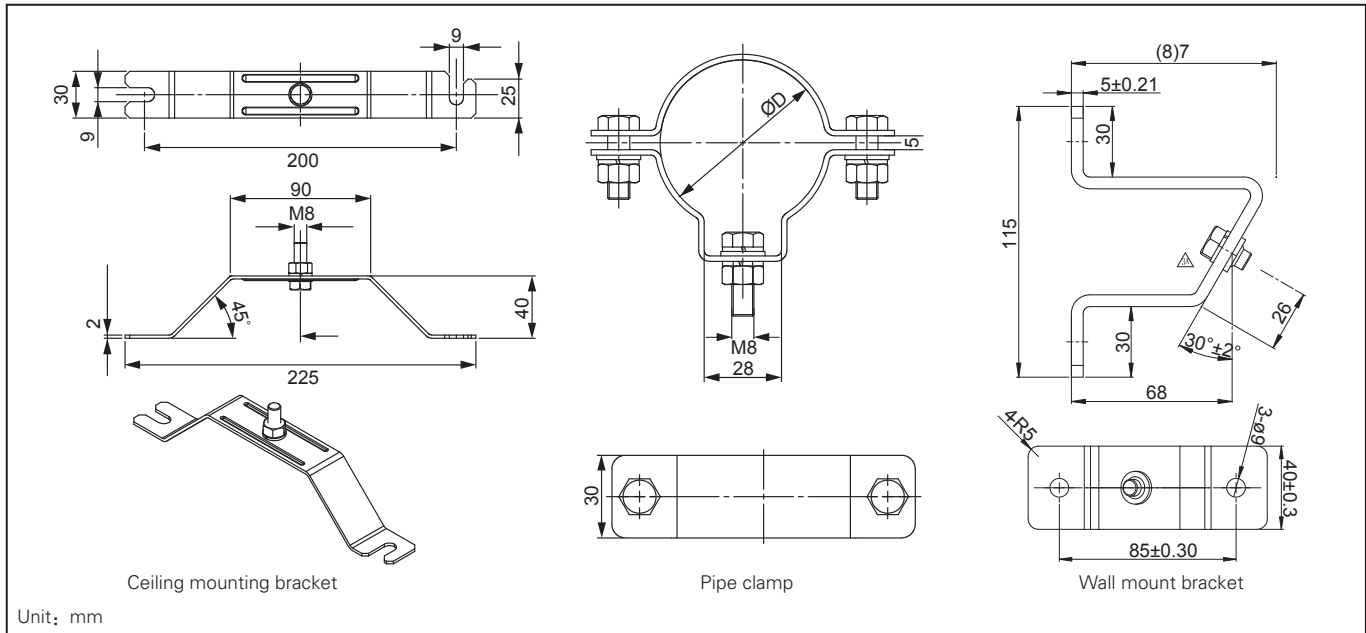


Polar curve



HLL linear LED lighting-hazardous area

Mounting accessories (To be ordered separately)



Pipe mounting

Part No	Description	Qty
CHR11076	Pipe clamp assy D42 316S/S	2
CHR11077	Pipe clamp assy D42 304S/S	2
CHR11078	Pipe clamp assy D42 plating	2
CHR11079	Pipe clamp assy D51 316S/S	2
CHR11080	Pipe clamp assy D51 304S/S	2
CHR11081	Pipe clamp assy D51 plating	2

Wall mounting

Part No	Description	Qty
CHR11073	Wall suspension 316S/S	2
CHR11074	Wall suspension 304S/S	2
CHR11075	Wall suspension plating	2

Ceiling mounting

Part No	Description	Qty
CHR11099	Ceiling mounting BKT 316S/S	2
CHR11100	Ceiling mounting BKT 304S/S	2
CHR11101	Ceiling mounting BKT plating	2

Authorised Distributor:



46, Jalan SS 22/21, Damansara Jaya,
47400 Petaling Jaya,
Selangor Darul Ehsan, Malaysia.
Email: ampmech@ampmech.com
Website: www.ampmech.com