

LED lighting for hazardous areas
Zone 1, 2, 21 and 22

CROUSE-HINDS
SERIES

HRL Recessed LED Linear fixtures



Safe. Reliable. Efficient.

EATON

Powering Business Worldwide

HRL Recessed LED Linear fixtures

Rugged solutions for complex environments.

Eaton's Crouse-Hinds series HRL recessed LED linear fixtures are engineered to provide maintenance-free illumination in the most demanding environments, along with with a competitive payback vs. fluorescent fixtures.

Available in three common sizes, the HRL is certified for use in Zones 1, 21, 2, and 22 hazardous areas, as well as Class I, Division 2 locations. Manufactured in galvanized steel or stainless steel for additional corrosion protection, HRL fixtures combine state-of-the-art LED technology with optimized thermal management to extend service life in extreme environments.



Available with self-contained emergency battery backup!

Primary applications:

- Locations requiring continuous and consistent light levels in extreme ambient temperatures
- Areas requiring frequent on-and-off of lights
- Where flammable vapors, gases, ignitable dusts, fibers or flying's are present
- Where corrosive, wet, dusty, hot and/or cold conditions exist
- Marine, wet locations and hose-down environments
- Manufacturing plants, chemical or pharmaceutical facilities, platforms

Design features:

Enhance safety and productivity

- Instant illumination and restrike
- T6 temperature rating to safely operate in the most hazardous environments

Reliable performance in any environment

- Outstanding water and dust proof performance (IP66)
- B0 & B15 fire rate

Reliable operation and low quality risks

- T6 rating @ 55°C ambient for standard 100-240VAC fixtures
- 108-250VDC input provision for emergency systems, cranes, etc.
- 25% lumen output in emergency operation

Easy installation

- Quick & easy maintenance- Easy access to drivers and wiring
- Easy installation – Recessed mounting with T-Bar.

Electrical ratings:

Model	HRL3060	HRL3012	HRL6060	HRL3060 EM	HRL3012 EM	HRL6060 EM
Voltage, VAC	110-240 VAC, 50/60HZ					
Voltage, VDC	108V-250VDC					
Power consumption	28W	54W	54W	29W	60W	60W
Inrush current peak	15A	15A	15A	15A	15A	15A
Inrush current time	0.2ms	0.2ms	0.2ms	0.2ms	0.2ms	0.2ms
Power factor cos φ @ 230 V	0.95	0.95	0.95	0.95	0.95	0.95
Protection class	IP66					
ISurge voltages	4Kv					
THD @230V	< 10%					

Model number	Nominal lumens†	Watts	Efficacy	Equivalent fluorescent
HRL3060	2950	28W	100 Lm/w	2x18W
HRL3012	6000	54W	110 Lm/w	2x36W
HRL6060	6000	54W	110 Lm/w	4x18W

† Lumen values apply to 4000 light colour, 80 CRI fixtures. Lumen output may vary slightly for different models.

Certifications and compliances:

IECEX / ATEX Standards:

- Ex d e mb IIC T6 Gb, Ex tb IIIC T80°C Db

Permissible ambient temperature

- -40°C to 55°C (standard fixture), -25°C to 55°C (emergency model)

Degree of protection accd. to EN 60529

- IP66

Fixture life (IEC 62722):

- LED and Control gear
- Lifetime: L70: 55kh @ 55°C
90kh @ 25°C

LED system:

- Light colour: 4000K
- CRI: 80
- Consult factory for other color options

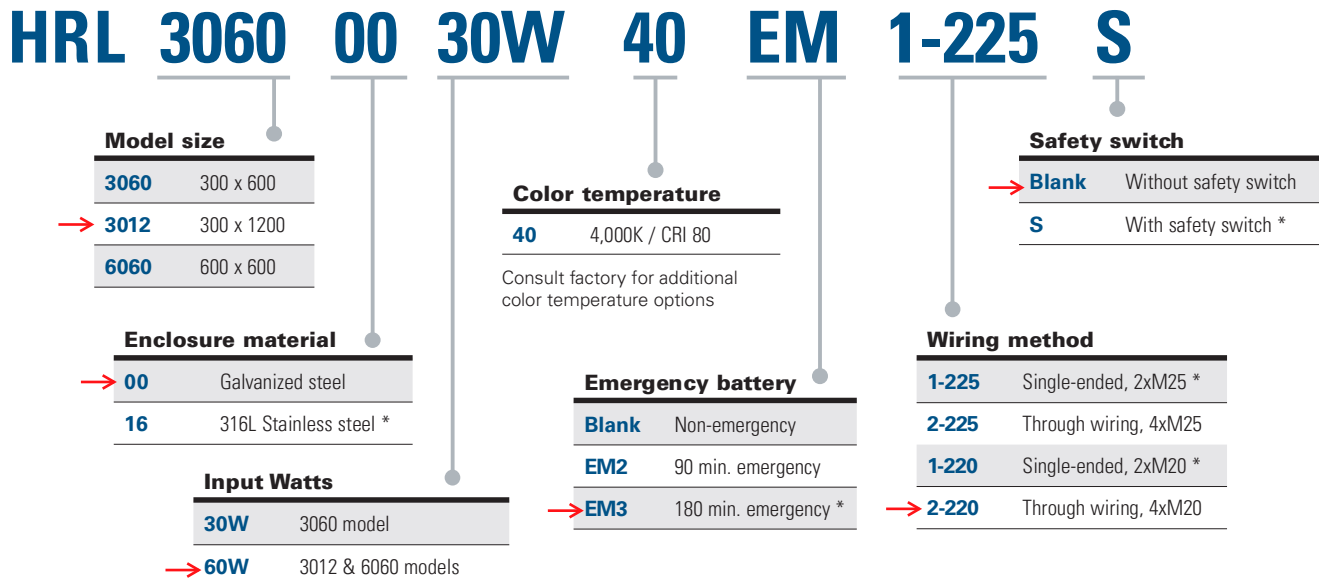
Standard materials:

- Enclosure - steel with white paint finish; stainless steel
- Lens - Translucent PC
- External hardware - Stainless steel

Catalog Numbering System

Part number example:

HRL fixture, 300mm x 600mm, 2,200 lumens, galvanized steel, 4000K, Non-emergency unit, single-ended M25 wiring, single row terminal, with safety switch

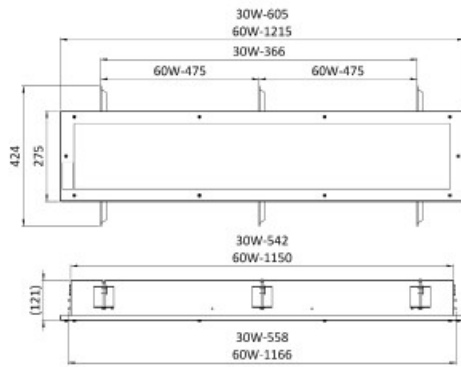


* Available on request

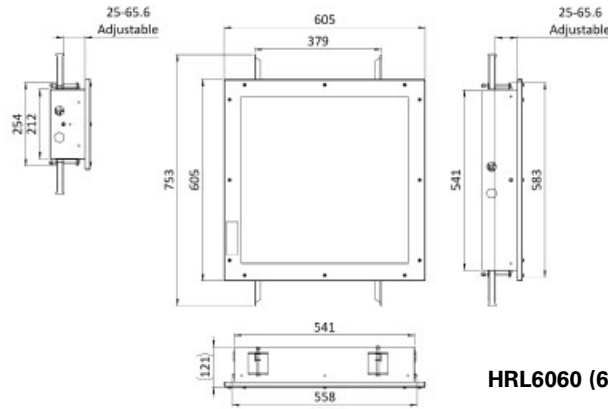
Ordering Information:

HRL Model	Part Number	Power	Lumen	CCT	Gland	Through Wiring	Battery	Duration	Light Output in Emergency
600 x 600 fixture									
HRL/6060/00/60W/40/2-220	CCL1714887	54W	6000lm	4000K	M20	Yes	No	--	--
HRL/6060/00/60W/40/EM2/2-220	CCL1714951	60W	6000lm	4000K	M20	Yes	Yes	1,5h	25%
300 x 600 fixture									
HRL/3060/00/30W/40/2-220	CCL1714057	28W	2950lm	4000K	M20	Yes	No	--	--
HRL/3060/00/30W/40/EM2/2-220	CCL1714121	29W	2950lm	4000K	M20	Yes	Yes	1,5h	25%
300 x 1200 fixture									
HRL/3012/00/60W/40/2-220	CCL1714441	54W	6000lm	4000K	M20	Yes	No	--	--
HRL/3012/00/60W/40/EM2/2-220	CCL1714505	60W	6000lm	4000K	M20	Yes	Yes	1,5h	25%

Dimensions & weights:



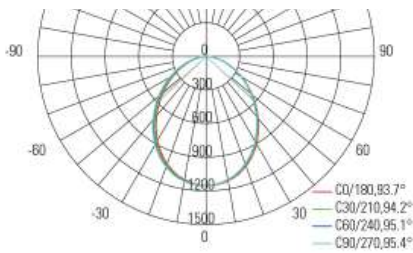
HRL3060 (30W) and HRL3012 (60W)



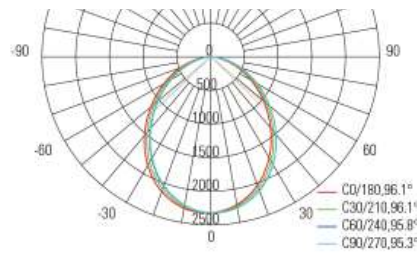
HRL6060 (60W)

Model number	Weight (kg)
HRL3060	8.4 kg
HRL3012	15.0 kg
HRL6060	15.5 kg

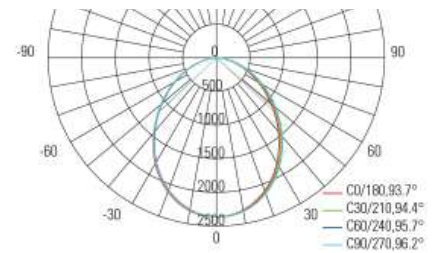
Polar curves:



HRL3060



HRL3012



HRL6060

For more information:

If further assistance is required, please contact an authorized Eaton Distributor, Sales Office, or Customer Service Department.

Eaton
1000 Eaton Boulevard
Cleveland, OH 44122
United States
Eaton.com

© 2021 Eaton
All Rights Reserved
Printed in USA
Publication No. 5441-0320
October 2021

Eaton is a registered trademark.

All other trademarks are property of their respective owners.

Authorised Distributor:



46, Jalan SS 22/21, Damansara Jaya,
47400 Petaling Jaya,
Selangor Darul Ehsan, Malaysia.
Email: ampmech@ampmech.com
Website: www.ampmech.com