

4.10

Ex-Tank inspection luminaire KFL

(Zone 1, 2, 21, 22)

4

The compact luminaire for the process industry

The robust and compact explosion-protected KFL tank inspection light fitting is used in all sectors of the process industry for the illumination of boiler interiors, tanks and agitators. The light features special mounting stands which can be attached to different inspection windows of sizes DN 40 to DN 200 in accordance with DIN 28120. As an option, the KFL can be easily carried and stably placed by a carry handle for temporary illumination. The housing is made of copper-free aluminium and has a lens made of impact-resistant borosilicate glass. The aluminium collar has a PTFE coating (Teflon) and is sealed with a Viton seal.

Multifunctional use

In addition to the use for illuminating boilers, this tank inspection light fitting can be used in combination with a carry handle as a maintenance and repair light. High-power LED lamps can be used. In addition to that, versions are also available in low voltage applications.

The extremely robust design of this fitting, the resistance to chemicals and UV and the high degree of protection IP 66 allow the use of this light fitting even under extremely harsh conditions.



Features

- Compact design
- Portable version with carry handle available
- Ready to connect for 230 V AC and low voltage 12/24 V AC/DC
- For up high-power LED lamp up to 10 W
- High luminous efficacy
- Generously dimensioned terminal compartment
- Mounting onto inspection windows according to DIN 28120
- High degree of protection IP66

Ordering details



Type	Content	Lamp / Illuminant	Weight	Cable gland/ thread	Threaded plug	Order No.
KFL						
KFL 7 LED	incl. lamp	GU10 lamp socket 8 W 230 V LED (incl.)	3 kg	2 x M25, metal thread	1 x M25	NOR 000 005 140 906
KFL 7 LED	without lamp	GU5.3 lamp socket (without lamp) for LED lamps up to 10 W 12/24 V	3 kg	2 x M25, metal thread	1 x M25	NOR 000 005 140 031
Portable KFL 7 LED	incl. lamp, carry handle	GU10 lamp socket 8 W 230 V LED (incl.)	6 kg	2 x M25, metal thread	1 x M25	NOR 000 005 140 907
Portable KFL 7 LED	without lamp, incl. carry handle	GU5.3 lamp socket (without lamp) for LED lamps up to 10 W 12/24 V	6 kg	2 x M25, metal thread	1 x M25	NOR 000 005 140 032



Accessories

Type	Content	Application	Order unit	Order No.
LED lamp	LED lamp 8 W Socket GU 10	KFL 7 LED	1	NOR 000 000 514 531
AT	Carry handle	KFL..	1	NOR 000 005 140 809
PAD	Antiglare shield	KFL..	1	NOR 000 005 140 700
PI	Mounting stands bended	KFL..	1	NOR 000 005 140 776

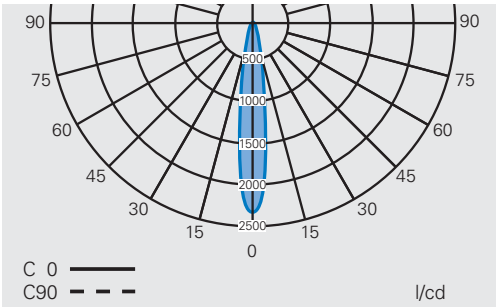
Scope of delivery without lamp, if not stated otherwise.
Metal cable glands see catalogue part 2: 2.3.12 ff

4.10

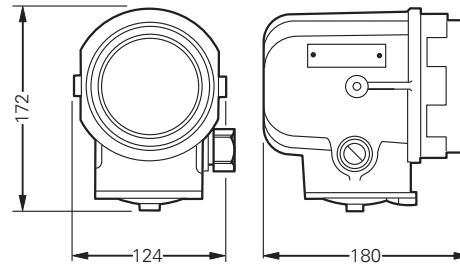
Dimension drawing / Polar curve

KFL

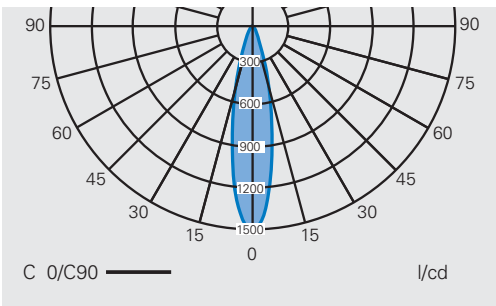
Polar curve KFL 50 IM



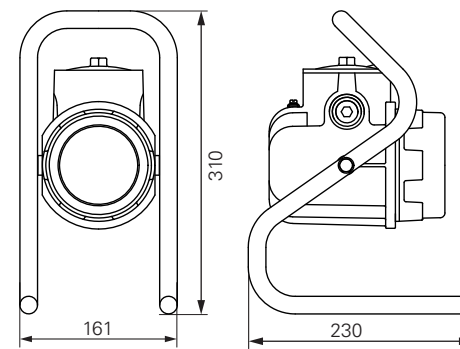
KFL 50 IM / 7 LED



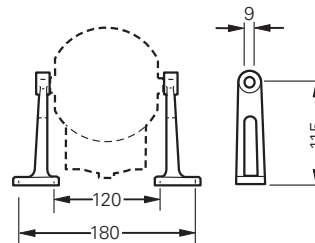
Polar curve KFL 50 IM / 7 LED



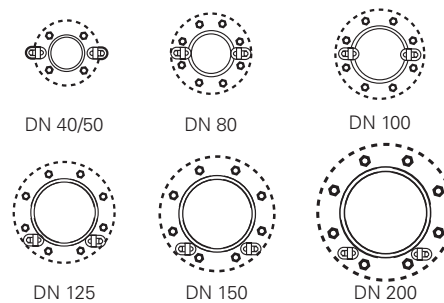
Portable KFL 7 LED



Light fixing facility PI



Allowed tank windows, nominal width



Dimensions in mm



Technical data

	KFL 7 LED / KFL 7 LED low voltage	Portable KFL 7 LED / Portable KFL 7 LED low voltage
EC-Type Examination Certificate	LOM 02 ATEX 2035	LOM 02 ATEX 2035
IECEX Certificate of Conformity		
Marking accd. to 2014/34/EU	Ⓢ II 2 G Ex d e IIC T6 Gb Ⓢ II 2 D Ex tb IIIC T85 °C Db	Ⓢ II 2 G Ex d e IIC T6 Gb Ⓢ II 2 D Ex tb IIIC T85 °C Db
Marking accd. to IECEx		
Permissible ambient temperature	-50 °C up to +55 °C	-50 °C up to +55 °C
Rated voltage	220 - 240 V AC / 12/24 V DC	220 - 240 V AC / 12/24 V DC
Frequency	0 / 50 - 60 Hz	0 / 50 - 60 Hz
Protection class	I	I
Lamp name	8 W / 10 W LED ¹⁾	8 W / 10 W LED ¹⁾
Lamp cap	GU10 / GU5.3 accord IEC 60061 ¹⁾	GU10 / GU5.3 accord IEC 60061 ¹⁾
Rated luminous flux of the luminaire (typical, ± 10 %)	depends on lamp	depends on lamp
Dimensions (L x W x H)	180 x 124 x 172 mm	230 x 158 x 310 mm
Connecting terminals	2 x 2.5 mm ² , PE internal and external 6.0 mm ²	2 x 2.5 mm ² , PE internal and external 6.0 mm ²
Enclosure colour	Grey	Grey
Enclosure material	Light alloy with powder coating	Light alloy with powder coating
Weight	3 kg	6 kg
Cable glands / gland plates / enclosure drilling	1 x M25 x 1.5 thread, 1 x M25 Ex-e screw plug	1 x M25 x 1.5 thread, 1 x M25 Ex-e screw plug
Degree of protection accd. to EN 60529	IP66	IP66
Protective cover / protective bowl	Toughened glass	Toughened glass

¹⁾ Scope of delivery

Authorised Distributor:



46, Jalan SS 22/21, Damansara Jaya,
47400 Petaling Jaya,
Selangor Darul Ehsan, Malaysia.
Email: ampmech@ampmech.com
Website: www.ampmech.com