

GHG 744/ GHG745Ex-e/Ex-i terminal box



GHG 744 0101 R0005



Type 745 02



GHG 745 0201 R0012

Technical data

GHG 744 01 up to 40 terminals | GHG 745 02 up to 82 terminals

| | |
|--|---|
| Marking accd. to 2014/34/EU | ⊕ II 2 G Ex e IIC T4/T5/T6 Gb / Ex e ib [ia/ib] IIC T4/T5/T6 Gb / ⊕ II 2 D Ex tb IIIC T80 °C/T95 °C Db IP6X |
| EC-Type Examination Certificate | BVS 12 ATEX E 118X |
| IECEX Certificate of Conformity | IECEX BVS 12.0071X |
| Marking accd. to IECEx | Ex e IIC T4/T5/T6 Gb Ex tb IIIC T80 °C/T95 °C Db IP6X |
| Permissible ambient temperature | -20 °C to +40 °C -55 °C to +55 °C (option) |
| Rated voltage | 690 V |
| Rated current | depends on terminal mounting |
| Protection class | I |
| Degree of protection accd. to EN 60529 | IP66 |
| Enclosure material | glass-fibre reinforced polyester |
| Enclosure colour | black |

GHG 744 01 up to 31 terminals

| | | | | | | | | |
|--|---------------------------|-------------------------|-------------------------|--------------------------|--------------------------|--------------------------|-------------------------|-----|
| Connecting terminals | up to 25 mm ² | | | | | | | |
| Dimensions (L x W x H) | 271 x 134 x 136 mm | | | | | | | |
| Weight | approx. 1.5 kg | | | | | | | |
| Drillings/cable glands | M12 | M16 | M20 | M25 | M32 | M40 | M50 | M63 |
| Max. number down | 60 | 36 | 26 | 18 | 10 | 7 | 4 | 3 |
| Max. number flange plastic | 46 | 25 | 20 | 11 | 8 | 4 | 3 | 2 |
| Max. number flange metal | - | - | 11 | 9 | 5 | 3 | 3 | 2 |
| Terminal mounting space on the terminal rail | 1 x 230 mm | | | | | | | |
| Max. number of terminals acc. to certification | 2.5 mm ² 38 | 4 mm ² 31 | 6 mm ² 24 | 10 mm ² 20 | 16 mm ² 17 | 25 mm ² 15 | 35 mm ² 7 | |

GHG 745 02 up to 82 terminals

| | | | | | | | | | | |
|--|---------------------------|-------------------------|-------------------------|--------------------------|--------------------------|--------------------------|--------------------------|-------------------------|-------------------------|--|
| Connecting terminals | up to 70 mm ² | | | | | | | | | |
| Dimensions (L x W x H) | 271 x 271 x 136 mm | | | | | | | | | |
| Weight | approx. 2.5 kg | | | | | | | | | |
| Drillings/cable glands | M12 | M16 | M20 | M25 | M32 | M40 | M50 | M63 | | |
| Max. number down | 60 | 36 | 26 | 18 | 10 | 7 | 4 | 3 | | |
| Max. number flange plastic | 46 | 25 | 20 | 11 | 8 | 4 | 3 | 2 | | |
| Max. number flange metal | - | - | 11 | 9 | 5 | 3 | 3 | 2 | | |
| Terminal mounting space on the terminal rail | 2 x 230 mm | | | | | | | | | |
| Max. number of terminals acc. to certification | 2.5 mm ² 38 | 4 mm ² 31 | 6 mm ² 24 | 10 mm ² 20 | 16 mm ² 17 | 25 mm ² 16 | 35 mm ² 15 | 50 mm ² 9 | 70 mm ² 9 | |



GHG 745 0201 R0012



Type 745 02



GHG 744 0101 R0005

Ordering details

| Content | Cable gland | No. of terminals | Order No. |
|---|---|-----------------------------------|--------------------|
| Type 744 01 up to 31 terminals assembled with screw terminals 2 x 4 mm² + PE-rail 4 mm² | | | |
| Ex-e | 1 x plastic flange down without drilling | 1 x Ex-e ¹⁾ 7 x PE | GHG 744 0101 R0005 |
| Type 745 02 up to 82 terminals assembled with screw terminals 2 x 4 mm² + PE/PA-rail 4 mm² | | | |
| Ex-e | 1 x plastic flange down without drilling | 1 x Ex-e ¹⁾ 14 x PE | GHG 745 0201 R0004 |
| Type 745 02 up to 82 terminals assembled with screw terminals 2 x 2.5 mm² + PE/PA-rail 4 mm² | | | |
| Ex-i | 1 x M50 cable gland 8 x M32 for 4 cable | 60 x Ex-i 27 x PE/PA | GHG 745 0201 R0012 |
| Ex-e | 1 x M50 cable gland 30 x M16 cable gland | 60 x Ex-e 27 x PE/PA | GHG 745 0201 R0013 |
| Ex-i | 1 x M50 cable gland 30 x M16 cable gland | 60 x Ex-i 27 x PE/PA | GHG 745 0201 R0014 |
| Ex-e | 1 x M50 cable gland 24 x M20 cable gland | 60 x Ex-e 27 x PE/PA | GHG 745 0201 R0015 |
| Ex-i | 1 x M50 cable gland 24 x M20 cable gland | 60 x Ex-i 27 x PE/PA | GHG 745 0201 R0021 |
| Type 745 02 up to 82 terminals assembled with screwless terminals 2 x 2.5 mm² + PE/PA-rail 4 mm² | | | |
| Ex-i | 1 x M50 cable gland 8 x M32 for 4 cable | 60 x Ex-i 27 x PE/PA | GHG 745 0201 R0016 |
| Ex-e | 1 x M50 cable gland 30 x M16 cable gland | 60 x Ex-e 27 x PE/PA | GHG 745 0201 R0017 |
| Ex-i | 1 x M50 cable gland 30 x M16 cable gland | 60 x Ex-i 27 x PE/PA | GHG 745 0201 R0018 |
| Ex-e | 1 x M50 cable gland 24 x M20 cable gland | 60 x Ex-e 27 x PE/PA | GHG 745 0201 R0020 |
| Ex-i | 1 x M50 cable gland 24 x M20 cable gland | 60 x Ex-i 27 x PE/PA | GHG 745 0201 R0022 |

¹⁾ according to type examination certificate individual extensible
Other versions available on request

GHG 744/ GHG745 Ex-e/Ex-i terminal box



GHG 744 0101 R0005

Type 745 02

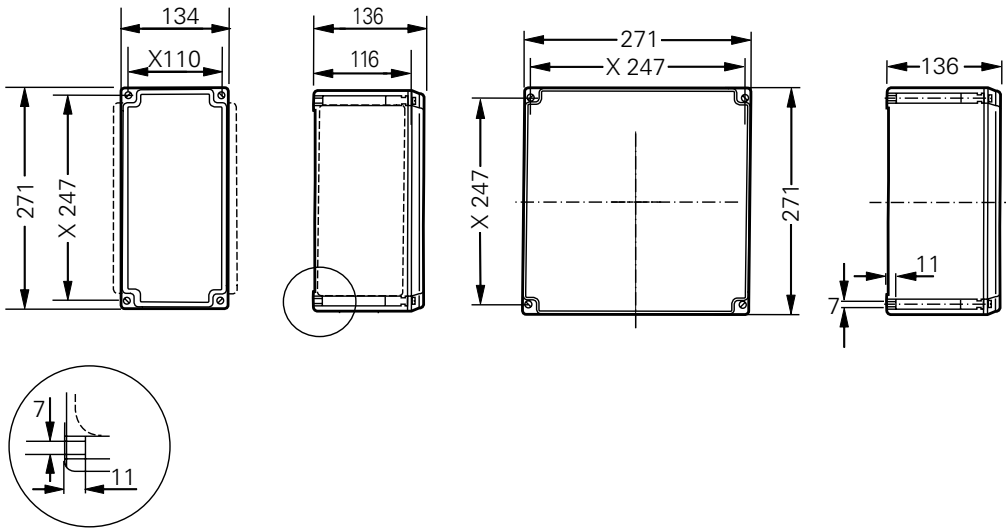
GHG 745 0201 R0012

Accessories

| Type | Application | Fixing method | Order No. |
|---|---------------------------|--------------------|---------------------------|
| Mounting plate for junction box 744 01 | | | |
| Size 3 | Wall mounting | screwless mounting | GHG 610 1953 R0118 |
| Size 3 | Trellis mounting | screwless mounting | GHG 610 1953 R0118 |
| Size 3 | Pipe clamp | screwless mounting | GHG 610 1953 R0110 |
| Protective canopy size 3 | for mounting plate size 3 | | GHG 610 1955 R0104 |

Details for accessories see page 2.2.80 up to 2.2.84.

Dimension drawing



Type 744 01

Type 745 02

X = fixing dimensions

Authorised Distributor:



46, Jalan SS 22/21, Damansara Jaya,
47400 Petaling Jaya,
Selangor Darul Ehsan, Malaysia.
Email: ampmech@ampmech.com
Website: www.ampmech.com

Dimensions in mm