

CTB II Stainless Steel Enclosures

Product Introduction

Eaton's Crouse-Hinds is premier manufactures of high quality and robust enclosure/termination assemblies. They are specifically designed to meet the requirements of the most industrial and hazardous environmental. With over 30 years of experience in the design, engineering and manufacturing of enclosures and termination assemblies, Crouse-Hinds Series provides a proven, tried and tested solution to meet the toughest installation requirements.

The CTB range is an "ATEX" "IECEX" "CU-TR" and "GB" certified explosion proof enclosure/termination solution available in various options of materials and finishes, fully complaint with the related impact, thermal and ingress protection requirements. It is also available in wide range of sizes ensuring we can meet a multitude of applications.



The 1/4 turn lock or the retained stainless steel slotted hex bolt fastenings provide a rapid means of achieving high integrity ingress protection (IP66/67) for reliable & rapid environmental protection.



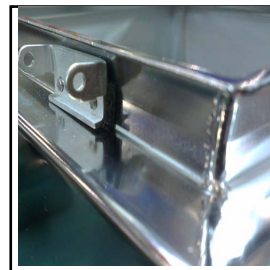
The EPDM is a sealing gasket for excellent ingress protection IP66/67 with good recovery and re-sealing properties.



The enclosure is mounted by two or four horizontal 3mm thick heavy-duty surface welded stainless steel lugs, with slotted top, and looped bottom lugs for ease of mounting. These provide a rapid, secure and reliable means of enclosure installation.



Internal/external brass earth/ground stud assembly enables rapid and reliable protective earth/ground connection, mounted on the side of the enclosure, for ease of access.



A special designed flat surface integral drainage channel prevents liquids or other solids contaminates from running in or falling into the enclosure when the door is opened. This design also prevent gasket from becoming broken when the door is tight closed.



Security padlock HASP option.

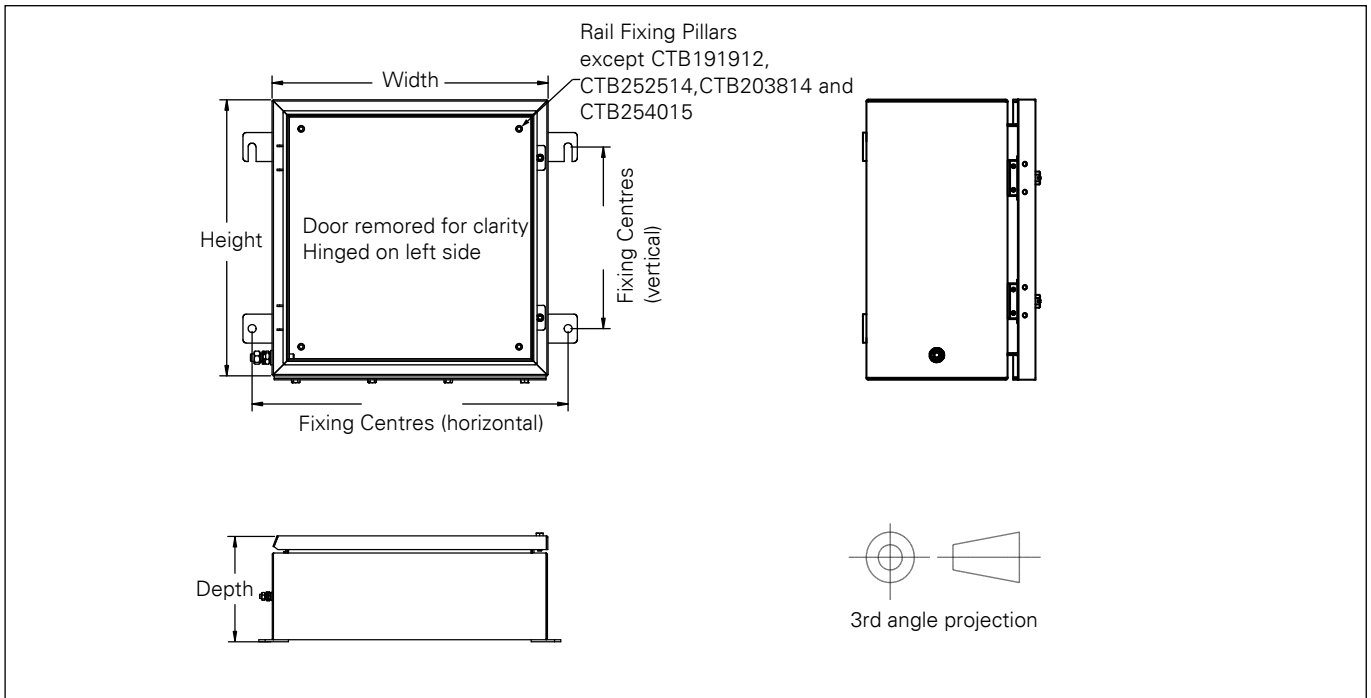
CTB II Stainless Steel Enclosures

Technical Data

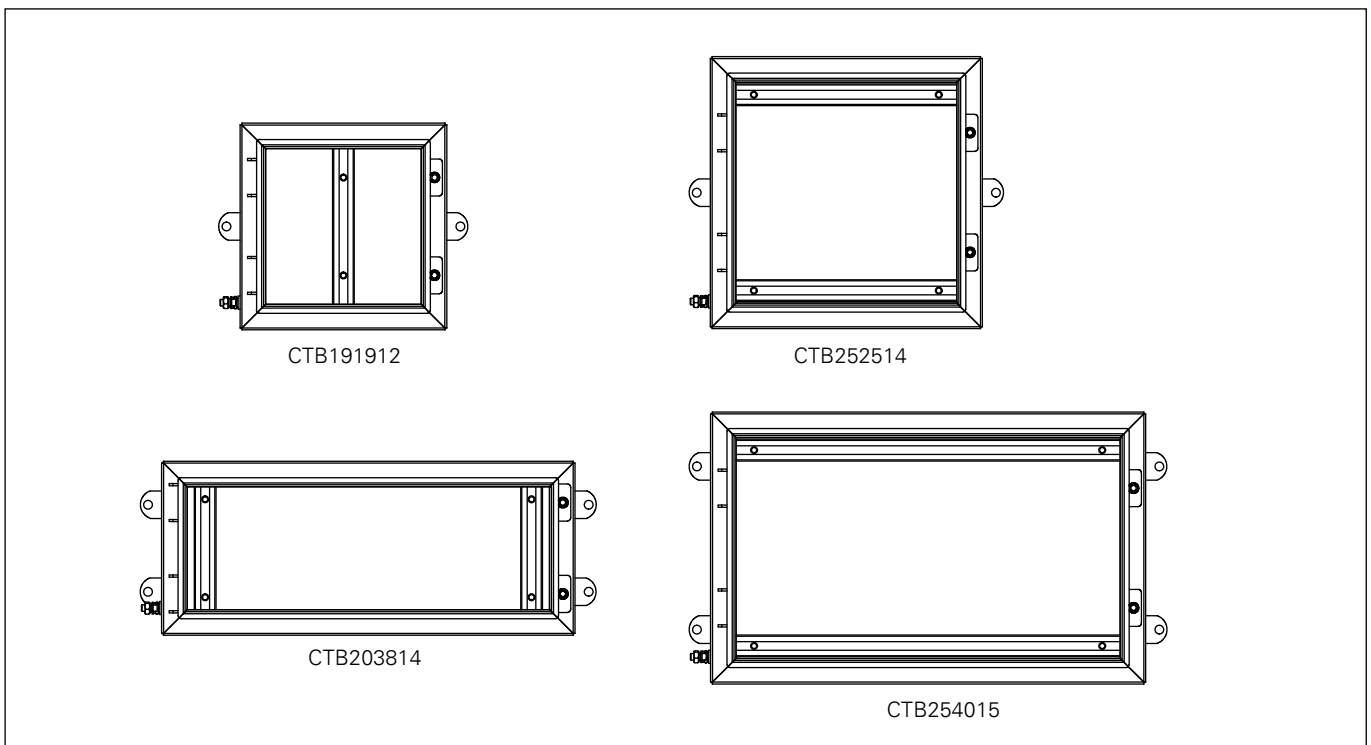
Material/Finish	316L Stainless Steel (1.4404 to EN10088) 304 Stainless Steel (1.4301 to EN10088) Electro chemical polish or Brushstainless steel box available to order
Gasket material	EPDM
Door fastening	Captive stainless steel bolt or 1/4 turn lock (option) (lock material zinc alloy with chromium plated or SS316L on request)
Door option mounting	Factory fitted padlock HASP
Enclosure mounting	CTB191912, CTB252514, CTB252524 2 x external welded lugs Ø 8mm holes CTB203814, CTB303024, CTB254015, CTB254024 4 x external welded lugs Ø 8mm holes CTB383824, CTB406024, CTB504027, CTB605027, CTB706027, CTB807027, CTBX08027 4 x external welded lugs Ø 11mm holes
Internal equipment mounting	CTB191912, CTB252514, CTB203814, CTB254015 internally welded TAS20 rail for DIN rail terminal mounting CTB252524, CTB303024, CTB254024, CTB383824, CTB406024, CTB504027, CTB605027, CTB706027, CTB807027, CTBX08027 4 x standoff pillars Ø 9mm, 25mm high, tapped M6
Gland plate	CTB203814, CTB254015, CTB406024, CTB254024-1 piece gland plate on bottom CTB191912, CTB252514, CTB383824, CTB252524, CTB303024, CTB504027, CTB605027, CTB706027, CTB807027, CTBX08027-3 piece glands plate on bottom, left side and right side. Note: no type with gland plate on top side.
Enclosure thickness	1.5 or 2mm
Enclosure earth/ground	CTB191912, CTB252514, CTB203814, CTB252524-with M6 internal/external brass earth/ground stud assembly CTB254015, CTB383824, CTB406024, CTB303024, CTB254024, CTB504027, CTB605027, CTB706027, CTB807027, CTBX08027-with M10 internal/external brass earth/ground stud assembly
Degree of protection	IP66/67 to EN60529
Ambient temperature range	T4: -35°C~+60°C T5: -35°C~+55°C T6: -35°C~+40°C
Operating temp range	-35°C~+95°C
Impact resistance	7 J (Nm) to EN60014
Marking acc. to ATEX	Ⓔ II 2 G Ex e IIC T4/T5/T6 Gb, Ex e[ia] IIC T4/T5/T6Gb, Ex ia IIC T4/T5/T6Gb Ⓔ II 2 D Ex tb IIIC T130°C/T95°C/T80°C Db
Marking acc. to GB	II 2 G Ex e IIC T4/T5/T6 Gb, Ex e[ia] IIC T4/T5/T6Gb, Ex ia IIC T4/T5/T6Gb II 2 D Ex tb IIIC T130°C/T95°C/T80°C Db
Marking acc. to IECEx	Ex e IIC T4/T5/T6 Gb, Ex e[ia] IIC T4/T5/T6 Gb, Ex ia IIC T4/T5/T6 Gb EX tb IIIC T130°C/T95°C/T80°C Db

CTB II Stainless Steel Enclosures

CTB Range Enclosure-General Arrangement



Internal Mounting of TAS20 Welded Rail



	CTB254024	CTB383824	CTB406024	CTB504027	CTB605027	CTB706027	CTB807027	CTBx08027
	250x400x245	380x380x245	400x600x245	500x400x275	600x500x275	700x600x275	800x700x275	1000x800x275
	150x425	250x435	264x656	350x455	435x556	466x656	534x756	666x856
	0, 1	0, 1, 2, 3	0, 1	0, 1, 2, 3	0, 1, 2, 3	0, 1, 2, 3	0, 1, 2, 3	0, 1, 2, 3
	1.5	1.5	1.5	1.5	1.5	1.5	1.5	1.5
	1.5	1.5	1.5	1.5	1.5	1.5	1.5	1.5
	7.9	9.7	13.4	13.7	15.8	22	26.3	37.6
	170	300	320	420	520	620	720	920
	200	330	350	450	550	650	750	950
	397x213	377x213	597x213	397x243	497x243	597x243	697x243	797x243
	247x213	377x213	397x213	497x243	597x243	697x243	797x243	997x243
	128	120	192	160	200	240	290	300
	66	60	102	66	84	102	114	132
	45	40	70	45	55	70	80	90
	21	18	33	28	36	44	48	56
	18	15	27	18	21	27	30	36
	10	8	14	15	18	21	27	30
	8	8	12	8	10	12	14	16
	80	120	128	200	240	290	330	410
	42	60	66	84	102	114	132	168
	25	40	45	55	70	80	90	115
	12	18	21	36	44	48	56	72
	9	15	18	21	27	30	36	45
	6	8	10	18	21	27	30	39
	4	8	8	10	12	14	16	20
	3x32	3x52	3x56	3x72	3x88	3x104	3x120	4x150
	3x30	3x50	3x52	3x68	3x84	3x100	3x116	4x140
	3x24	3x40	3x42	3x54	3x66	3x78	3x90	4x110
	3x18	3x32	3x34	3x44	3x54	3x64	3x74	4x90

Authorised Distributor:



46, Jalan SS 22/21, Damansara Jaya,
47400 Petaling Jaya,
Selangor Darul Ehsan, Malaysia.
Email: ampmech@ampmech.com
Website: www.ampmech.com