

EYD and EZD conduit sealing fittings with drains

Cl. I, Div. 1 & 2, Groups B, C, D
 Cl. II, Div. 1, Groups E, F, G
 Cl. II, Div. 2, Groups F, G
 Cl. III

Explosionproof
 Dust-ignitionproof

5F

Applications:

EYD drain and EZD drain and inspection sealing fittings:

- Restrict the passage of gases, vapors or flames from one portion of the electrical installation to another at atmospheric pressure and normal ambient temperatures
- Limit explosions to the sealed off enclosure
- Prevent pre-compression or "pressure piling" in conduit systems

Drain sealing fittings are installed in vertical conduit runs and at low points in conduit systems to prevent accumulation of condensate above seal.

Features:

EYD and EZD drain sealing fittings include:

- Drain to provide continuous, automatic drainage of condensate
- Large openings with threaded closures to provide easy access to conduit hubs for making dams
- Integral bushings to protect conductor insulation from damage
- Taper tapped hubs to ensure ground continuity

EZD drain and inspection sealing fittings also include:

- Removable covers for periodic inspection of seals
- Barrier for sealing compound easily installed after dams are made and before compound is poured

Standard materials:

- Bodies and inspection or drain covers – Feraloy iron alloy and/or ductile iron
- Closure for drain – copper-free aluminum or ductile iron
- Small closure plug – Feraloy iron alloy and/or steel
- Drain – stainless steel
- Removable nipples – steel

Standard finishes:

- Feraloy iron alloy and ductile iron – electrogalvanized and aluminum acrylic paint
- Copper-free aluminum – natural
- Stainless steel – natural
- Steel – electrogalvanized

Options:

Description

- Copper-free aluminum bodies, nipples and enclosures **SA**

Suffix

Size ranges:

- EYD – 1/2" - 4"
- EZD – 1/2" - 2"

Ordering information:

EYD



1/2" - 1"
female hub



1/2" - 1"
male and female hub



1 1/4" - 4"
female hub



1 1/4" - 4"
male and female hub

Certifications and compliances:

NEC/CEC:

EYD11-EYD101, EYD116-EYD1016

- Class I, Divisions 1 & 2, Groups B, C, D
- Class II, Division 1, Groups E, F, G
- Class II, Division 2, Groups F, G
- Class III

EYD1-EYD10, EYD16-EYD106, EZD111-EZD611

- Class I, Divisions 1 & 2, Groups C, D
- Class II, Divisions 1 & 2, Groups F, G
- Class III

UL standard:

- UL1203

CSA standard:

- C22.2

Hub size	Cat. # Female hub	Cat. # Male and female hub	Cat. # Female hub	Cat. # Male and female hub	Approximate internal volume in cubic inches
1/2"	EYD1	EYD16	EYD11	EYD116	1
3/4"	EYD2	EYD26	EYD21	EYD216	2
1"	EYD3	EYD36	EYD31	EYD316	3 3/4
1 1/4"	EYD4	EYD46	EYD41	EYD416	8
1 1/2"	EYD5	EYD56	EYD51	EYD516	10 3/4
2"	EYD6	EYD66	EYD61	EYD616	20
2 1/2"	EYD7	EYD76	EYD71	EYD716	35
3"	EYD8	EYD86	EYD81	EYD816	57
3 1/2"	EYD9	EYD96	EYD91	EYD916	75
4"	EYD10	EYD106	EYD101	EYD1016	105

Sealing fittings are approved for use in hazardous locations only when Chico X fiber and Chico A sealing compound or Chico SpeedSeal are used to make the seal.

A See Certifications and compliances section for classification of each product.

B Available in copper-free aluminum. To order, add suffix 'SA' to end of catalog number.

EYD and EZD conduit sealing fittings with drains

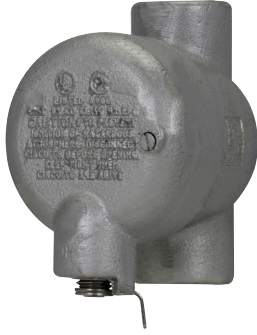
Cl. I, Div. 1 & 2, Groups C, D
 Cl. II, Div. 1, Groups E, F, G
 Cl. II, Div. 2, Groups F, G
 Cl. III

Explosionproof
 Dust-ignitionproof

5F
 5F

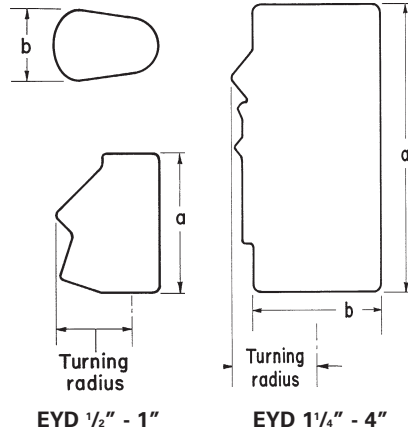
Ordering information (continued):

EZD with drain and inspection cover



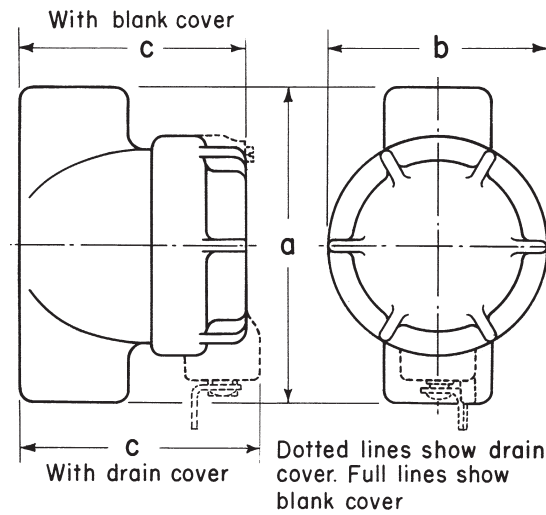
Hub size	Cat. #	Approximate internal volume in cubic inches
1/2"	EZD111	5
3/4"	EZD211	6
1"	EZD311	10
1 1/4"	EZD411	11
1 1/2"	EZD511	13
2"	EZD611	40

Dimensions (in inches):



EYD drain seal

Hub size	a	b	Turning radius
1/2"	3 ³ / ₃₂	1 ¹ / ₄	1 ¹ / ₈
3/4"	3 ¹¹ / ₁₆	1 ¹ / ₂	1 ²⁹ / ₃₂
1"	4 ⁵ / ₁₆	2 ³ / ₁₆	2 ⁷ / ₈
1 1/4"	5 ¹ / ₁₆	2 ⁷ / ₁₆	1 ²¹ / ₃₂ ⓐ
1 1/2"	5 ¹ / ₂	2 ⁷ / ₁₆	2 ¹ / ₁₆ ⓐ
2"	6 ¹ / ₄	3	2 ⁵ / ₁₆ ⓐ
2 1/2"	7 ¹ / ₂	3 ¹ / ₂	2 ¹¹ / ₁₆ ⓐ
3"	8 ¹ / ₂	4 ¹ / ₄	3 ⁵ / ₁₆ ⓐ
3 1/2"	9 ³ / ₁₆	4 ³ / ₄	3 ⁷ / ₁₆ ⓐ
4"	9 ³ / ₄	5 ¹ / ₄	3 ¹ / ₄ ⓐ



EZD drain and inspection seals

Hub size	a	b	c (drain cover)	Turning radius ⓐ
1/2"	4 ³ / ₁₆	3	3 ³ / ₈	2 ¹ / ₁₆
3/4"	4 ³ / ₁₆	3	3 ⁵ / ₈	2 ³ / ₁₆
1"	4 ¹⁵ / ₁₆	3 ¹ / ₂	3 ⁷ / ₈	2 ⁷ / ₁₆
1 1/4"	4 ¹⁵ / ₁₆	3 ¹ / ₂	4 ⁹ / ₁₆	2 ⁷ / ₈
1 1/2"	5 ³ / ₁₆	3 ¹ / ₂	4 ⁹ / ₁₆	2 ¹¹ / ₁₆
2"	7 ¹ / ₈	5 ³ / ₁₆	5 ¹ / ₄	3 ¹ / ₁₆

Authorised Distributor:



46, Jalan SS 22/21, Damansara Jaya,
 47400 Petaling Jaya,
 Selangor Darul Ehsan, Malaysia.

Email: ampmech@ampmech.com
 Website: www.ampmech.com

ⓐ With cover removed.