

# Champ FMVA LED floodlights

3,000 to 7,000 lumens

Cl. I, Div. 2, Groups A, B, C, D  
Cl. II, Div. 1, Groups E, F, G  
Cl. III & Simultaneous Presence

Marine & Wet Locations  
Type 4X; IP66

5L

## Applications:

- For general area illumination of locations with mounting heights from 9-15 feet
- Locations requiring continuous and consistent light levels in extreme ambient temperatures
- Extremely corrosive, wet, dusty, hot and/or cold conditions
- IP66, Type 4X, marine, wet locations and hose down environments
- Classified and hazardous locations
- Oil and gas refineries, drilling rigs, petrochemical facilities, food and beverage facilities, platforms, loading docks, tunnels, outdoor wall and stanchion mounted general area lighting

## Certifications and compliances:

### NEC/CEC:

- Class I, Division 2, Groups A, B, C, D
- Class II, Division 1, Groups E, F, G
- Class III & Simultaneous Presence
- Marine and wet locations, Type 4X, IP66
- ABS

### UL standards:

- UL844
- UL1598
- UL1598A
- UL8750

### CSA standard:

- C22.2 No. 137

### FCC part 15/ICES-005 ver. 5:

- CAN ICES-005 (A)/NMB-005 (A)

## Standard materials:

- Lamp housing and adapter – die cast aluminum with Corro-free epoxy powder coat
- Lens – heat- and impact-resistant glass (standard); diffused glass, clear polycarbonate, diffused polycarbonate (optional)
- Gaskets – silicone
- External hardware – stainless steel
- Factory sealed, no external seals required

## Electrical ratings:

Model	Weight lbs. (kg.)	Nominal lumens	Efficacy	Wattage	Voltage	Amps	Power factor	THD	Surge protection
FMVA-3-UNV1	14.70 (6.67)	3,400	111 lm/W	30.7	120-277 VAC, 50/60 Hz; 125-250 VDC	0.26	0.90	≤ 20%	6kV
FMVA-5-UNV1	14.70 (6.67)	5,200	116 lm/W	44.9	120-277 VAC, 50/60 Hz; 125-250 VDC	0.37	0.90	≤ 20%	6kV
FMVA-7-UNV1	14.70 (6.67)	6,800	115 lm/W	59.1	120-277 VAC, 50/60 Hz; 125-250 VDC	0.50	0.90	≤ 20%	6kV
FMVA-3-UNV3	14.70 (6.67)	3,400	111 lm/W	30.3	347-480 VAC, 50/60 Hz	0.09	0.90	≤ 20%	6kV
FMVA-5-UNV3	14.70 (6.67)	5,200	116 lm/W	43.7	347-480 VAC, 50/60 Hz	0.13	0.90	≤ 20%	6kV
FMVA-7-UNV3	14.70 (6.67)	6,800	115 lm/W	56.2	347-480 VAC, 50/60 Hz	0.16	0.90	≤ 20%	6kV



## LED system:

- High intensity discrete power emitters
- Cool white (5000K, 70 CRI) standard; warm white (3000K, 80 CRI) or neutral white (4000K, 70 CRI) (optional)
- NEMA 6x6 optical pattern
- Dimmable driver 0-10V

## Photometrics:

- Refer to [www.eaton.com](http://www.eaton.com) (under the Resources tab of each product family) for specific photometric IES files

# Champ FMVA LED floodlights

3,000 to 7,000 lumens

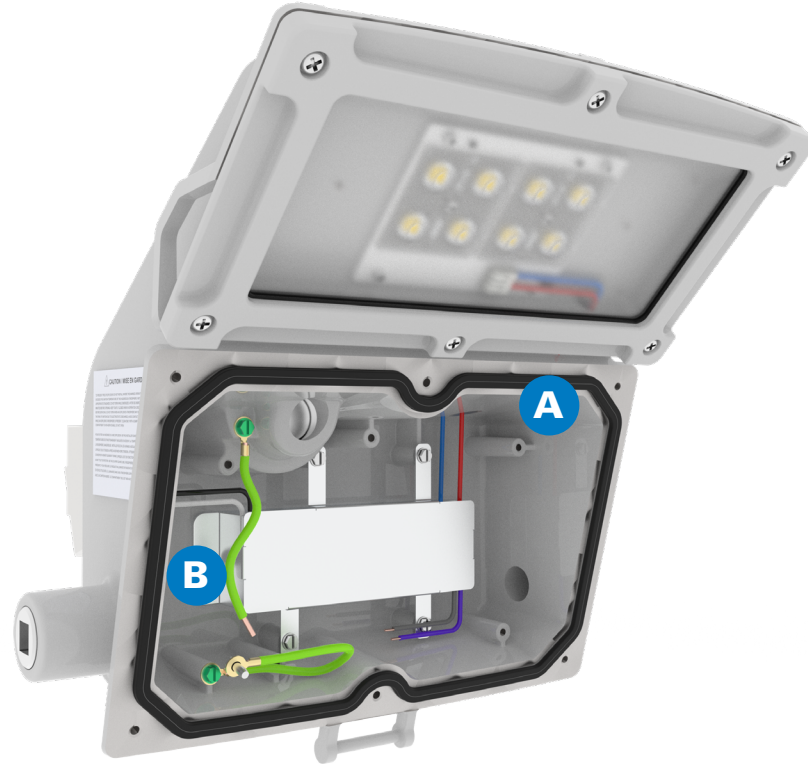
Cl. I, Div. 2, Groups A, B, C, D  
Cl. II, Div. 1, Groups E, F, G  
Cl. III & Simultaneous Presence

Marine & Wet Locations  
Type 4X; IP66

5L

## Design features:

Our Champ LED floodlight is a field-proven design that helps ensure safety, reliability and performance in harsh and hazardous areas. The new form factor is engineered to deliver more operational value and better total cost of ownership.



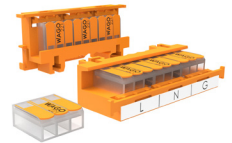
## INSTALLATION EASE

### A Easy access

- Removable covers for LED engine and driver compartments enable faster installation, access to wiring and field maintenance

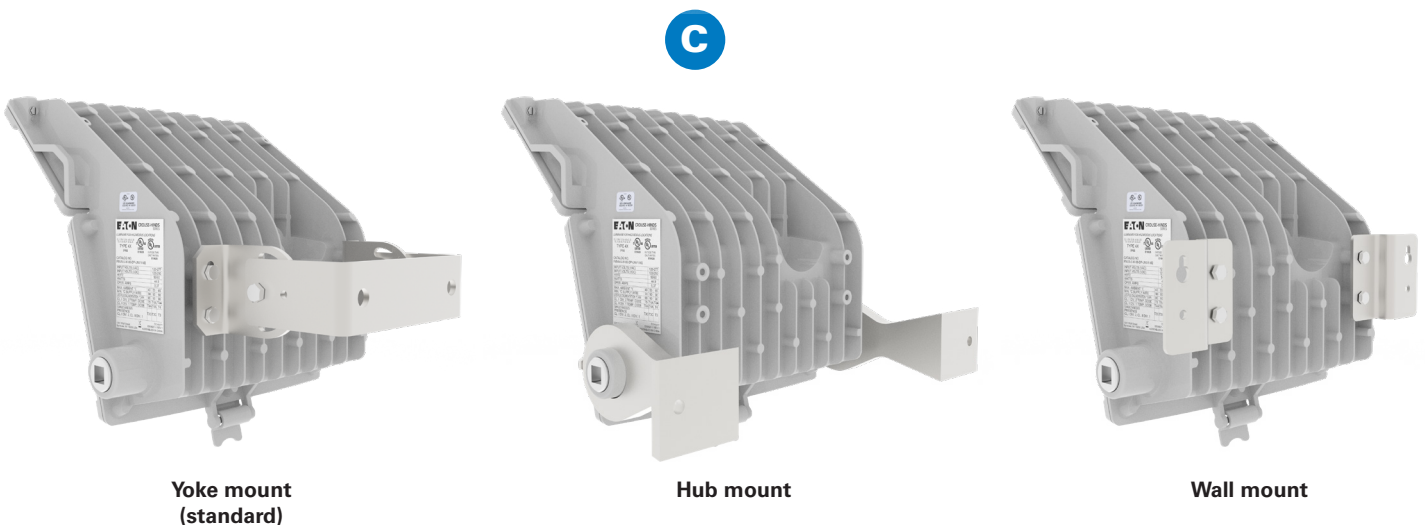
### B Lever lock connectors and terminal blocks

- Plug and play wiring simplifies and speeds installations



### C Versatile mounting options

- Standard yoke mount and optional wall and hub mounts help ensure that the fixtures are installed in the correct location to properly light your facility



# Champ FMVA LED floodlights

3,000 to 7,000 lumens

Cl. I, Div. 2, Groups A, B, C, D  
Cl. II, Div. 1, Groups E, F, G  
Cl. III & Simultaneous Presence

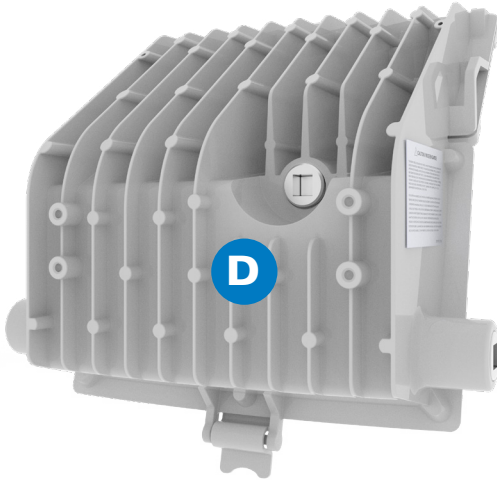
Marine & Wet Locations  
Type 4X; IP66

5L

## LONG-LIFE RELIABILITY

### D Thermal management

- Heat fins help ensure proper air flow and facilitate dust shedding for effective heat dissipation and thermal management of LED engine



### E Performance in extreme environments

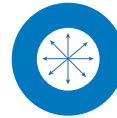
- Operating ambient: -40°C to 65°C
- Type 4X, IP66
- 6kV surge protection
- Corrosion-resistant aluminum housing with Corro-free epoxy powder coating
- Vibration tested in accordance with Section 33 of UL844
- Impact tested in accordance with Section 68 of UL844



## LIGHT PERFORMANCE & QUALITY

### F Custom optics & colors

- Directs light where you need it, helping eliminate gaps and dark spots
- Can potentially reduce the number of light fixtures required in your application
- 3000K (warm), 4000K (neutral) and 5000K (cool) color options available



### NEMA 6x6

Large circular distribution pattern for indoor and outdoor area lighting



**5000K – cool**  
Crisp, bright white with a blue hue



**3000K – warm**  
Warm white with a yellow hue

### G Multiple lens & epoxy powder coat options

- Clear glass lens standard; diffused glass and clear or diffused polycarbonate lenses (optional)
- Corro-free epoxy powder coat available in gray (standard) or white and bronze (optional)



White



Gray



Bronze

# Champ FMVA LED floodlights

3,000 to 7,000 lumens

Cl. I, Div. 2, Groups A, B, C, D  
Cl. II, Div. 1, Groups E, F, G  
Cl. III & Simultaneous Presence

Marine & Wet Locations  
Type 4X; IP66

5L

## Ordering information:

Part number example

**FMVA-3-W-T-66-DP-GV-UNV1-WH-PC2-M2**

# FMVA - 3 - W - T - 66 - DP - GV - UNV1 - WH - PC2 - M2

### Light source / intensity

<b>3L</b>	3,400 nominal lumens
<b>5L</b>	5,200 nominal lumens
<b>7L</b>	6,800 nominal lumens

### Color temperature

<b>BLANK</b>	5000K, 70 CRI (cool white)
<b>N<sup>A</sup></b>	4000K, 70 CRI (neutral white)
<b>W</b>	3000K, 80 CRI (warm white)

### Mounting

<b>BLANK</b>	Yoke mount
<b>H</b>	Hub mount
<b>T</b>	Wall mount

### Optics

<b>66</b>	6x6 beam spread
-----------	-----------------

### Lens material

<b>BLANK</b>	Clear glass
<b>DG</b>	Diffused glass
<b>PC</b>	Polycarbonate
<b>DP</b>	Diffused polycarbonate

### Guard and visor

<b>BLANK</b>	None
<b>G</b>	Bolt-on wire guard
<b>V</b>	Visor
<b>GV</b>	Bolt-on wire guard & visor

### Voltage

<b>UNV1</b>	120-277 VAC, 50/60 Hz; 125-250 VDC
<b>UNV3<sup>B</sup></b>	347-480 VAC, 50/60 Hz

### Paint

<b>BLANK</b>	Gray
<b>WH</b>	White
<b>BZ</b>	Bronze

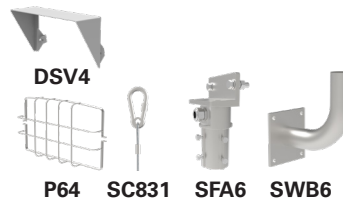
### Sensor

<b>BLANK</b>	No sensor included
<b>PC1<sup>C</sup></b>	120V photocell
<b>PC2<sup>D</sup></b>	208-277V photocell

## Accessories (ordered separately):

### Description

Description	Cat. #
• Visor.....	<b>DSV4<sup>D</sup></b>
• Bolt-on wire guard.....	<b>P64</b>
• Safety cable.....	<b>SC831</b>
• Floodlight slipfitter.....	<b>SFA6</b>
• Slipfitter wall mount adapter.....	<b>SWB6</b>



### Replacement driver kits (ordered separately)

<b>FMVA-3-5-7-UNV1-M2-DRIVER KIT</b>	UNV1 M2 replacement driver kit for FMVA-3, -5 and -7
<b>FMVA-3-5-7-UNV3-M2-DRIVER KIT</b>	UNV3 M2 replacement driver kit for FMVA-3, -5 and -7
<b>FMVA-3-5-7-UNV1-PC-M2-DRIVER KIT</b>	For use in models with photocell; UNV1 M2 replacement driver kit for FMVA-3, -5 and -7

<sup>A</sup> Consult customer service for lead time.

<sup>B</sup> Coming soon; consult customer service for lead time.

<sup>C</sup> For use with UNV1 models only.

<sup>D</sup> For use in Class I environments only.

# Champ FMVA LED floodlights

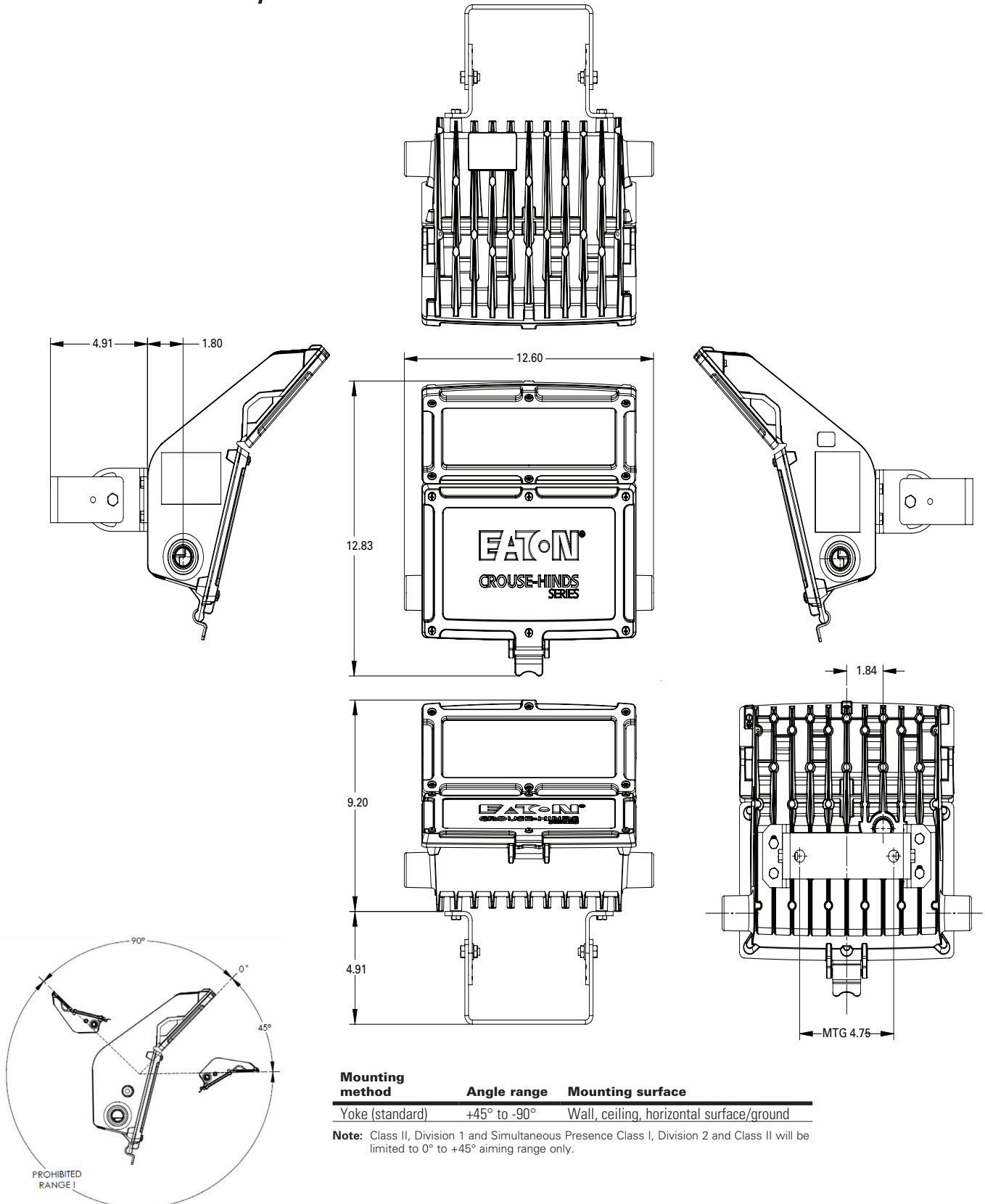
3,000 to 7,000 lumens

Cl. I, Div. 2, Groups A, B, C, D  
Cl. II, Div. 1, Groups E, F, G  
Cl. III & Simultaneous Presence

Marine & Wet Locations  
Type 4X; IP66

5L

## Dimensions – standard yoke mount:



# Champ FMVA LED floodlights

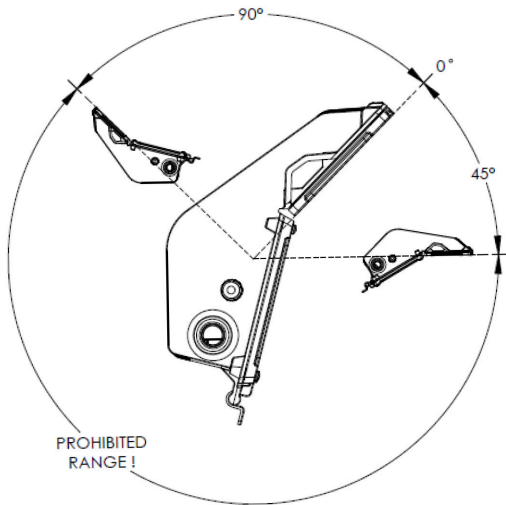
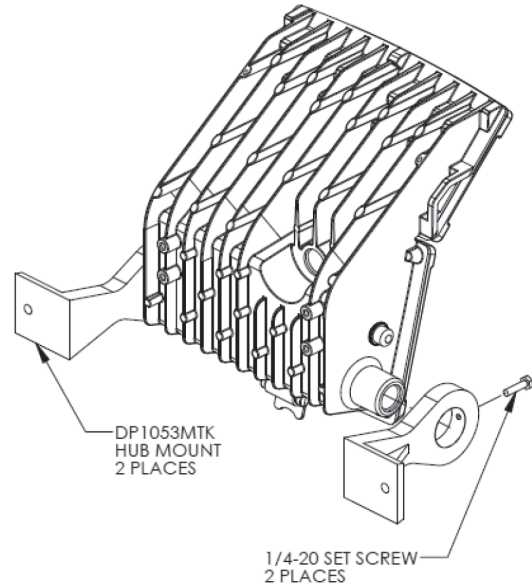
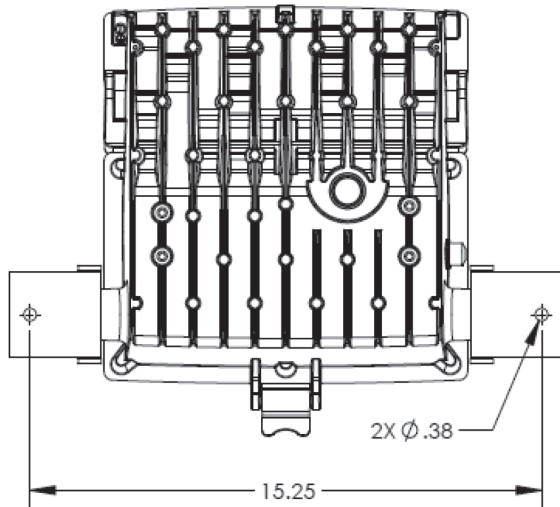
3,000 to 7,000 lumens

Cl. I, Div. 2, Groups A, B, C, D  
Cl. II, Div. 1, Groups E, F, G  
Cl. III & Simultaneous Presence

Marine & Wet Locations  
Type 4X; IP66

5L

## Dimensions – hub mount (optional):



Mounting method	Angle range	Mounting surface
Hub	+45° to -90°	Wall, ceiling, horizontal surface/ground

**Note:** Class II, Division 1 and Simultaneous Presence Class I, Division 2 and Class II will be limited to 0° to +45° aiming range only.

5L

# Champ FMVA LED floodlights

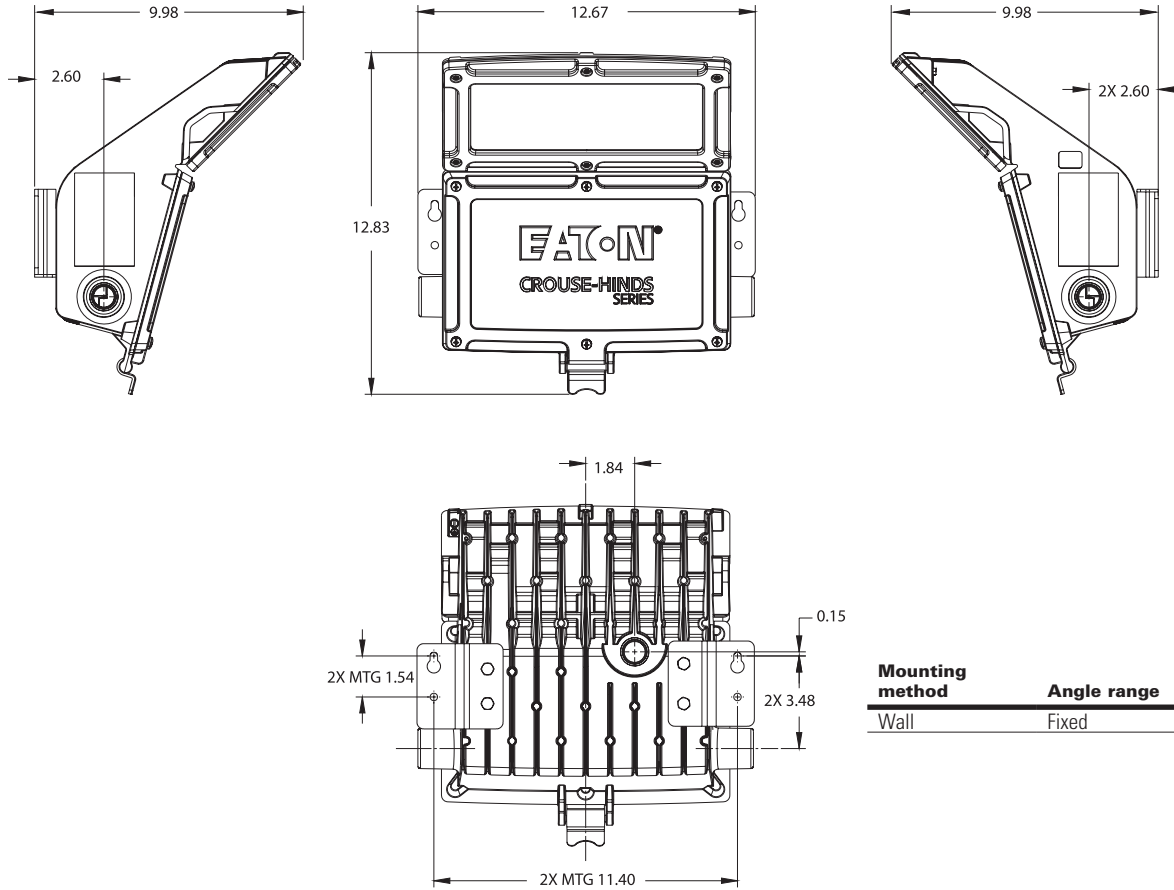
3,000 to 7,000 lumens

Cl. I, Div. 2, Groups A, B, C, D  
Cl. II, Div. 1, Groups E, F, G  
Cl. III & Simultaneous Presence

Marine & Wet Locations  
Type 4X; IP66

5L

## Dimensions – wall mount (optional):



Mounting method	Angle range	Mounting surface
Wall	Fixed	Wall

5L

Authorised Distributor:



46, Jalan SS 22/21, Damansara Jaya,  
47400 Petaling Jaya,  
Selangor Darul Ehsan, Malaysia.

Email: [ampmech@ampmech.com](mailto:ampmech@ampmech.com)

Website: [www.ampmech.com](http://www.ampmech.com)