

# EDS/EDSX fully assembled snap switches

Cl. I, Div. 1 & 2, Groups B, C, D  
 Cl. I, Zones 1 & 2  
 Cl. II, Div. 1, Groups E, F, G  
 Cl. III

Explosionproof  
 Dust-ignitionproof  
 Raintight  
 Wet Locations

2A

EDS/EDSX hazardous area snap switches are used with magnetic starters or contactors for control of motors. Snap switch control stations are factory sealed to prevent arcing of the enclosed device from causing ignition of a hazardous atmosphere external to the enclosure. Factory sealing eliminates the need for external seals, simplifying installation and reducing material and labor costs.

## Applications:

Snap switches are installed in a rigid metallic conduit system for surface mounting adjacent to, or remote from, equipment being controlled and are used:

- To help prevent arcing of enclosed device from causing ignition of a specific hazardous atmosphere, or atmospheres, external to the enclosure
- In industrial areas such as chemical plants, oil and gas refineries, paint and varnish manufacturing plants, gasoline bulk loading terminals, grain elevators, grain processing industries, coal processing or handling areas, or metal handling or finishing areas where atmosphere may contain hazardous gases and/or dust
- In non-hazardous areas where sturdy, durable enclosures are required

## Features:

- Small and compact in design
- Switches are enclosed in a unique sealing well with double flanges, which mate with the cover and the body
- Small, compact enclosures have accurately ground wide flanges on body, cover and sealing well for flamtight joints
- Wiring pigtails are factory sealed from under the sealing well
- Mounting lugs and taper tapped hubs with integral bushings
- Large captive screws for fastening cover to body (EDSX only)
- Lockout hole for padlock having 1/4" hasp is provided
- Threaded type shafts and bushings are used to ensure hazardous area protection

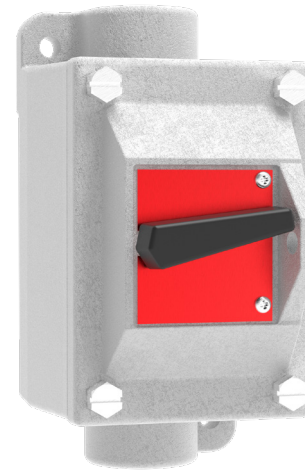
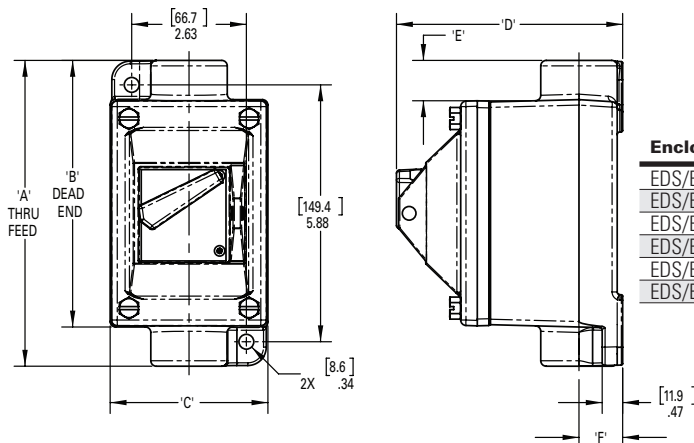
## Standard materials:

- Bodies and covers – Feraloy iron alloy or copper-free aluminum
- Shafts and shaft bushings – stainless steel
- Sealing enclosures – copper-free aluminum

## Standard finishes:

- Feraloy iron alloy – electrogalvanized and aluminum acrylic paint
- Copper-free aluminum – natural
- Stainless steel – natural

## Dimensions (in inches):



## Certifications and compliances:

### EDS:

#### NEC:

- Class I, Divisions 1 & 2, Groups B<sup>A</sup>, C, D
- Class I, Zones 1 & 2, IIA, IIB + H<sub>2</sub><sup>A</sup>
- Class II, Division 1, Groups E, F, G
- Class III

#### UL standards:

- UL1203, UL121201, UL508

#### CSA standards:

- C22.2 Nos. 14, 25, 213-17

#### Environmental ratings:

- NEMA 3
- -25°C to +40°C

### EDSX:

#### NEC:

- Class I, Division 2, Groups B, C, D
- Class I, Zone 2, IIA, IIB + H<sub>2</sub>
- Class II, Division 1, Groups E, F, G
- Class III

#### UL standards:

- UL1203, UL121201, UL508

#### CSA standards:

- C22.2 Nos. 14, 25, 213-17

#### Environmental ratings:

- NEMA 4X
- -40°C to +55°C; see de-rating table below

## 30A EDSX/DSDX snap switch temperature de-rating:

Ambient temp. (°C)	Single-gang	Multi-gang or cover only
40	30A	30A
45		27A
50	27A	24A
55	24A	21A

Note: This table applies only to 30A EDSX product.  
 No de-rating required for 20A EDSX product.

Enclosure type	Hub size	A	B	C	D max. ⓐ	E	F
EDS/EDSX single-gang, factory sealed	1/2"			3.50	5.25		
EDS/EDSX two-gang, factory sealed	1/2"	6.78	6.03	7.19	5.25	0.81	0.75
EDS/EDSX single-gang, factory sealed	3/4"			3.50	5.25		
EDS/EDSX two-gang, factory sealed	3/4"	6.78	6.03	7.19	5.25	0.81	0.88
EDS/EDSX single-gang, factory sealed	1"			3.50	5.25		
EDS/EDSX two-gang, factory sealed	1"	7.03	6.16	7.19	5.25	0.94	1.00

ⓐ For single-gang enclosures only. Manual motor starters, circuit breakers and EDS(C)-23 snap switches are not rated for Class I, Divisions 1 & 2, Group B.

# EDS/EDSX fully assembled snap switches

Cl. I, Div. 1 & 2, Groups B, C, D  
Cl. I, Zones 1 & 2  
Cl. II, Div. 1, Groups E, F, G  
Cl. III

Explosionproof  
Dust-ignitionproof  
Raintight  
Wet Locations

2A

## Ordering information – part number example:

EDSCX2129 SA

<b>EDS</b>	<b>C</b>	<b>X</b>	<b>2</b>	<b>1</b>	<b>29</b>	<b>SA</b>																					
<p><b>Series</b></p> <table border="1"> <tr> <td>EDS</td> <td>EDS series</td> </tr> </table> <p><b>Hub arrangement</b></p> <table border="1"> <tr> <td>BLANK</td> <td>Dead end</td> </tr> <tr> <td>C</td> <td>Through feed</td> </tr> </table> <p><b>NEMA protection</b></p> <table border="1"> <tr> <td>X</td> <td>Gasketed ⑤ NEMA 4X/IP66 Class I, Division 2, Groups B, C, D Class I, Zone 2, IIB + H<sub>2</sub></td> </tr> <tr> <td>BLANK</td> <td>NEMA 3R, Class I, Division 1</td> </tr> </table>	EDS	EDS series	BLANK	Dead end	C	Through feed	X	Gasketed ⑤ NEMA 4X/IP66 Class I, Division 2, Groups B, C, D Class I, Zone 2, IIB + H <sub>2</sub>	BLANK	NEMA 3R, Class I, Division 1			<p><b>Hub size</b></p> <table border="1"> <tr> <td>2</td> <td>3/4"</td> </tr> <tr> <td>3</td> <td>1"</td> </tr> </table> <p><b>Gang</b></p> <table border="1"> <tr> <td>1</td> <td>Single-gang</td> </tr> <tr> <td>2</td> <td>Two-gang</td> </tr> </table>	2	3/4"	3	1"	1	Single-gang	2	Two-gang						
EDS	EDS series																										
BLANK	Dead end																										
C	Through feed																										
X	Gasketed ⑤ NEMA 4X/IP66 Class I, Division 2, Groups B, C, D Class I, Zone 2, IIB + H <sub>2</sub>																										
BLANK	NEMA 3R, Class I, Division 1																										
2	3/4"																										
3	1"																										
1	Single-gang																										
2	Two-gang																										
					<p><b>Operators</b></p> <table border="1"> <tr> <th colspan="2">Front operated snap switch ④</th> </tr> <tr> <td>29</td> <td>Single cover assembly per gang, 1-pole, 20A 120/277 VAC (internal)</td> </tr> <tr> <td>8</td> <td>Single cover assembly per gang, 2-pole, 20A 120/277 VAC (internal)</td> </tr> <tr> <td>30</td> <td>Single cover assembly per gang, 3-way, 20A 120/277 VAC (internal)</td> </tr> <tr> <td>40</td> <td>Single cover assembly per gang, 4-way, 20A 120/277 VAC (internal)</td> </tr> <tr> <td>31</td> <td>Single cover assembly per gang, 1-pole, 30A 120/277 VAC (internal) - EDSX only</td> </tr> <tr> <td>32</td> <td>Single cover assembly per gang, 2-pole, 30A 120/277 VAC (internal) - EDSX only</td> </tr> <tr> <td>33</td> <td>Single cover assembly per gang, 3-way, 30A 120/277 VAC (internal) - EDSX only</td> </tr> <tr> <td>60</td> <td>Single cover assembly per gang, 3-pole, 30A 600 VAC (internal) - EDSX only</td> </tr> <tr> <td>23</td> <td>Single cover assembly per gang, 3-pole, 15A 125 VAC, 10A 250 VAC (internal) (not factory sealed) (X option not available)</td> </tr> </table>	Front operated snap switch ④		29	Single cover assembly per gang, 1-pole, 20A 120/277 VAC (internal)	8	Single cover assembly per gang, 2-pole, 20A 120/277 VAC (internal)	30	Single cover assembly per gang, 3-way, 20A 120/277 VAC (internal)	40	Single cover assembly per gang, 4-way, 20A 120/277 VAC (internal)	31	Single cover assembly per gang, 1-pole, 30A 120/277 VAC (internal) - EDSX only	32	Single cover assembly per gang, 2-pole, 30A 120/277 VAC (internal) - EDSX only	33	Single cover assembly per gang, 3-way, 30A 120/277 VAC (internal) - EDSX only	60	Single cover assembly per gang, 3-pole, 30A 600 VAC (internal) - EDSX only	23	Single cover assembly per gang, 3-pole, 15A 125 VAC, 10A 250 VAC (internal) (not factory sealed) (X option not available)		
Front operated snap switch ④																											
29	Single cover assembly per gang, 1-pole, 20A 120/277 VAC (internal)																										
8	Single cover assembly per gang, 2-pole, 20A 120/277 VAC (internal)																										
30	Single cover assembly per gang, 3-way, 20A 120/277 VAC (internal)																										
40	Single cover assembly per gang, 4-way, 20A 120/277 VAC (internal)																										
31	Single cover assembly per gang, 1-pole, 30A 120/277 VAC (internal) - EDSX only																										
32	Single cover assembly per gang, 2-pole, 30A 120/277 VAC (internal) - EDSX only																										
33	Single cover assembly per gang, 3-way, 30A 120/277 VAC (internal) - EDSX only																										
60	Single cover assembly per gang, 3-pole, 30A 600 VAC (internal) - EDSX only																										
23	Single cover assembly per gang, 3-pole, 15A 125 VAC, 10A 250 VAC (internal) (not factory sealed) (X option not available)																										
					<p><b>Options and legend markings</b></p> <table border="1"> <tr> <td>SA</td> <td>Bodies and covers aluminum - suffix required for "X" (gasketed, NEMA 4X ⑤/IP66) configuration</td> </tr> <tr> <td>S752</td> <td>Exterior epoxy powder coat finish</td> </tr> </table>	SA	Bodies and covers aluminum - suffix required for "X" (gasketed, NEMA 4X ⑤/IP66) configuration	S752	Exterior epoxy powder coat finish																		
SA	Bodies and covers aluminum - suffix required for "X" (gasketed, NEMA 4X ⑤/IP66) configuration																										
S752	Exterior epoxy powder coat finish																										

### Catalog rules / notes:

- ④ 1-, 2- and 3-pole snap switches are marked ON-OFF; 3- and 4-way snap switches have blank stamping boxes.
- ⑤ X includes gasketing and o-rings on assembly to provide a Cl. I, Div. 2, Group B, C, D, Cl. II, Div. 1, Group E, F, G NEMA 4X/IP66 corrosion-resistant rating for aluminum only (suffix SA required).  
Valid only for front operated snap switch (29, 8, 30, 40, 31, 32, 33, 60).

## Common EDSX catalog numbers:

EDSX snap switches with 3/4" hub ⑥	Cat. # Dead end	Cat. # Through feed
Single cover assembly per gang, 1-pole, 20 amp (internal)	EDSX2129 SA	EDSCX2129 SA
Single cover assembly per gang, 3-way, 20 amp (internal)	EDSX2130 SA	EDSCX2130 SA
Single cover assembly per gang, 2-pole, 20 amp (internal)	EDSX218 SA	EDSCX218 SA
Single cover assembly per gang, 4-way, 20 amp (internal)	EDSX2140 SA	EDSCX2140 SA
Single cover assembly per gang, 1-pole, 30 amp (internal)	EDSX2131 SA	EDSCX2131 SA
Single cover assembly per gang, 2-pole, 30 amp (internal)	EDSX2132 SA	EDSCX2132 SA
Single cover assembly per gang, 3-way, 30 amp (internal)	EDSX2133 SA	EDSCX2133 SA
Single cover assembly per gang, 3-pole, 30 amp 600 VAC (internal)	EDSX2160 SA	EDSCX2160 SA

Authorised Distributor:



46, Jalan SS 22/21, Damansara Jaya,  
47400 Petaling Jaya,  
Selangor Darul Ehsan, Malaysia.

Email: [ampmech@ampmech.com](mailto:ampmech@ampmech.com)  
Website: [www.ampmech.com](http://www.ampmech.com)

⑥ Common catalog numbers shown with 3/4" hub. To order a different hub size, replace the first numeral '2' with '1' for 1/2" hub or '3' for 1" hub.