

# EFD explosionproof snap switches

30A, fully assembled devices

Cl. I, Div. 1 & 2, Groups C, D  
Cl. II, Div. 1, Groups E, F, G  
Cl. II, Div. 2, Groups F, G  
Cl. III  
NEMA 3, 7BCD, 9EFG

Explosionproof  
Dust-ignitionproof  
Raintight  
Wet locations

2A

## Applications:

EFD snap switches are installed in a rigid metallic conduit system for surface mounting adjacent to, or remote from, equipment being controlled and are used:

- In areas which are hazardous due to the presence of flammable vapors, gases or highly combustible dusts
- To prevent arcing of enclosed switch from causing ignition of a specific hazardous atmosphere, or atmospheres, external to the enclosure
- In industrial areas, such as chemical plants, oil and gas refineries, paint and varnish manufacturing plants, gasoline bulk loading terminals, grain elevators, grain processing industries, coal processing or handling areas or metal handling or finishing areas where atmosphere may contain hazardous gases and/or dust
- In non-hazardous areas where sturdy, durable enclosures are required

## Features:

- Small and compact in design
- Enclosures used with snap switches
- Mounting lugs and taper tapped hubs with integral bushings
- Large machine screws for fastening covers to bodies
- Lockout hole for padlock having 1/4" hasp is provided
- Threaded type shafts are used to ensure flametightness

## Certifications and compliances:

### NEC/CEC:

- Class I, Divisions 1 & 2, Groups C, D
- Class II, Division 1, Groups E, F, G
- Class II, Division 2, Groups F, G
- Class III

### UL standard:

- UL1203

### CSA standard:

- C22.2 No. 30

### Environmental ratings:

- NEMA/EEMAC 3, 7BCD, 9EFG

## Standard materials:

- Bodies and covers – Feraloy iron alloy or copper-free aluminum
- Operating shafts – stainless steel
- Handle – aluminum

## Standard finishes:

- Feraloy iron alloy – electrogalvanized and aluminum acrylic paint
- Copper-free aluminum – natural
- Stainless steel – natural

## Options:

Description	Suffix
• Copper-free aluminum bodies and covers .....	<b>SA</b>



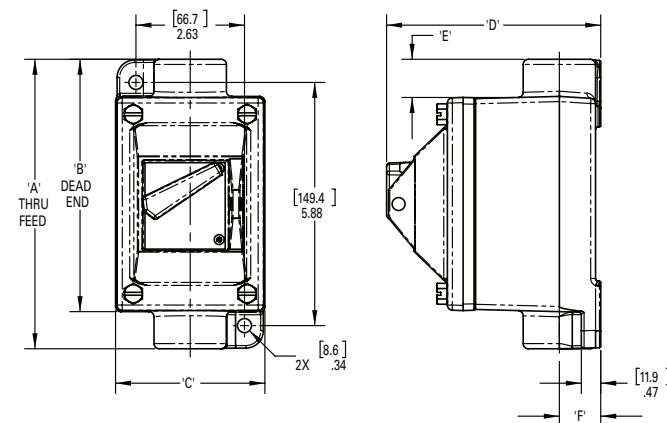
2A

## Electrical ratings:

Complies with UL snap switch test requirements as follows:

Type of test	AC rated (only) switch
Overload	Rated amperage +380% Power factor 0.40 - 0.50 100 cycles, 6-10 cycles per minute
Non-inductive endurance	10,000 cycles, 18-24 cycles per minute at rated current – 0.98 min. P.F.
Inductive endurance	10,000 cycles, 18-24 cycles per minute – 0.75 - 0.80 P.F.
Tungsten filament lamp endurance	10,000 cycles, 6-10 cycles per minute at rated current and 120V
Temperature rise	Not to exceed 30°C
Dielectric withstand	1,500V

## Dimensionso (in inches):



Enclosure type	Hub size	A	B	C	D max.	E	F
EFD single-gang, non-factory sealed	1/2"	6.78	6.03	3.50	5.00	0.81	0.75
EFD two-gang, non-factory sealed	1/2"	6.78	6.03	7.19	5.00	0.81	0.88
EFD single-gang, non-factory sealed	3/4"	6.78	6.03	3.50	5.00	0.81	0.88
EFD two-gang, non-factory sealed	3/4"	6.78	6.03	7.19	5.00	0.81	0.88
EFD single-gang, non-factory sealed	1"	7.03	6.16	3.50	5.00	0.94	1.00
EFD two-gang, non-factory sealed	1"	7.03	6.16	7.19	5.00	0.94	1.00

<sup>A</sup>Dimensions are approximate, not for construction purposes.

# EFD explosionproof snap switches

30A, fully assembled devices

Cl. I, Div. 1 & 2, Groups C, D  
 Cl. II, Div. 1, Groups E, F, G  
 Cl. II, Div. 2, Groups F, G  
 Cl. III  
 NEMA 3, 7BCD, 9EFG

Explosionproof  
 Dust-ignitionproof  
 Raintight  
 Wet locations

2A



Dead end



Through feed

2A

## Ordering information:

Hub size	Style	Amperes <sup>B</sup>		Single-gang		Replacement switch	Two-gang <sup>C</sup>	
		120 VAC	277 VAC	Cat. # Dead end	Cat. # Through feed		Cat. # Dead end	Cat. # Through feed
1"	1-pole	30 <sup>D</sup>	30	EFD3591	EFDC3591 <sup>E</sup>	Consult factory	EFD3691	EFDC3691 <sup>E</sup>
1"	2-pole	30 <sup>D</sup>	30	EFD3593	EFDC3593 <sup>E</sup>	Consult factory		EFDC3693 <sup>E</sup>
1"	3-way	30 <sup>D</sup>	30	EFD3594	EFDC3594	Consult factory	EFD3694	EFDC3694

<sup>B</sup> See table on previous page for AC rated switch information.

<sup>C</sup> Combinations of switches can be furnished.

<sup>D</sup> Not factory sealed.

<sup>E</sup> ON-OFF standard marking for 1-pole and 2-pole units.

Authorised Distributor:



46, Jalan SS 22/21, Damansara Jaya,  
 47400 Petaling Jaya,  
 Selangor Darul Ehsan, Malaysia.

Email: [ampmech@ampmech.com](mailto:ampmech@ampmech.com)  
 Website: [www.ampmech.com](http://www.ampmech.com)