

## GHG 263 - Ex-safety switches 40 A



3-pole



3-pole EMERGENCY STOP



6-pole



6-pole EMERGENCY STOP

### Technical data

#### Ex-safety switches 40 A

|  |  |                                |
|--|--|--------------------------------|
| Marking accd. to 2014/34/EU                                  | Ⓔ II 2 G Ex ed ia IIC T6 / Ⓔ II 2 D Ex tD A21 IP66 T80 °C  |                                |
| EC-Type Examination Certificate                              | PTB 99 ATEX 1161   |                                |
| IECEx Certificate of Conformity                              | BKI 07.0012  |                                |
| Marking accd. to IECEx                                       | Ex ed ia IIC T6<br>Ex tD A21 IP66 T53 °C   |                                |
| Permissible ambient temperature                              | -20 °C up to +40 °C <sup>1)</sup>  |                                |
| Rated voltage  | up to max. 690 V   |                                |
| Rated current  | max. 40 A  |                                |
| Frequency  | 50/60 Hz   |                                |
| Rated making/breaking capacity AC-3 accd. EN 60947-3         | U <sub>b</sub> 230 V / I <sub>b</sub> 40 A<br>U <sub>b</sub> 400 V / I <sub>b</sub> 40 A<br>U <sub>b</sub> 500 V / I <sub>b</sub> 40 A<br>U <sub>b</sub> 690 V / I <sub>b</sub> 32 A |                                |
| Rated making-/ breaking capacity DC 1/DC 23 accd. EN 60947-3 | U <sub>b</sub> 60 V / I <sub>b</sub> 40 A (1 contact)<br>U <sub>b</sub> 120 V / I <sub>b</sub> 40 A (2 contacts in series)   |                                |
| Switch-disconnector for maintenance accd. to IEC 62262-1     | Class 1  |                                |
| Back-up fuse   | up to 400 V AC: 80 A gG<br>up to 500 V AC: 80 A gG<br>up to 690 V AC: 63 A gG  |                                |
| Connecting terminals   | main contact   | 2 x 16 mm <sup>2</sup>         |
|  | auxiliary/signal contact   | 2 x 4 mm <sup>2</sup> (option) |
| Protection class   | I  |                                |
| Degree of protection accd. to EN 60529                       | IP66   |                                |
| Cable glands/enclosure drilling                              | M25 cable gland see ordering details<br>M40 cable gland see ordering details<br>Option: metal flange with thread   |                                |
| Weight   | 3-pole   | approx. 2.30 kg                |
|  | 4-pole   | approx. 2.75 kg                |
|  | 6-pole   | approx. 6.50 kg                |
| Enclosure material   | glass-fibre reinforced polyester   |                                |
| Enclosure colour   | black  |                                |
| Auxiliary contact (option)                                   | 1 x NO making - lagging; breaking - leading<br>1 x NC (only 6-pole version) making - leading; breaking - lagging   |                                |
| Padlocking facility  | can be locked in OFF position with 3 commercially available padlocks (Ø max. 6 mm)   |                                |

<sup>1)</sup> Other ambient temperatures on request



6-pole EMERGENCY STOP



6-pole



3-pole EMERGENCY STOP



3-pole

Ordering details

| Content                          | Cable gland       | Auxiliary contact | Order No.          |
|----------------------------------|-------------------|-------------------|--------------------|
| <b>Safety switch 40 A 3-pole</b> |                   |                   |                    |
| 3-pole                           | 2 x M40 / 1 x M25 | 1 NO              | GHG 263 2301 R0001 |
| 3-pole                           | 2 x M40           | none              | GHG 263 2303 R0001 |
| 3-pole EMERGENCY STOP            | 2 x M40 / 1 x M25 | 1 NO              | GHG 263 2301 R0002 |
| 3-pole EMERGENCY STOP            | 2 x M40           | none              | GHG 263 2303 R0002 |
| <b>Safety switch 40 A 4-pole</b> |                   |                   |                    |
| 4-pole                           | 2 x M25           | 1 NO + 1 NC       | GHG 263 2301 R0007 |
| 4-pole                           | 2 x M25           | none              | GHG 263 2303 R0003 |
| 4-pole                           | 2x M40 / 1 x M25  | 1 NO + 1 NC       | GHG 263 2301 R0009 |
| 4-pole                           | 2x M40            | none              | GHG 263 2303 R0004 |
| <b>Safety switch 40 A 6-pole</b> |                   |                   |                    |
| 6-pole                           | 4 x M40 / 1 x M25 | 1 NO + 1 NC       | GHG 263 0050 R0001 |
| 6-pole                           | 4 x M25           | 1 NO + 1 NC       | GHG 263 0050 R0006 |
| 6-pole EMERGENCY STOP            | 4 x M40 / 1 x M25 | 1 NO + 1 NC       | GHG 263 0050 R0002 |

Customized version on request, auxiliary contacts in Ex ia available

Accessories

| Type   | Application           | Fixing method | Order No.          |
|--|-----------------------|---------------|--------------------|
| <b>Mounting plate for Ex-safety switches 40 A 3-pole</b> |                       |               |                    |
| Size 3   | Wall mounting         | snap on       | GHG 610 1953 R0118 |
| Size 3   | Pipe clamp            | snap on       | GHG 610 1953 R0110 |
| Size 3   | Trellis-work mounting | snap on       | GHG 610 1953 R0118 |

| Type   | Application    | Fixing method          | Order No.          |
|--|----------------|------------------------|--------------------|
| <b>Mounting plate for Ex-safety switches 40 A 6-pole</b> |                |                        |                    |
| Size 3   | 2 x pipe clamp | screw-on <sup>1)</sup> | GHG 610 1953 R0110 |

<sup>1)</sup> observe mounting distance

| Type   | Application | OU | Order No.          |
|--|-------------|----|--------------------|
| <b>Accessories for mounting plates</b>   |             |    |                    |
| Label for label holder and mounting plates size 4 and size 5                         |             | 10 | GHG 610 1953 R0011 |
| Blind plug for mounting plate size 4 and size 5 1 set = 1 pcs.                       |             | 10 | GHG 610 1953 R0134 |
| Plug-in fastener for CEAG modules with 5.5 mm and 11 mm mounting feet 1 set = 4 pcs. |             | 10 | GHG 610 1953 R0041 |
| Mounting set for pipes 1" (of 27 - 30 mm) for mounting plates with pipe fixing       |             | 10 | GHG 610 1953 R0020 |

| Type            | Application               | OU | Order No.          |
|-----------------|---------------------------|----|--------------------|
| <b>Canopies</b> |                           |    |                    |
| Size 4          | for mounting plate size 4 | 1  | GHG 610 1955 R0107 |

Please pay attention that only order units (OU) according to the ordering details can be delivered.

**GHG 263 - Ex-safety switches 40 A**



**3-pole**



**3-pole EMERGENCY STOP**



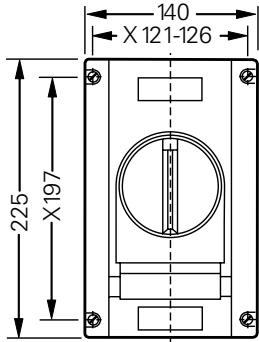
**6-pole**



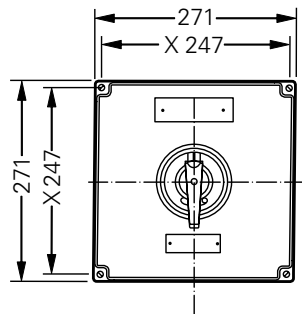
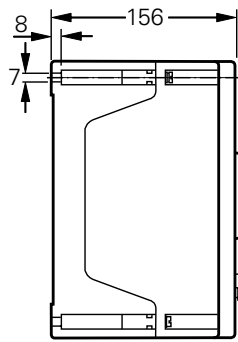
**6-pole EMERGENCY STOP**

**Dimension drawing**

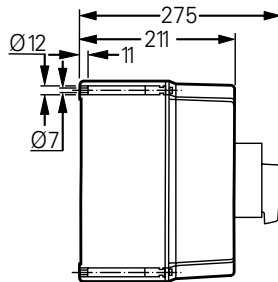
**5**



**3/4-pole**



**6-pole**



**X = fixing dimensions**

Authorised Distributor:



46, Jalan SS 22/21, Damansara Jaya,  
47400 Petaling Jaya,  
Selangor Darul Ehsan, Malaysia.  
Email: [ampmech@ampmech.com](mailto:ampmech@ampmech.com)  
Website: [www.ampmech.com](http://www.ampmech.com)

Dimensions in mm