



6-pole EMERGENCY STOP



6-pole



3/4-pole EMERGENCY STOP



3/4-pole

Technical data

Ex-safety switches 80 A

Marking accd. to 2014/34/EU	Ⓔ II 2 G Ex db e [ia/ib] IIB/IIC T5/T6 Gb / Ⓔ II 2 D Ex tb IIIC T80 °C Db	
EC-Type Examination Certificate	BVS 15 ATEX E 125 X	
IECEx Certificate of Conformity	IECEx BVS 15.0103X	
Marking accd. to IECEx	Ex db e [ia/ib] IIB/IIC T5/T6 Gb Ex tb III C T80°C Db	
Permissible ambient temperature	-20 °C up to +40 °C ¹⁾	
Rated voltage	up to max. 690 V	
Rated current	max. 80 A	
Frequency	50/60 Hz	
Rated making/breaking capacity AC-3 accd. EN 60947-3	U _e 230 V / I _e 80 A U _e 400 V / I _e 80 A U _e 500 V / I _e 80 A U _e 690 V / I _e 63 A	
Rated making-/ breaking capacity DC 1/DC 23 accd. EN 60947-3	U _e 60 V / I _e 80 A (1 contact) U _e 120 V / I _e 80 A (2 contacts in series)	
Switch-disconnector for maintenance accd. to IEC 62262-1	Class 1	
Back-up fuse	up to 400 V AC: 160 A gG up to 500 V AC: 160 A gG up to 690 V AC: 125 A gG	
Connecting terminals	main contact	2 x 25 mm ²
	auxiliary/signal contact	2 x 4 mm ² (option)
Protection class	I	
Degree of protection accd. to EN 60529	IP66	
Cable glands/enclosure drilling	M25 cable gland see ordering details M32 cable gland see ordering details M50 cable gland see ordering details Option: metal flange with thread	
Weight	3/4-pole	approx. 6.5 kg
	6-pole	approx. 9.0 kg
Enclosure material	glass-fibre reinforced polyester	
Enclosure colour	black	
Auxiliary contact (option)	1 x NO making - lagging; breaking - leading 1 x NC making - leading; breaking - lagging	
Padlocking facility	can be locked in OFF position with 3 commercially available padlocks (Ø max. 6 mm)	

¹⁾ Other ambient temperatures on request

Authorised Distributor:



46, Jalan SS 22/21, Damansara Jaya,
47400 Petaling Jaya,
Selangor Darul Ehsan, Malaysia.
Email: ampmech@ampmech.com
Website: www.ampmech.com

GHG 264 - Ex-safety switches 80 A



3/4-pole



3/4-pole EMERGENCY STOP



6-pole



6-pole EMERGENCY STOP

Ordering details

Content	Cable gland	Auxiliary contact	Order No.
Safety switch 80 A 3-pole			
3-pole	2 x M50 / 1 x M25	1 NO + 1 NC	GHG 264 0020 R0001
3-pole	2 x M50	none	GHG 264 0025 R0001
3-pole EMERGENCY STOP	2 x M50 / 1 x M25	1 NO + 1 NC	GHG 264 0020 R0002
3-pole EMERGENCY STOP	2 x M50	none	GHG 264 0025 R0002
Safety switch 80 A 4-pole			
4-pole	2 x M50 / 1 x M25	1 NO + 1 NC	GHG 264 0020 R0012
4-pole	2 x M50	none	GHG 264 0025 R0004
4-pole	2 x M32	1 NO + 1 NC	GHG 264 0020 R0006
4-pole	2 x M32	none	GHG 264 0025 R0003
Safety switch 80 A 6-pole			
6-pole	4 x M50 / 1 x M25	1 NO + 1 NC	GHG 264 0021 R0001
6-pole EMERGENCY STOP	4 x M50 / 1 x M25	1 NO + 1 NC	GHG 264 0021 R0002

Customized version on request, auxiliary contacts in Ex ia available

Accessories

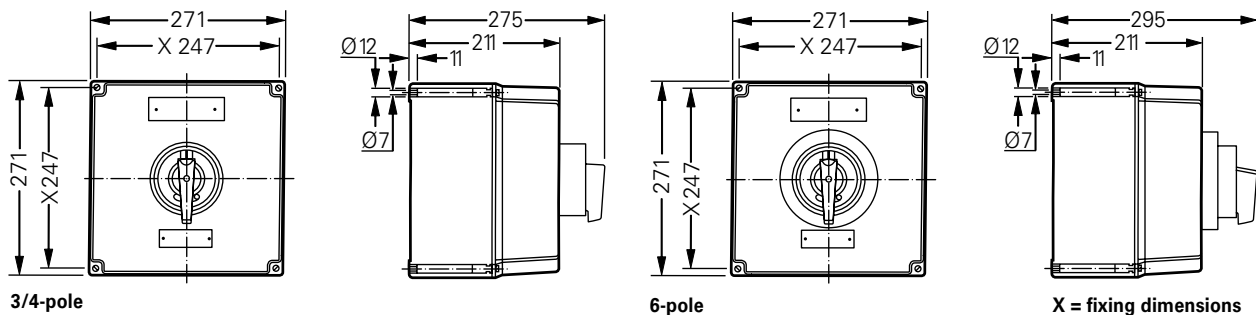
Type	Application	Fixing method	Order No.
Mounting plate for Ex-safety switches 80 A 3/4- and 6-pole			
Size 3	2 x pipe clamp	screw-on ¹⁾	GHG 610 1953 R0110

¹⁾ observe mounting distance

Type	OU	Order No.
Accessories for mounting plates		
Type label for label holder and mounting plates size 4 and size 5	10	GHG 610 1953 R0011
Mounting set for pipes 1" (of 27 - 30 mm) for mounting plates with pipe fixing	10	GHG 610 1953 R0020

Please pay attention that only order units (OU) according to the ordering details can be delivered.

Dimension drawing



Dimensions in mm