

# 5.5

## EXKO 7318 Ex-Main Circuit Breakers

Rated current from 63 A - 630 A

### Safety for your protection

5 CEAG main circuit breakers enable making or breaking of circuits under normal operating conditions as well as cutting in, briefly conducting and cutting out currents under exceptional conditions, such as short circuiting.

### Full AC-3 motor switching capacities

Full AC-3 motor switching capacities and isolating properties according to EN 60947-4-1 with compulsory opening of the main current contacts according to EN 60204-1 are just some of the eminent features offered by CEAG power circuit breakers. Versions up to 180 A guarantee the optional high degree of protection IP65. The switch position is always clearly indicated and easily seen.

The main current switches feature an installation-friendly design and easily accessible connection terminals.

Metal versions can be equipped with metal screw-on flanges allowing simple integration in system as well as cost-efficient later extensions. These can be optionally supplied with snap-on moulded plastic or brass flanges.

The described power circuit breakers are also available for Explosion Group IIB, which is sufficient for many of the applications.



### Features

- Full AC-3 motor switching capacity
- High degree of IP protection
- Simple integration into systems



EXKO 73 1813 A

Technical data

Ex-main circuit breaker 63 A

Marking accd. to 2014/34/EU		Ⓢ II 2 G Ex de ia/ib [ia/ib] IIC T4 – T6 <sup>1)</sup> Ⓢ II 2 D IP66 T80 °C / T95 °C / T130 °C
EC-Type Examination Certificate		PTB 99 ATEX 1057
IECEX Certificate of Conformity		IECEX PTB 12.0026
Marking accd. to IECEx		Ex d IIC T6, T5 or T4 Gb / Ex de IIC T6, T5 or T4 Gb Ex d IIB T6, T5 or T4 Gb / Ex de IIB T6, T5 or T4 Gb
Permissible ambient temperature		–20 °C up to +40 °C <sup>2)</sup>
Rated voltage		up to max. 690 V
Rated current		max. 63 A
Frequency		50/60 Hz
Rated making/breaking capacity AC-3 accd. EN 60947-3		U <sub>e</sub> 230 V / I <sub>e</sub> 63 A U <sub>e</sub> 400 V / I <sub>e</sub> 63 A U <sub>e</sub> 500 V / I <sub>e</sub> 63 A U <sub>e</sub> 690 V / I <sub>e</sub> 63 A
Back-up fuse		up to 400 V AC: 80 A gG up to 500 V AC: 80 A gG up to 690 V AC: 80 A gG
Connecting terminals	main contact	2 x 35 mm <sup>2</sup>
Protection class		I
Degree of protection accd. to EN 60529		IP54 (Option IP65)
Cable glands/enclosure drilling		M50 cable gland see ordering details
Weight	3-pole 4-pole	approx. 17 kg approx. 18 kg
Enclosure material		aluminium, powder-coated polyester connection box steel, powder-coated
Colour	Enclosure Cover	grey (RAL 7032) dark grey (RAL 7022)

<sup>1)</sup> Also available with Explosion Group IIB

<sup>2)</sup> Other ambient temperatures on request

## EXKO 7318 Ex-main circuit breakers 63 A



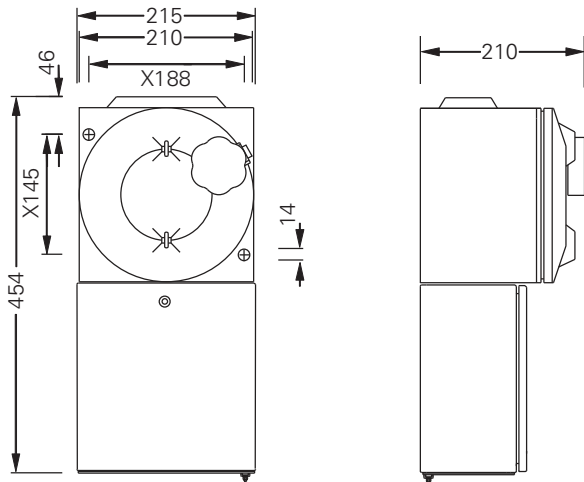
EXKO 73 1813 A

### Ordering details

5	Content	Cable gland	Order No.
	<b>Ex-main circuit breaker 63 A</b>		
	3-pole	2 x M50	<b>EXKO 73 1813 A0001</b>
	4-pole	2 x M50	<b>EXKO 73 1814 A0001</b>

Customized version on request

### Dimension drawing



X = fixing dimensions

Dimensions in mm



EXKO 73 1813 B

Technical data

Ex-main circuit breaker 125 A

Marking accd. to 2014/34/EU		Ⓢ II 2 G Ex de ia/ib [ia/ib] IIC T4 – T6 <sup>1)</sup> Ⓢ II 2 D IP66 T80 °C / T95 °C / T130 °C
EC-Type Examination Certificate		PTB 99 ATEX 1057
IECEX Certificate of Conformity		IECEX PTB 12.0026
Marking accd. to IECEx		Ex d IIC T6, T5 or T4 Gb / Ex de IIC T6, T5 or T4 Gb Ex d IIB T6, T5 or T4 Gb / Ex de IIB T6, T5 or T4 Gb
Permissible ambient temperature		–20 °C up to +40 °C <sup>2)</sup>
Rated voltage		up to max. 690 V
Rated current		max. 125 A
Frequency		50/60 Hz
Rated making/breaking capacity AC-3 accd. EN 60947-3		U <sub>e</sub> 230 V / I <sub>b</sub> 125 A U <sub>e</sub> 400 V / I <sub>b</sub> 125 A U <sub>e</sub> 500 V / I <sub>b</sub> 125 A U <sub>e</sub> 690 V / I <sub>b</sub> 125 A
Back-up fuse		up to 400 V AC: 160 A gG up to 500 V AC: 160 A gG up to 690 V AC: 160 A gG
Connecting terminals	main contact	50/35 mm <sup>2</sup>
Protection class		I
Degree of protection accd. to EN 60529		IP54 (optional IP65)
Cable glands/enclosure drilling		M50 cable gland see ordering details
Weight	3-pole 4-pole	approx. 48 kg approx. 52 kg
Enclosure material		aluminium, powder-coated polyester connection box steel, powder-coated
Colour	Enclosure Cover	grey (RAL 7032) dark grey (RAL 7022)

<sup>1)</sup> Also available with Explosion Group IIB

<sup>2)</sup> Other ambient temperatures on request

**EXKO 7318 Ex-main circuit breakers 125 A**



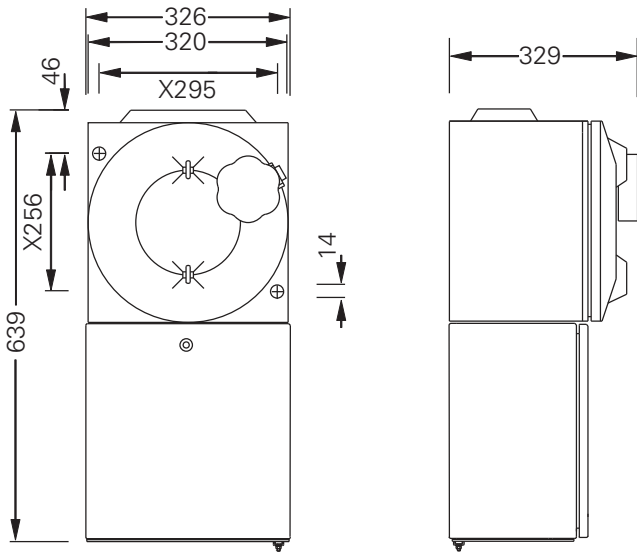
**EXKO 73 1813 B**

**Ordering details**

**5**

Content	Cable gland	Order No.
<b>Ex-main circuit breaker 125 A</b>		
3-pole	2 x M50	<b>EXKO 73 1813 B0001</b>
4-pole	2 x M50	<b>EXKO 73 1814 B0001</b>
Customized version on request		

**Dimension drawing**



**X = fixing dimensions**

Dimensions in mm



EXKO 73 1813 C

Technical data

Ex-main circuit breaker 160 A

Marking accd. to 2014/34/EU		Ⓢ II 2 G Ex de ia/ib [ia/ib] IIC T4 ... T6 <sup>1)</sup> Ⓢ II 2 D IP66 T80 °C / T95 °C / T130 °C
EC-Type Examination Certificate		PTB 99 ATEX 1057
IECEX Certificate of Conformity		IECEX PTB 12.0026
Marking accd. to IECEx		Ex d IIC T6, T5 or T4 Gb / Ex de IIC T6, T5 or T4 Gb Ex d IIB T6, T5 or T4 Gb / Ex de IIB T6, T5 or T4 Gb
Permissible ambient temperature		-20 °C up to +40 °C <sup>2)</sup>
Rated voltage		up to max. 690 V
Rated current		max. 160 A
Frequency		50/60 Hz
Rated making/breaking capacity AC-3 accd. EN 60947-3		U <sub>e</sub> 230 V / I <sub>b</sub> 160 A U <sub>e</sub> 400 V / I <sub>b</sub> 160 A U <sub>e</sub> 500 V / I <sub>b</sub> 160 A U <sub>e</sub> 690 V / I <sub>b</sub> 160 A
Back-up fuse		up to 400 V AC: 210 A gG up to 500 V AC: 210 A gG up to 690 V AC: 210 A gG
Connecting terminals	main contact	95/50 mm <sup>2</sup>
Protection class		I
Degree of protection accd. to EN 60529		IP54 (optional IP65)
Cable glands/enclosure drilling		M50 cable gland see ordering details
Weight	3-pole 4-pole	approx. 48 kg approx. 52 kg
Enclosure material		aluminium, powder-coated polyester connection box steel, powder-coated
Colour	Enclosure Cover	grey (RAL 7032) dark grey (RAL 7022)

1) Also available with Explosion Group IIB

2) Other ambient temperatures on request

**EXKO 7318 Ex-main circuit breakers 160 A**

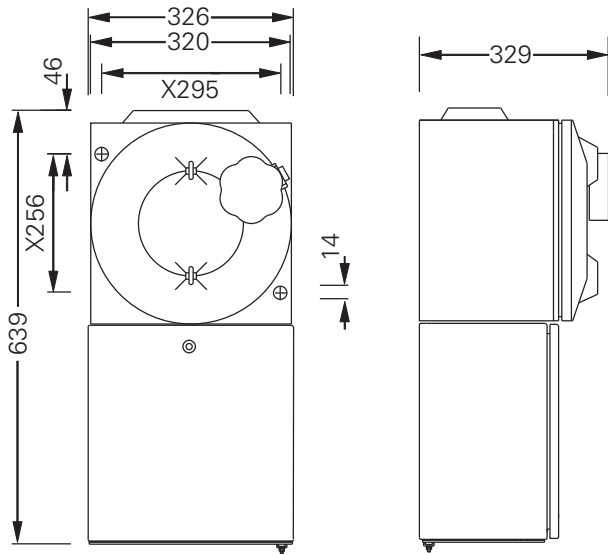


**EXKO 73 1813 C**

**Ordering details**

5	Content	Cable gland	Order No.
	<b>Ex-main circuit breaker 160 A</b>		
	3-pole	2 x M50	<b>EXKO 73 1813 C0001</b>
	4-pole	2 x M50	<b>EXKO 73 1814 C0001</b>
	Customized version on request		

**Dimension drawing**



X = fixing dimensions

Dimensions in mm



EXKO 73 1813 D

Technical data

Ex-main circuit breaker 250 A

Marking accd. to 2014/34/EU		⊕ II 2 G Ex de ia/ib [ia/ib] IIC T4 ... T6 <sup>1)</sup> ⊕ II 2 D IP66 T80 °C / T95 °C / T130 °C
EC-Type Examination Certificate		PTB 99 ATEX 1057
IECEX Certificate of Conformity		IECEX PTB 12.0026
Marking accd. to IECEx		Ex d IIC T6, T5 or T4 Gb / Ex de IIC T6, T5 or T4 Gb Ex d IIB T6, T5 or T4 Gb / Ex de IIB T6, T5 or T4 Gb
Permissible ambient temperature		-20 °C up to +40 °C <sup>2)</sup>
Rated voltage		up to max. 690 V
Rated current		max. 250 A
Frequency		50/60 Hz
Rated making/breaking capacity AC-3 accd. EN 60947-3		U <sub>e</sub> 230 V / I <sub>e</sub> 250 A U <sub>e</sub> 400 V / I <sub>e</sub> 250 A U <sub>e</sub> 500 V / I <sub>e</sub> 250 A U <sub>e</sub> 690 V / I <sub>e</sub> 250 A
Back-up fuse		up to 400 V AC: 250 A gG up to 500 V AC: 250 A gG up to 690 V AC: 250 A gG
Connecting terminals	main contact	150/95 mm <sup>2</sup>
Protection class		I
Degree of protection accd. to EN 60529		IP54 (optional IP65)
Cable glands/enclosure drilling		M63 cable gland see ordering details
Weight	3-pole 4-pole	approx. 50 kg approx. 55 kg
Enclosure material		aluminium, powder-coated polyester connection box steel, powder-coated
Colour	Enclosure Cover	grey (RAL 7032) dark grey (RAL 7022)

<sup>1)</sup> Also available with Explosion Group IIB

<sup>2)</sup> Other ambient temperatures on request

**EXKO 7318 Ex-main circuit breakers 250 A**



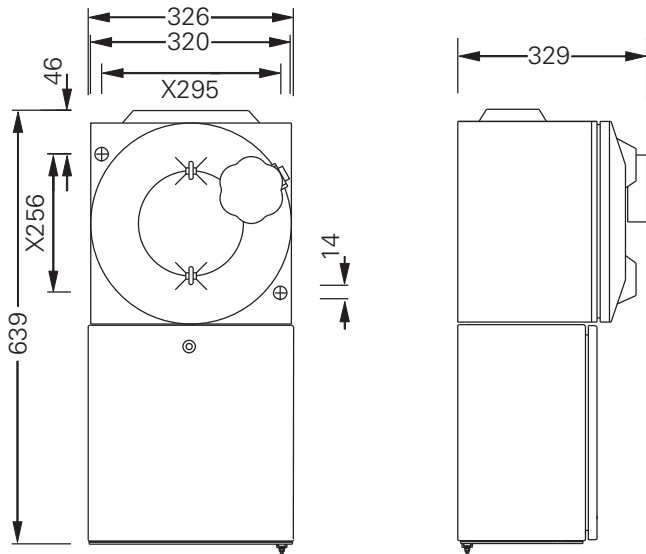
**EXKO 73 1813 D**

**Ordering details**

5	Content	Cable gland	Order No.
	<b>Ex-Main current switches 250 A</b>		
	3-pole	2 x M63	<b>EXKO 73 1813 D0001</b>
	4-pole	4 x M63	<b>EXKO 73 1814 D0001</b>

Customized version on request

**Dimension drawing**



X = fixing dimensions

Dimensions in mm



EXKO 73 1813 E

Technical data

Ex-main circuit breaker 400 A

Marking accd. to 2014/34/EU		⊕ II 2 G Ex de ia/ib [ia/ib] IIC T4 ... T6 <sup>1)</sup> ⊕ II 2 D IP66 T80 °C / T95 °C / T130 °C
EC-Type Examination Certificate		PTB 99 ATEX 1057
IECEX Certificate of Conformity		IECEX PTB 12.0026
Marking accd. to IECEx		Ex d IIC T6, T5 or T4 Gb / Ex de IIC T6, T5 or T4 Gb Ex d IIB T6, T5 or T4 Gb / Ex de IIB T6, T5 or T4 Gb
Permissible ambient temperature		-20 °C up to +40 °C <sup>2)</sup>
Rated voltage		up to max. 690 V
Rated current		max. 400 A (3-pole) / max. 300 A (4-pole)
Frequency		50/60 Hz
Rated making/breaking capacity AC-3 accd. EN 60947-3		U <sub>e</sub> 230 V / I <sub>e</sub> 400 A U <sub>e</sub> 400 V / I <sub>e</sub> 400 A U <sub>e</sub> 500 V / I <sub>e</sub> 400 A U <sub>e</sub> 690 V / I <sub>e</sub> 400 A
Back-up fuse		up to 400 V AC: 500 A gG up to 500 V AC: 500 A gG up to 690 V AC: 500 A gG
Connecting terminals	main contact	150/95 mm <sup>2</sup>
Protection class		I
Degree of protection accd. to EN 60529		IP54 (optional IP65)
Cable glands/enclosure drilling		M63 cable gland see ordering details
Weight	3-pole 4-pole	approx. 85 kg approx. 90 kg
Enclosure material		aluminium, powder-coated polyester connection box steel, powder-coated
Colour	Enclosure Cover	grey (RAL 7032) dark grey (RAL 7022)

<sup>1)</sup> Also available with Explosion Group IIB

<sup>2)</sup> Other ambient temperatures on request

## EXKO 7318 Ex-main circuit breakers 400 A

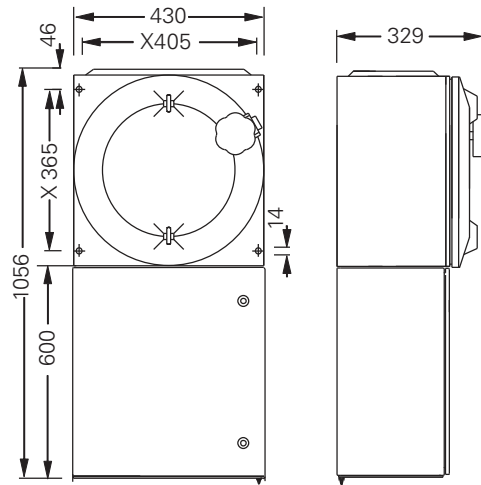


EXKO 73 1813 E

### Ordering details

5	Content	Cable gland	Order No.
<b>Ex-Main current switches 400 A</b>			
	3-pole	4 x M63	<b>EXKO 73 1813 E0001</b>
	4-pole	4 x M63	<b>EXKO 73 1814 E0001</b>
Customized version on request			

### Dimension drawing



X = fixing dimensions



EXKO 73 1813 F

Technical data

Ex-main circuit breaker 630 A

Marking accd. to 2014/34/EU	Ⓜ II 2 G Ex de ia/ib [ia/ib] IIC T4 ... T6 <sup>1)</sup> Ⓜ II 2 D IP66 T80 °C / T95 °C / T130 °C	
EC-Type Examination Certificate	PTB 99 ATEX 1057	
IECEX Certificate of Conformity	IECEX PTB 12.0026	
Marking accd. to IECEx	Ex d IIC T6, T5 or T4 Gb / Ex de IIC T6, T5 or T4 Gb Ex d IIB T6, T5 or T4 Gb / Ex de IIB T6, T5 or T4 Gb	
Permissible ambient temperature	-20 °C up to +40 °C <sup>2)</sup>	
Rated voltage	up to max. 690 V	
Rated current	max. 630 A	
Frequency	50/60 Hz	
Rated making/breaking capacity AC-3 accd. EN 60947-3	U <sub>e</sub> 230 V / I <sub>e</sub> 630 A U <sub>e</sub> 400 V / I <sub>e</sub> 630 A U <sub>e</sub> 500 V / I <sub>e</sub> 630 A U <sub>e</sub> 690 V / I <sub>e</sub> 630 A	
Back-up fuse	up to 400 V AC: 800 A gG up to 500 V AC: 800 A gG up to 690 V AC: 800 A gG	
Connecting terminals	main contact	240/120 mm <sup>2</sup>
Protection class	I	
Degree of protection accd. to EN 60529	IP54 (optional IP65)	
Cable glands/enclosure drilling	M80 Ø 62 - 68 mm see ordering details	
Weight	3-pole 4-pole	approx. 245 kg approx. 250 kg
Enclosure material	aluminium, powder-coated polyester connection box steel, powder-coated	
Colour	Enclosure Cover	grey dark grey

<sup>1)</sup> Also available with Explosion Group IIB

<sup>2)</sup> Other ambient temperatures on request

**EXKO 7318 Ex-main circuit breakers 630 A**

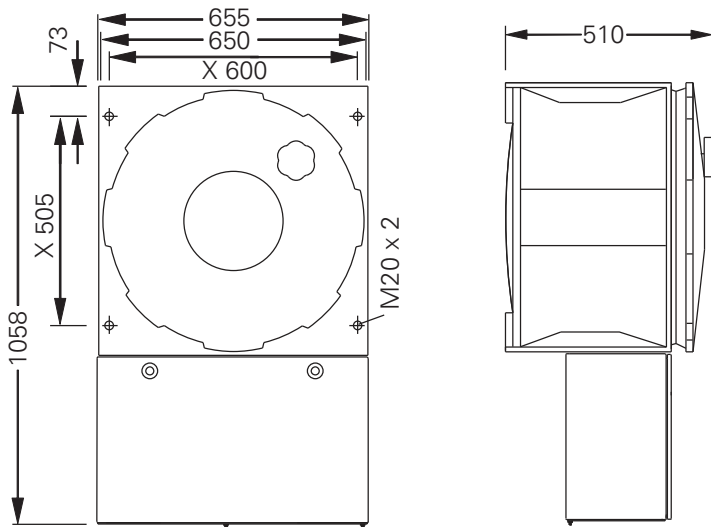


**EXKO 73 1813 F**

**Ordering details**

5	Content	Cable gland	Order No.
	<b>Ex-Main current switches 630 A</b>		
	3-pole	4 x M80	<b>EXKO 73 1813 F0001</b>
	4-pole	4 x M80	<b>EXKO 73 1814 F0001</b>
	Customized version on request		

**Dimension drawing**



**X = fixing dimensions**

**Authorised Distributor:**



**AMPMECH**  
 46, Jalan SS 22/21, Damansara Jaya,  
 47400 Petaling Jaya,  
 Selangor Darul Ehsan, Malaysia.  
 Email: [ampmech@ampmech.com](mailto:ampmech@ampmech.com)  
 Website: [www.ampmech.com](http://www.ampmech.com)

Dimensions in mm