



Type 434...



Type 432...

Technical data

Ex-control stations Type 432 I Type 434

Marking accd. to 2014/34/EU	Ⓢ II 2 G Ex ed ib m IIC T6 Ⓢ II 2 D Ex tD A21 IP66 T80 °C	
EC-Type Examination Certificate	PTB 00 ATEX 3117	
IECEX Certificate of Conformity	IECEX BK1 04.0003	
Marking accd. to IECEx	Ex e II T6, Ex e ib IIC T6, Ex ed IIC T6 or Ex ed ib IIC T6	
Permissible ambient temperature	-20 °C up to +40 °C -55 °C up to +55 °C (option)	
Rated voltage	690 V AC (with control switch GHG 23 up to 500 V)	
Rated current	16 A (with control switch GHG 23 max. 10 A)	
Rated making-/rated breaking capacity accd. EN 60947-5-1	Ex41 AC-15: U_g 250 V / I_g 6 A U_g 500 V / I_g 4 A DC-13: U_g 24 V / I_g 6 A U_g 110 V / I_g 0.5 A	Ex23 AC-15: U_g 230 V / I_g 6 A U_g 500 V / I_g 4 A DC-13: U_g 24 V / I_g 2 A U_g 230 V / I_g 0.5 A
Connecting terminals	2 x 4 mm ²	
Protection class	I	
Degree of protection accd. to EN 60529	IP66	
Cable glands/Gland plates/Enclosure drilling	2 x M25 cable gland incl. 1 blanking plug or optional 2 x M20 thread with internal brass plate	
Enclosure material	Polyamide	
Enclosure colour	black	

Type 432

Dimensions (L x W x H)	156 x 100 x 90 mm
Weight (empty)	0.47 kg

Type 434

Dimensions (L x W x H)	245 x 100 x 90 mm
Weight (empty)	0.70 kg

Type 434 with measuring instrument AM 72

Movement	Moving iron	Moving coil
Marking accd. to 2014/34/EU	Ⓢ II G Ex e II	Ⓢ II G Ex ib IIC
Accuracy	Class 2.5	Class 1.5
Overload range	10-fold -25 sec. 25-fold - 4 sec. 50-fold - 1 sec. indicated 1:1.5, optional 1:6, 1:10	10-fold -5 sec.
Measuring range	n / 1A 0 - 25 A direct	0 - 20 mA 4 - 20 mA
Inductance L_i	-	≤ 0.1 mH
Capacitance C_i	-	≤ 0.1 nF
Open circuit voltage max. U_i	-	30 V
Short circuit current max. I_i	-	150 mA
Connecting terminals	2 x 1.5 - 4 mm ²	
Weight	1.25 kg	

¹⁾ Base enclosure can be rotated after wards (entry from top or down)

Other versions available on request

Ex-moulded plastic control stations GHG 432



Type 432...01



Type 432...02



Type 432...03



Type 432...05

4 Ordering details Type 432 with 2 built-in components

Content	Built-in components	Weight approx.	Order No.
	2 x pushbutton DRT 1 NO + 1 NC each label: "0, I, START, STOP"	0.85 kg	GHG 432 0011 R0001
X1——X2	1 x signal lamp SIL 20-250 V AC/DC coloured lens cover: „white, red, green, yellow“		
	1 x double pushbutton DDT 1 NO + 1 NC label: "0, I, START, STOP"	0.90 kg	GHG 432 0011 R0002
	1 x double pushbutton DDT 1 NO + 1 NC label: "0, I, START, STOP" 1 x mushroom-head pushbutton SGTE 1 NO + 1 NC "emergency stop"	0.85 kg	GHG 432 0011 R0003
1——2	1 x measuring instrument AM45 CT connection n/1A Scale 0 –100%/150%		
	1 x double pushbutton DDT 2 NC + 1 NO label: "0, I, START, STOP"	0.95 kg	GHG 432 0011 R0005



Type 432...17



Type 432...05



Type 432...03

Ordering details Type 432 with 1 control switch GHG 23

Content	Built-in components	Weight approx.	Order No.
	1 x control switch GHG 23 1 change-over SW 6 "engaging-engaging" label: "HAND - AUTO" label: "0 - I"	0.70 kg 0.70 kg	GHG 432 0001 R0003 GHG 432 0001 R0004
	1 x control switch GHG 23 2 NO SW 5 "engaging-engaging-engaging" label: "HAND 0 AUTO" label: "I 0 II"	0.70 kg 0.70 kg	GHG 432 0001 R0005 GHG 432 0001 R0006
	1 x control switch GHG 23 1 NO + 1 NC SW 8 "engaging-engaging-spring return" label: "0 - I" label: "AUS-Betrieb-EIN" label: "0 IN START"	0.70 kg 0.70 kg 0.70 kg	GHG 432 0001 R0012 GHG 432 0001 R0013 GHG 432 0001 R0014
	1 x control switch GHG 23 2 C/O SW 6 "engaging-engaging" label: "I - II" label: "HAND - AUTO"	0.70 kg 0.70 kg	GHG 432 0001 R0015 GHG 432 0001 R0016
	1 x control switch GHG 23 2 NO + 1 NC SW 5 "engaging-engaging-engaging" label: "I II III"	0.86 kg	GHG 432 0001 R0017
	1 x control switch GHG 23 2 NO + 1 NC SW 8 "engaging-engaging-spring return" label: "0 - I" label: "AUS-Betrieb-EIN" label: "0 IN START"	0.86 kg 0.86 kg 0.86 kg	GHG 432 0001 R0018 GHG 432 0001 R0019 GHG 432 0001 R0020

Ex-moulded plastic control stations GHG 432



Type 432...10



Type 432...09


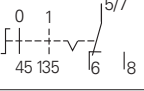

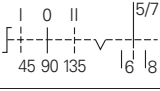

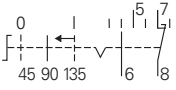


Type 432...08



Type 432...06

4 Ordering details Type 432 with 2 built-in components

Content	Built-in components	Weight approx.	Order No.
1  2 	1 x measuring instrument AM45 CT connection n/1A Scale 0 –100%/150% 1 x control switch GHG 23 1 change-over SW 6 "spring return-engaging" label: "0 – I"	1.35 kg	GHG 432 0011 R0006
1  2 	1 x measuring instrument AM45 CT connection n/1A Scale 0 –100%/150% 1 x control switch GHG 23 2 NO SW 5 "engaging-engaging-engaging" label: "I 0 II"	1.35 kg	GHG 432 0011 R0008
1  2 	1 x measuring instrument AM45 CT connection n/1A Scale 0 –100%/150% 1 x control switch GHG 23 1 NO + 1 NC SW 8 "engaging-engaging-spring return" label: "0 – I"	1.35 kg	GHG 432 0011 R0009



Type 434...11



Type 434...10



Type 434...02

Ordering details Type 434 with 4 built-in components

Content	Built-in components	Weight approx.	Order No.
1 - 2 	1 x measuring instrument AM72 CT connection n/1A Scale 0 –100%/150% 1 x double pushbutton DDT 1 NO + 1 NC label: "0, I, START, STOP" 1 x mushroom-head pushbutton SGT 1 NO + 1 NC "emergency stop"	1.40 kg	GHG 434 0111 R0002
1 - 2 	1 x measuring instrument AM72 CT connection n/1A Scale 0 –100%/150% 1 x mushroom-head pushbutton SGTE 1 NO + 1 NC "emergency stop" 1 x control switch GHG 23 1 change-over SW 6 "engaging-engaging" label: "0 - I"	1.55 kg	GHG 434 0111 R0010
1 - 2 	1 x measuring instrument AM72 CT connection n/1A Scale 0 –100%/150% 1 x mushroom-head pushbutton SGTE 1 NO + 1 NC "emergency stop" 1 x control switch GHG 23 1 NO + 1 NC SW 8 "engaging-engaging-spring return" label: "0 - I"	1.55 kg	GHG 434 0111 R0011

Ex-moulded plastic control stations GHG 434



Type 434...04



Type 434...05



Type 434...09

4 Ordering details Type 434 with 4 built-in components

Content	Built-in components	Weight approx.	Order No.
<p>X1—⊗—X2</p>	<p>1 x signal lamp SIL 20-250 V AC/DC coloured lens cover: „white, red, green, yellow“ 2 x pushbutton DRT 1 NO + 1 NC label: “O, I, START, STOP” 1 x mushroom-head pushbutton SGTE 1 NO + 1 NC “emergency stop”</p>	1.45 kg	GHG 434 1111 R0004
<p>X1—⊗—X2</p>	<p>2 x signal lamp SIL 20-250 V AC/DC coloured lens cover: „white, red, green, yellow“ 2 x double pushbutton DDT 1 NO + 1 NC label: “O, I, START, STOP”</p>	1.45 kg	GHG 434 1111 R0005
<p>X1—⊗—X2</p>	<p>1 x signal lamp SIL 20-250 V AC/DC coloured lens cover: „white, red, green, yellow“ 1 x double pushbutton DDT 1 NO + 1 NC label: “O, I, START, STOP” 1 x mushroom-head pushbutton SGTE 1 NO + 1 NC “emergency stop” 1 x key-operated switch 2 NO SW 5 “engaging-engaging-engaging” label: “I 0 II”</p>	1.55 kg	GHG 434 1111 R0009

Authorised Distributor:



46, Jalan SS 22/21, Damansara Jaya,
47400 Petaling Jaya,
Selangor Darul Ehsan, Malaysia.
Email: ampmech@ampmech.com
Website: www.ampmech.com

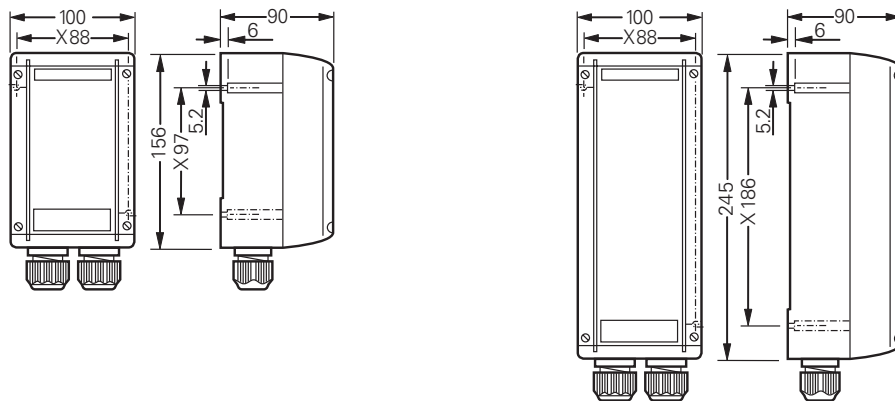


Accessories

Type	Application	Fixing method	OU	Order No.
Mounting plate for type 432				
Size 2	Wall mounting	screwless mounting	1	GHG 610 1953 R0104
Size 2	Pipe clamp	screwless mounting	1	GHG 610 1953 R0105
Size 2	Trellis-work mounting	screwless mounting	1	GHG 610 1953 R0106
Size 5	Wall mounting	snap on *	1	GHG 610 1953 R0128
Size 5	Trellis-work mounting	snap on *	1	GHG 610 1953 R0128
Size 5	Pipe clamp	snap on *	1	GHG 610 1953 R0132
Mounting plate for type 434				
Size 3	Wall mounting	screwless mounting	1	GHG 610 1953 R0118
Size 3	Pipe clamp	screwless mounting	1	GHG 610 1953 R0110
Size 3	Trellis-work mounting	screwless mounting	1	GHG 610 1953 R0118
Size 5	Wall mounting	snap on *	1	GHG 610 1953 R0128
Size 5	Trellis-work mounting	snap on *	1	GHG 610 1953 R0128
Size 5	Pipe clamp	snap on *	1	GHG 610 1953 R0132
Plug-in fastener for CEAG modules with 5.5 mm and 11 mm mounting size per 4 pieces			10	GHG 610 1953 R0041

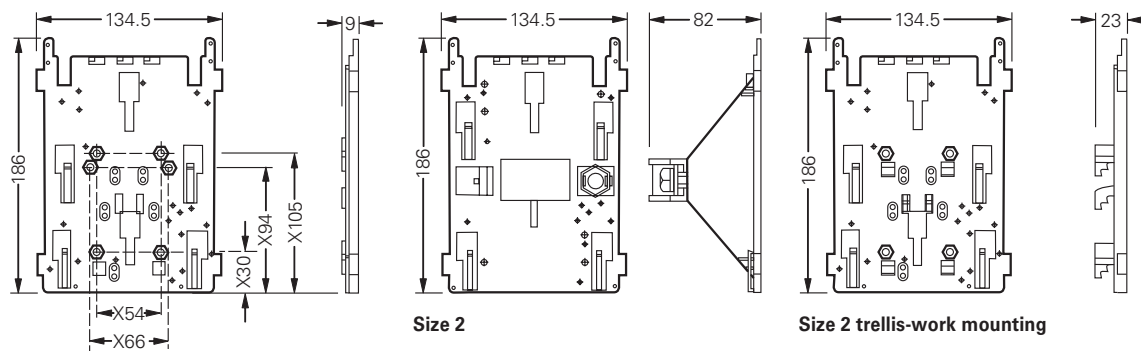
* snap-on with snap-on mounting 5.5 mm

Dimension drawing



Type 432

Type 434



Size 2 wall mounting

Size 2

Size 2 trellis-work mounting

X = fixing dimension

Dimensions in mm