

# 84500/84510

## 2/2-way seat valves

- > Port size: DN 15 ... 50, 1/2 ... 2 (ISO G/NPT)
- > Easy rebuilding into »normally open« or »double-acting« without tools
- > Optical position indicator is standard
- > Damped closing (Valves closes against flow direction)
- > Suitable for contaminated flow fluid
- > Suitable for vacuum up to max. 90%
- > Reversed flow direction optional
- > High flow rate
- > Option pressure actuated by external liquid fluid
- > International approvals



### Technical features

**Medium:**  
Neutral gases and liquids

**Pilot fluid:**  
Neutral gases max. +60°C (+14°F)

**Switching function:**  
Normally closed

**Operation:**  
Pressure actuated by external fluid

**Mounting position:**  
Optional

**Flow direction:**  
Determined

**Port size:**  
G1/2, G3/4, G1, G1 1/4, G1 1/2, G2 1/2 NPT, 3/4 NPT, 1 NPT, 1 1/4 NPT, 1 1/2 NPT, 2 NPT

**Pilot connection:**  
G1/4 or 1/4 NPT

**Operating pressure:**  
See table

**Pilot pressure:**  
3,5 ... 10 bar (51 ... 145 psi)

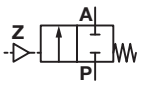
**Fluid temperature:**  
-10 ... +180°C (+14 ... +356°F)

**Ambient temperature:**  
-10 ... +60°C (+14 ... +140°F)

**Material:**  
Process fluid characteristics:  
Body: Dezincification Brass (CW617N)  
Seat seal: PTFE  
Internal parts: Brass, Stainless steel  
Spindle sealing: PTFE / FPM, self-adjustable

Pilot fluid characteristics:  
Body: Polyamid 66 with glass fibre 30%  
Seat Seals: NBR  
Internal parts: Brass, Stainless steel

### Technical data – standard models

Symbol	Port size	Orifice (mm)	Flow kv value *1) (m³/h)	Operating pressure *2) (bar) (psi)		Weight *3) (kg)	Model *3)
	G1/2	15	4,8	0 ... 16 (25)	0 ... 232 (362)	1,4	8450200.0000.00000
	1/2 NPT	15	4,8	0 ... 16 (25)	0 ... 232 (362)	1,4	8451200.0000.00000
	G3/4	20	10	0 ... 10 (16)	0 ... 145 (232)	1,5	8450300.0000.00000
	3/4 NPT	20	10	0 ... 10 (16)	0 ... 145 (232)	1,5	8451300.0000.00000
	G1	25	14	0 ... 10	0 ... 145	1,8	8450400.0000.00000
	1 NPT	25	14	0 ... 10	0 ... 145	1,8	8451400.0000.00000
	G1 1/4	32	23	0 ... 7	0 ... 101	2,4	8450500.0000.00000
	1 1/4 NPT	32	23	0 ... 7	0 ... 101	2,4	8451500.0000.00000
	G1 1/2	40	30	0 ... 4,5	0 ... 65	2,7	8450600.0000.00000
	1 1/2 NPT	40	30	0 ... 4,5	0 ... 65	2,7	8451600.0000.00000
	G2	50	37	0 ... 3	0 ... 43	3,9	8450700.0000.00000
	2 NPT	50	37	0 ... 3	0 ... 43	3,9	8451700.0000.00000

\*1) Cv-value (US) = kv value x 1,2

\*2) For gases and liquid fluids up to 600 mm²/s (cSt)

\*3) Without pilot valve

#### ⊗-Note:

For hazardous areas, e. g. Zone 1/2 or 21/22, the kit 1264287 is required. It contains an additional sign, a silencer as dust shield and a conformity explanation. The maximum fluid temperature is reduced to 85°C.

**Option selector**
**845\*\*\*\*.0000.00000**

Thread form	Substitute
ISO G	0
NPT	1
Port size	Substitute
1/2	2
3/4	3
1	4
1 1/4	5
1 1/2	6
2	7

Valve options	Substitute
Normally open (NO), closes with pilot pressure and opens with spring force (pilot pressure 1 ... 10 bar)	01
Double acting, 4/2 or 5/2-way-pilot valve required	08
Electrical position indicator with 2 micro-switches	23
NAMUR interface plate	50

**Notes**
**for 3/2-way pilot valve 84660 / 84680**

<b>Material</b>	Body Aluminium
<b>Pilot fluid temperature</b>	max. +60°C
<b>Pilot pressure</b>	1 ... 10 bar
<b>Standard voltages</b>	24 V d.c., 24 V a.c., 230 V a.c.

**Notes**
**for 5/2-way pilot valve 97100 hole pattern NAMUR**

<b>Material</b>	Body Aluminium elox
<b>Pilot fluid temperature</b>	-10 ... +50°C (+14 ... +122°F)
<b>Pilot pressure</b>	2 ... 8 bar
<b>Standard voltages</b>	24 V d.c., 24 V a.c., 230 V a.c.

**Electrical Data**
**for 3/2-way pilot valve 84660 / 84680**

<b>Design acc. to</b>	DIN VDE 0580
<b>Voltage range</b>	±10%
<b>Duty cycle</b>	100% ED
<b>Protection class</b>	EN 60529 IP65 with mounted socket
<b>Socket</b>	Form A acc. to DIN EN 175301-803 (included)
<b>Technical data</b>	See publication N/en 5.8.640

**Electrical Data**
**for 5/2-way pilot valve 97100 hole pattern NAMUR**

<b>Design acc. to</b>	DIN VDE 0580
<b>Voltage range</b>	±10%
<b>Duty cycle</b>	100% ED
<b>Protection class</b>	EN 60529 IP65 with mounted socket
<b>Socket</b>	Form A acc. to DIN EN 175301-803 (included)
<b>Technical data</b>	See publication N/en 5.4.372

Further versions on request!

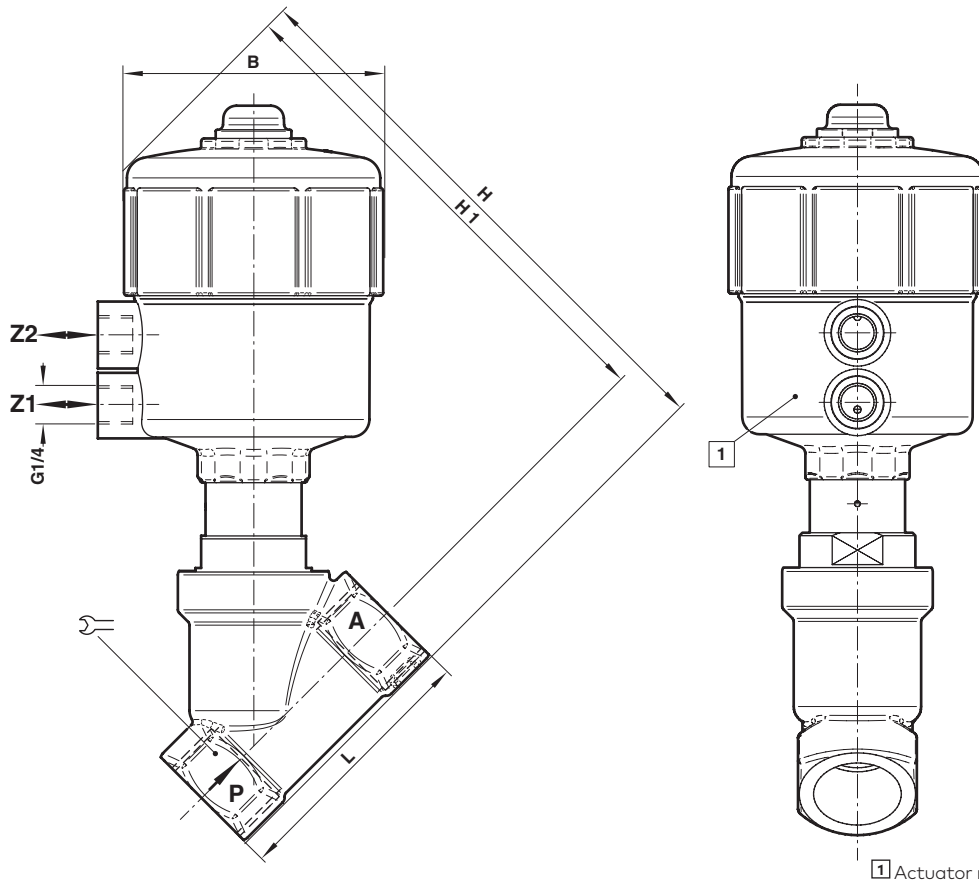
**Mounting accessories (NAMUR)**

Interface plate NAMUR hole pattern for retrofit (Part-Number 1256566) consist of:  
1x NAMUR-interface plate; 2x Adapter screw; 2x O-ring


**Authorised Distributor:**


46, Jalan SS 22/21, Damansara Jaya,  
47400 Petaling Jaya,  
Selangor Darul Ehsan, Malaysia.  
Email: [ampmech@ampmech.com](mailto:ampmech@ampmech.com)  
Website: [www.ampmech.com](http://www.ampmech.com)

**Dimensions**
**G1/2 ... 2**  
**1/2 ... 2 NPT**

 Dimensions in mm  
 Projection/First angle


1 Actuator may be rotated 360°

Port size	B	H	H1	L		Model
G1/2	89,5	177,5	164	65	27	8450200.0000.00000
1/2 NPT	89,5	177,5	164	65	27	8451200.0000.00000
G3/4	89,5	184	168	75	32	8450300.0000.00000
3/4 NPT	89,5	184	168	75	32	8451300.0000.00000
G1	89,5	194,5	174	90	41	8450400.0000.00000
1 NPT	89,5	194,5	174	90	41	8451400.0000.00000
G1 1/4	89,5	209,5	184,5	110	50	8450500.0000.00000
1 1/4 NPT	89,5	209,5	184,5	110	50	8451500.0000.00000
G1 1/2	89,5	208,5	186	120	55	8450600.0000.00000
1 1/2 NPT	89,5	208,5	186	120	55	8451600.0000.00000
G2	89,5	229,5	194,5	150	70	8450700.0000.00000
2 NPT	89,5	229,5	194,5	150	70	8451700.0000.00000

**Note to Pressure Equipment Directive (PED):**

The valves of this series up to and including DN 25 (G1) are according to Art. 4 § 3 of the Pressure Equipment Directive (PED) 2014/68/EU. This means interpretation and production are in accordance to engineers practice wellknown in the member countries. The CE-sign at the valve does not refer to the PED. Thus the declaration of conformity is not longer applicable for this directive.

**For valves > DN 25 (G1) Art. 4 § (1) Letter d) applies:**

The basic requirements of the Enclosure I of the PED must be fulfilled. The CE-sign at the valve includes the PED. A certificate of conformity of this directive will be available on request.

**Note to Electromagnetic Compatibility Guideline (EEC):**

The valves shall be provided with an electrical circuit which ensures the limits of the harmonised standards EN 61000-6-3 and EN 61000-6-1 are observed, and hence the requirements of the Electromagnetic Compatibility Guideline (2014/30/EU) satisfied.

**Note to EAC marking:**

The EAC-marked products comply with the applicable requirements stated in the technical regulations of the Eurasian Economic Union.