



GLASS

IP66-IP55 Polyester wall-mounting cabinets

This series is comprised of a set of cabinets made of hot-pressed polyester reinforced with halogen-free fibreglass that deliver a really high level of performance.

With IP66-IP55 protection, they are designed especially for the food, chemical and pharmaceutical industries and outdoor processing centres due to their durability and resistance to chemical agents.



GLASS Technical specifications

- **Degree of protection:**
 - Cabinets from a height of 300 mm to 800 mm: IP66.
 - Cabinets from a height of 500 mm to 1250 mm: IP55.
- **Resistance to impact:**
 - Opaque door: IK10.
 - Transparent door: IK08.
- **Ambient temperature range:** -25 °C / +40 °C.
- **Test of resistance to glow wire:** 960 °C.
- **Thermal class:** A 150 °C.
- **Maximum rated operating voltage:** 1000 V AC / 1500 V DC.

GLASS Certifications

Compliant with the Low Voltage Directive 2014/35/EU.
Standards: UNE-EN 62208 and UNE-EN 61439-1-3 (as applicable).

GLASS

IP66-IP55 polyester wall-mounting cabinets



Material

Fibreglass-reinforced hot-pressed polyester.

Main characteristics:

- Halogen-free.
- Non-hygroscopic (zero water absorption).
- Double insulation.
- Corrosion-resistant.

Polyester finish

RAL 7035 grey.

Product series

Standard

- IP66 cabinets with opaque and transparent door:
Height: 300 - 400 - 500 - 600 - 800 mm.
Width: 250 - 300 - 400 - 500 - 600 mm.
Depth: 140 - 200 - 230 - 300 mm.
- IP55 cabinets with opaque door.
IP43 cabinets open at the bottom.
- IP43 cabinets with canopy.
Height: 500 - 750 - 1000 - 1250 mm.
Width: 500 - 750 - 1000 - 1250 mm.
Depth: 300 - 420 mm.

Cabinets supplied without mounting plate.

To order

- Special cabinets, dimensions, cut-outs, colours, etc.

Supply

IP66 cabinets (from a height of 300 mm to 800 mm)

- Supplied in individual packaging.
- The accessories for fitting the mounting plate are fitted on the cabinet. Plate supplied in individual packaging if requested as an accessory.
- Key and assembly instructions.

IP55 cabinets (from a height of 500 mm to 1250 mm)

- Supplied individually shrink-wrapped and protected with cardboard at top and bottom.
- The accessories for fitting the mounting plate are fitted on the cabinet. Plate supplied in individual packaging if requested as an accessory.
- Key and assembly instructions.

Recommended applications

Industrial environments and outdoor facilities, chemical and pharmaceutical industries, transformer sub-stations and outdoor areas where durability and resistance against chemicals and UV rays are necessary.



IP66 cabinets with transparent door



IP43 cabinets with bottom opening



IP43 cabinets with canopy



Enclosure

IP66 cabinets (from a height of 300 mm to 800 mm)

- Compact enclosure with plain walls, thus optimising space and resistance.
- Lid that guarantees 180° door opening in flush-fit installations, preventing water from entering when the door is opened and guaranteeing flush installation with the surface.
- Quick-fixture guides for M6 screws for fitting accessories without having to drill holes.
- Wall-mounting with head-insulated screws or adjustable brackets (supplied as accessories).

IP55 cabinets (from a height of 500 mm to 1250 mm)

- Top-locking modules with flat lid.
- Two depths available, 300 mm and 420 mm, to cover all requirements.
- They are also available open at the bottom and with canopy.
- Two fixing possibilities by means of brackets made of galvanised steel or plinth (supplied as accessories).

Door

IP66 cabinets (from a height of 300 mm to 800 mm)

- Possibility of opaque or transparent door with 180° opening.
- Opaque doors: Permits the installation of switchgear on the inside. They feature vertical jigs to facilitate machining and to guarantee proper switchgear placement.
- Transparent doors: When combined with a chassis mounting plate and/or inner door they allow you to see the status of the switchgear, while still maintaining IP.
- Internal hinges made of Zamak.

IP55 cabinets (from a height of 500 mm to 1250 mm)

- Available with opaque door.
- Inner hinges that permit 105° opening and the possibility of left or right opening.



Locks

IP66 cabinets (from a height of 300 mm to 800 mm)

- Standard double-bit 3-mm DIN lock.
- Different locking and interlocking systems supplied as accessories.

IP55 cabinets (from a height of 500 mm to 1250 mm)

- Standard 3-mm, 3-point double-bit insert lock with retractable handle.
- Other types of locks supplied as accessories.

Mounting plate

IP66 cabinets (from a height of 300 mm to 800 mm)

- Mounting plates available:
 - 4-mm thick polyester.
 - 2-mm thick galvanised steel sheet.
 - 4-mm thick insulating Bakelite.
- Plate adjustment pack available for depths 200, 230 and 300 mm.
- Mounting plates supplied as accessory.

IP55 cabinets (from a height of 500 mm to 1250 mm)

- Mounting plates available:
 - 4-mm thick polyester.
 - 2 and 3-mm thick galvanised metal.
- Plate adjustment pack available for both depths, 300 and 420 mm.
- Mounting plates supplied as accessory.

GLASS

IP66 polyester wall-mounting cabinets

Opaque single-door cabinets. IP66 Polyester

Reference No.	Dimensions			Polyester thickness		No. locks	No. hinges	Wall-mounting		Weight kg	Power dissipation according to temperature increase °C P(W)				
	A	B	C	ENCL.	LID			E	F		20	25	30	35	40
POL302514	300	250	140	2.5	2.7	1	2	248	215	2.0	16.1	20.1	24.1	28.1	32.1
POL403020	400	300	200	2.8	2.8	2	2	338	262	3.7	27.7	34.7	41.6	48.5	55.4
POL404020	400	400	200	2.8	2.8	2	2	338	362	4.6	33.6	42.0	50.4	58.8	67.2
POL504020	500	400	200	2.8	2.8	2	2	438	362	5.5	40.0	50.1	60.1	70.1	80.1
POL604023	600	400	230	3	3	2	2	538	362	7.4	49.9	62.4	74.9	87.4	99.8
POL605023	600	500	230	3	3	2	2	538	462	8.2	58.1	72.6	87.1	101.6	116.1
POL806030	800	600	300	3	3	2	2	734	558	13.1	94.9	118.7	142.4	166.1	189.8

Transparent single-door cabinets. IP66 Polyester

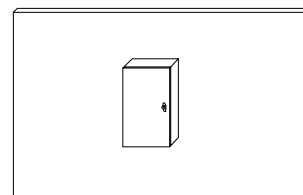
Reference No.	Dimensions			Polyester thickness		No. locks	No. hinges	Door with transparent panel		Wall-mounting		Weight kg	Power dissipation according to temperature increase °C P(W)				
	A	B	C	ENCL.	LID			K	J	E	F		20	25	30	35	40
POL302514PT	300	250	140	2.5	2.7	1	2	220	115	248	215	2.0	16.1	20.1	24.1	28.1	32.1
POL403020PT	400	300	200	2.8	2.8	2	2	281	121	338	262	3.7	27.7	34.7	41.6	48.5	55.4
POL404020PT	400	400	200	2.8	2.8	2	2	281	221	338	362	4.6	33.6	42.0	50.4	58.8	67.2
POL504020PT	500	400	200	2.8	2.8	2	2	381	221	438	362	5.5	40.0	50.1	60.1	70.1	80.1
POL604023PT	600	400	230	3	3	2	2	481	221	538	362	7.4	49.9	62.4	74.9	87.4	99.8
POL605023PT	600	500	230	3	3	2	2	481	321	538	462	8.2	58.1	72.6	87.1	101.6	116.1
POL806030PT	800	600	300	3	3	2	2	681	421	734	558	13.1	94.9	118.7	142.4	166.1	189.8

Polyester RAL 7035.

Cabinets supplied without mounting plate.

With 1/4 turn lock.

SEE ACCESSORIES ON PAGES 94-95.





IP66 polyester cabinet with opaque door

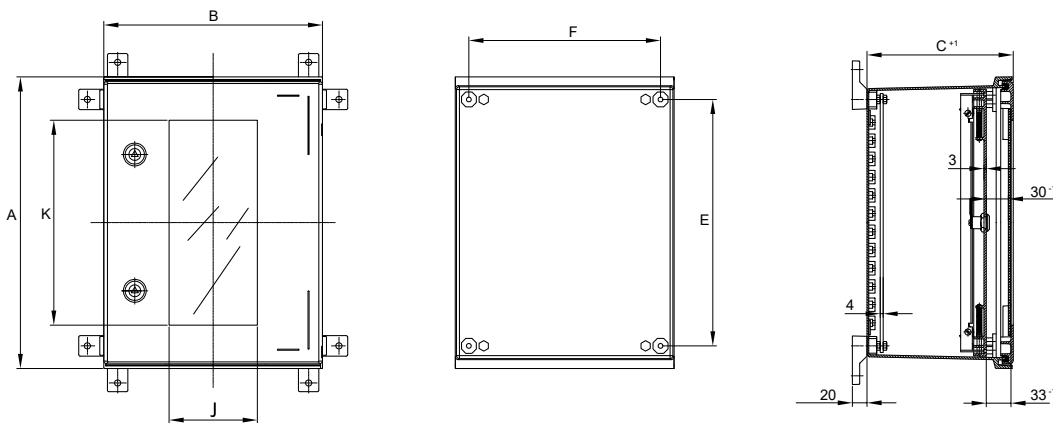


IP66 polyester cabinet with transparent door

Maximum acceptable loads

IP66	Cabinet	Plate	Door
300x250x140 cabinets	15 kg	11 kg	2 kg
400x300x200 cabinets	24 kg	19 kg	4 kg
400x400x200 cabinets	32 kg	26 kg	5 kg
500x400x200 cabinets	40 kg	33 kg	6 kg
600x400x230 cabinets	48 kg	40 kg	7 kg
600x500x230 cabinets	60 kg	51 kg	9 kg
800x600x300 cabinets	96 kg	84 kg	14 kg

Dimensions: IP66 Polyester





IDE ELECTRIC

Authorised Distributor:



46, Jalan SS 22/21, Damansara Jaya,
47400 Petaling Jaya,
Selangor Darul Ehsan, Malaysia.

*Email: ampmech@ampmech.com
Website: www.ampmech.com*

