

Model ICO3S 1/4" 3/2 UNI

Direct acting solenoid valve

High flow

Max inlet pressure 12 bar (174 psi)

A direct acting solenoid operated valve for the control of pneumatic or hydraulic operated equipment

Reliable and long life, ideal for a one time installation

ATEX, CSA, GOST K & R, IECEX and NEMA 4X

Technical features

Maximum inlet pressure: 12 bar (174 psi)

Flow rates:

$C_v = 0.6$ USgpm for 1 psi Δp

$K_v = 8.64$ l/min for 1 bar (15 psi) Δp

Temperature ratings:

Media (min/max -50°C/90°C (-58°F/194°F))

Ambient (min/max -50°C/60°C (-58°F/140°F))

Valve size: 1/4" poppet valve

Process connections: 1/4" NPT, 1/4" BSP

Conduit connection:

M20 x 1.5 conduit thread, 1/2" NPT

Signal connection: 1/4" NPT

Media: Liquid & gases

Weight: 2.5 kg

Materials:

Solenoid pot - stainless steel - BFC 316

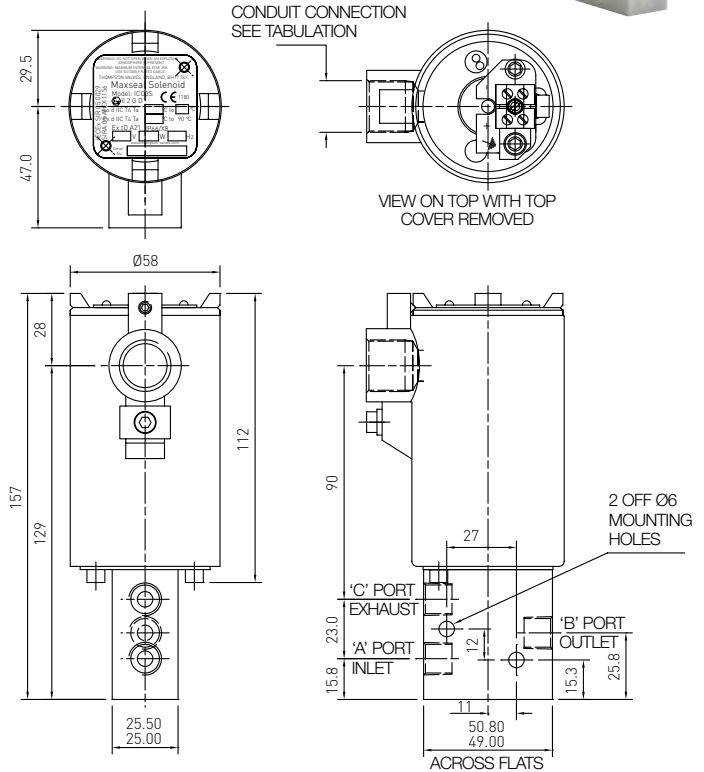
Top cover - stainless steel - BFC 316

Valve body & trim materials -

316 stainless steel - 316L stainless steel

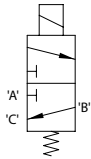
O-rings & seals - nitrile (NBR)

Coil insulation - class H



Profile and dimensions mm

ICO3S 1/4" 3/2 AUTO

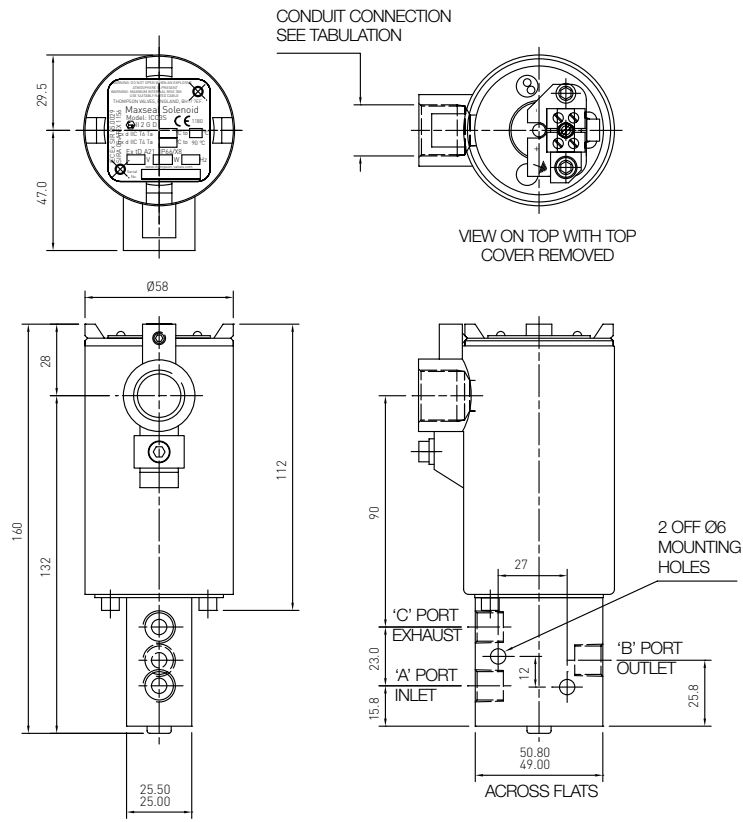
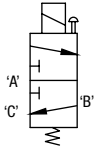


Valve part number breakdown

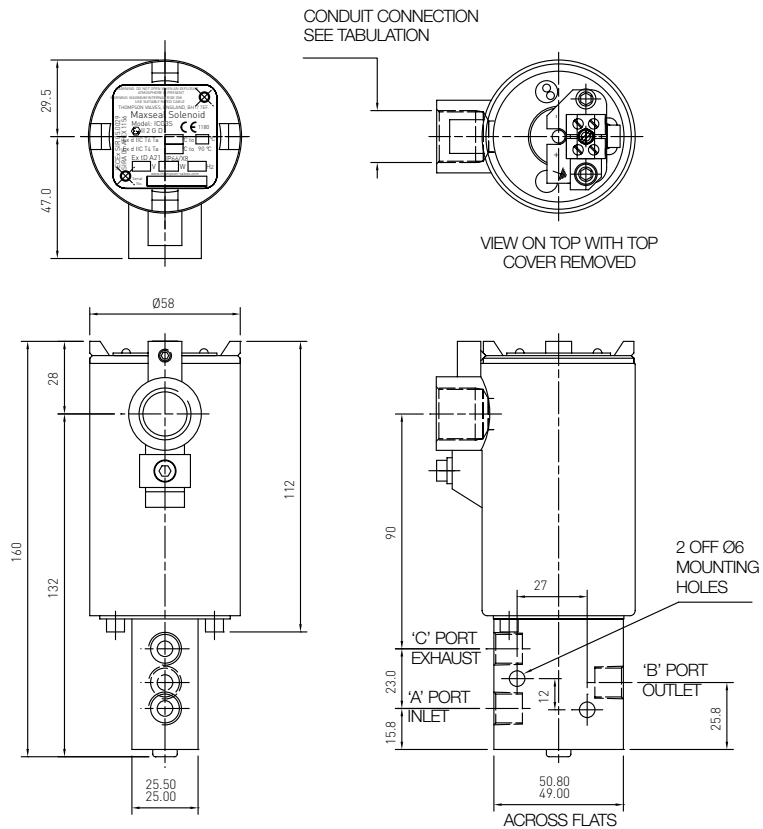
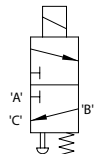
★★★13★★★★★S

Model	Substitute		Body / trim materials	Substitute
ICO3S Ex d	Y0		316 SS / 316 SS	S
ICO3S Ex mbe	YZ		316L SS / 316L SS	T
ICO3S Ex ia	YX			
Operating pressure	Substitute		Voltage	Substitute
0-12 bar	1		24V DC	B
Port config.	Substitute		50V DC	C
3/2 UNIVERSAL	3		110V DC	D
Operation	Substitute		125V DC	E
Automatic	A		220 / 240V DC	F
PBMO	C		24V AC	G
PBMR	P		110V AC	J
Process conn.	Substitute		220 / 240V AC	M
1/4" NPT	A1		120V AC	T
1/4" BSPP	E1		Conduit connection	Substitute
			M20 x 1.5	1
			1/2" NPT	2
			Seat / seal materials	Substitute
			Nitrile	H
			FKM	V

ICO3S 1/4" 3/2 PBMO



ICO3S 1/4" 3/2 PBMR



Authorised Distributor:



46, Jalan SS 22/21, Damansara Jaya,
47400 Petaling Jaya,
Selangor Darul Ehsan, Malaysia.

Email: ampmech@ampmech.com
Website: www.ampmech.com

Profile and dimensions mm