

## FEATURES



- Magnetic Actuation
- All 316SS Wetted Parts
- SPST 3A Contacts
- No O-Ring or Packing Seals
- Hermetically Sealed Switch Mechanism
- Hi or Lo Level Operation

## TYPICAL APPLICATIONS

### Petroleum Processing

Fuels, lubricating oils, hydraulic fluids, separators, treaters, crude oil, fuel-water interfaces.

### Chemical Processing

Acids, alkalis, ammonia, paint, lacquer, peroxides, alcohols, printing inks, freon.

### Food Processing

Beverages, fruit juices, cooking oils.

### Pharmaceutical and Cosmetic

Liquids, emulsions, lotions, solutions.

### Marine Operations

Fuel oil, hydraulic fluid, bilge level alarms, sea water, coolant, condensate levels, cargo levels.

### Reactor Operation

Level control, alarm signaling.

### Water Industry

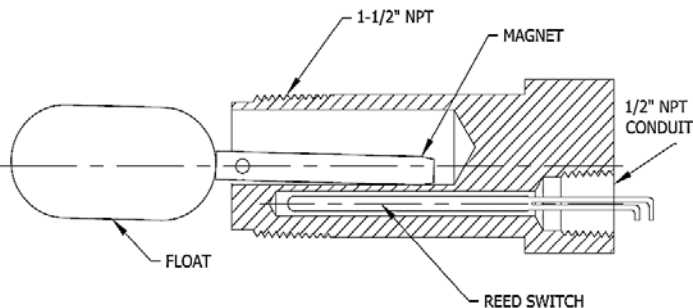
Flood control, reservoir levels.

### General

Leak detection, overflow alarm, low level alarm in evaporators.

## OPERATION

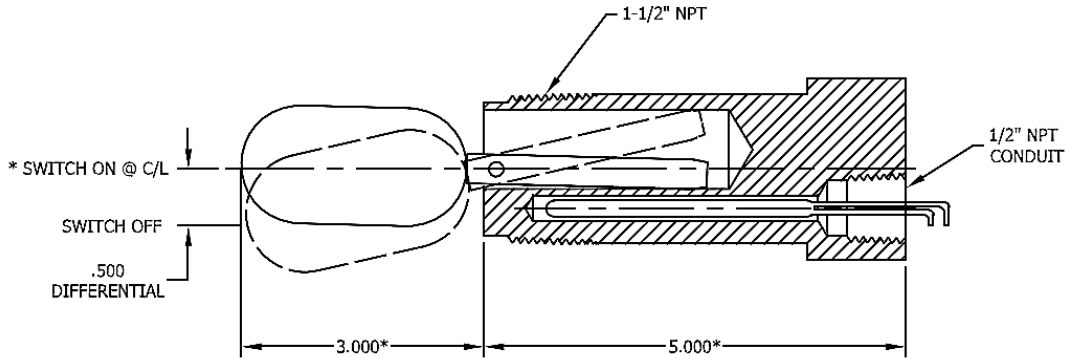
The Jerguson JMRS series float operated magnetic reed switch is designed to provide reliable low cost switching.



Utilizing a magnetically actuated reed switch to provide a contact, switching occurs when the float moves a magnet into close proximity of the reed switch. The all SST construction and hermetically sealed reed switch provides long life at a very low cost, without diaphragms or other seals that can leak.

# JMRS Horizontal Mount Magnet Level Switch

## DIMENSIONS AND SPECIFICATIONS



\*NOMINAL SWITCH POINT @ 1.00 SG

\*DIMENSIONS ARE SPECIFIC TO BASE MODEL NUMBER: JMRS 2100

PRESSURE RATING	MINIMUM SPECIFIC GRAVITY	PROCESS MAX. TEMP	CONNECTION	DIMENSION A
			1-1/2" NPT	5"
1500 PSIG	0.40	400°F/205°C	2" NPT	5-5/8"

## MODEL SELECTION GUIDE

MAGNETIC REED SWITCH				
JMRS	CODE	BODY MATERIAL		TRIM MATERIAL
	2	T-316 SST		T-316-SST
		CODE		CODE
		1	SPST HERMETICALLY SEALED	3 AMPS @ 120 VAC/DC
		2	SPDT HERMETICALLY SEALED	3 AMPS @ 120 VAC/DC
		CONNECTION		CODE
		1 1/2"NPT, 316SS		00
		2" NPT, 316 SS		70
				CARBON STEEL
				316SS
		2 1/2" 150# RF THREADED		11
		2 1/2" 300# RF THREADED		21
		2 1/2" 600# RF THREADED		31
		3" 150# RF THREADED		41
		3" 300# RF THREADED		51
		3" 600# RF THREADED		61
		CODE	OPTIONS	
		FEXXXX	FLOAT EXTENSION (INCHES) - CONSULT FACTORY	
		P	POLYPROPYLENE FLOAT (MAX TEMP = 250°F (121°C))	
		BW	BACK WELDED FLANGE	
JMRS	2	1	00	TYPICAL MODEL NUMBER

# JERGUSON®

Authorised Distributor:



46, Jalan SS 22/21, Damansara Jaya,  
47400 Petaling Jaya,  
Selangor Darul Ehsan, Malaysia.

Email: [ampmech@ampmech.com](mailto:ampmech@ampmech.com)  
Website: [www.ampmech.com](http://www.ampmech.com)