



W20

Weld Pad Gages for Economical Level Indication on Non-Critical Applications

Series W20 & W300L

Features

- Applied directly to tank
- User must determine if acceptable for ASME Sec. VIII
- Recessed Gasket Seat in Chamber and Cover
- Tempered Borosilicate Glass conforming to BS3463, JIS B8211, & DIN 7081
- Wetted parts conforming to NACE MR0175 & MR0103 available
- All parts listed in ASTM & ASME B31.3

Standard Weld Pad Gages

Available in both reflex and transparent types. Generally used for non-critical applications. When using standard weld pad gages, the tank must be relieved of pressure and drained to service the gage. Seal pots are a typical application. This type of gage is not used on critical process equipment because you cannot perform maintenance or replace a gage without shutting down the entire process.

Isolable Weld Pad Gages

Jerguson Isolable Weld Pad Gages follow the general design of standard Jerguson weld pad gages but offer the additional advantages of integral valves. Because the gage can be isolated from the vessel by the valves, gaskets or glass can be replaced without lowering the level of liquid below the gage inlet or relieving pressure from the vessel. Isolable gages are installed by matching the valve inlets with holes drilled in the vessel and making a 100% fillet weld between the vessel wall and the valve inlets. The gage chamber is tack welded to the vessel.

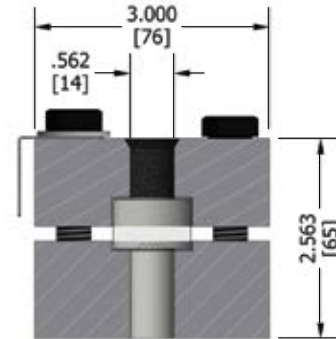


Type RIW Isolable

Liquid Level Gages

Series RW-300L Reflex & Series TW-300L Transparent

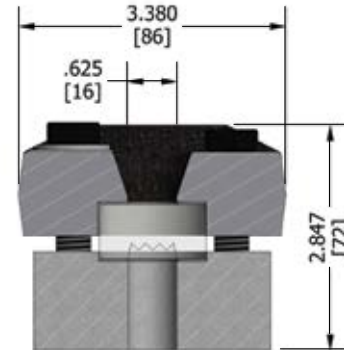
Size No.	Visible Range		Overall Length		Approximate Weight	
	in	mm	in	mm	lbs.	Kgs
115	14.250	362	16.094	409	27	12.3
118	17.250	438	19.094	485	32	14.5
120	19.250	489	21.094	536	35	15.9
215	30.344	771	32.188	818	54	24.5
218	36.344	923	38.188	970	64	29.1
220	40.344	1025	42.188	1072	70	31.8
315	46.438	1180	48.281	1226	81	36.8
318	55.438	1408	57.281	1455	96	43.6
320	61.438	1561	63.281	1607	105	47.7
415	62.532	1588	64.375	1635	108	49.1
418	74.532	1893	76.375	1940	128	58.2
420	82.532	2096	84.375	2143	140	63.6



Series W-300L

Series RW-20 Reflex & Series TW-20 Transparent

Size No.	Visible Range		Overall Length		Approximate Weight	
	in	mm	in	mm	lbs.	Kgs
11	3.750	95	5.250	133	9	4.1
12	4.750	121	6.250	159	11	5.0
13	5.750	146	7.250	184	12	5.5
14	6.750	171	8.250	210	14	6.4
15	7.875	200	9.375	238	16	7.3
16	9.125	232	10.625	270	18	8.2
17	10.250	260	11.750	298	20	9.1
18	11.875	302	13.375	340	22	10.0
19	12.625	321	14.125	359	24	10.9
23	13.000	330	14.500	368	24	10.9
24	15.000	381	16.500	419	28	12.7
25	17.250	438	18.750	476	32	14.5
26	19.750	502	21.250	540	36	16.4
27	22.000	559	23.500	597	40	18.2
28	25.250	641	26.750	679	44	20.0
29	26.750	679	28.250	718	48	21.8
36	30.375	772	31.875	810	54	24.5
37	33.750	857	35.250	895	60	27.3
38	38.625	981	40.125	1019	66	30.0
39	40.875	1038	42.375	1076	72	32.7
47	45.500	1156	47.000	1194	80	36.4
48	52.000	1321	53.500	1359	88	40.0
49	55.000	1397	56.500	1435	96	43.6



Series W-20

See page 3 for Specifying Information

Liquid Level Gages

How to Specify Jerguson Weld Pad Gages

1 - 7 - RW20 - T - 2H - I - 3.312R - FS

Number of Sections
1 through 4

Glass Size (Gage Series)
1 through 9 (Series W20, W400) or
15, 18, 20 (Series W300L)

Glass Type & Gage Series

Code	Description
RW20	Reflex Series 20 Weld Pad
TW20	Transparent Series 20 Weld Pad
RW400	Reflex Series 400 Weld Pad
RW300L	Reflex Series 300L Weld Pad
TW300L	Transparent Series 300L Weld Pad

Material Code

Code	Description
A	Carbon Steel
T	316SS (wetted components) / Carbon Steel (non-wetted)
SP/T	All 316SS (both wetted and non-wetted components)
Other	Specify / Contact Factory

Pad Style

Code	Description
2H	2-Hole (Std. w/ Reflex Glass)
SL	Vision Slot Thru Pad (Std. w/ Transparent Glass)

Other Options

Code	Description
ISO	Isolable - Series W20 & Series W300L only
__SP	Steel Spacers for Welding (Specify # of Spacers)
FS	Foot/In Scale
MS	M/mm Scale

Chamber Radius

Code	Description
NR	No Radius = Flat Back
3.312R	Radius for 6" NPS (6.625" OD = 3.312"R)
4.312R	Radius for 8" NPS (8.625" OD = 4.312"R)
__ R	Other Radius (__ = Pad Radius, not NPS or Pipe OD)

Seal/Cushion Gasket

Code	Description
I	IFG5500 Seal & Cushion
G	Grafoil Seal, IFG5500 Cushion
GG	Gore Gr Seal (PTFE), IFG5500 Cushion
T	Teflon Seal, IFG5500 Cushion
Other	Specify / Contact Factory

Example Model: 1-7-RW20-T-2H-I-3.312R-FS

Code	Description
1	1 Section
7	Size 7 Glass
RW20	Reflex Series 20 Weld Pad
T	316SS (wetted components) / Carbon Steel (non-wetted)
2H	2-Hole Pad Style
I	IFG5500 Seal & Cushion Gasket
3.312R	Radius for 6" NPS Pipe
FS	Foot/In Scale

Authorised Distributor:



46, Jalan SS 22/21, Damansara Jaya,
47400 Petaling Jaya,
Selangor Darul Ehsan, Malaysia.

Email: ampmech@ampmech.com
Website: www.ampmech.com