



Specialists in Liquid Level Indication

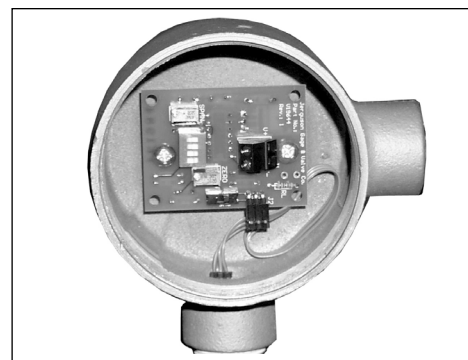
MAGNICATOR® II Level Transmitter Model RST2

Section: M100
Bulletin: M100.22
Date: 1/1/99
Supercedes: NEW

- No Contact with Process
- Easy Installation - Can be Installed Without Taking the Magnicator® II Out of Service
- Explosion Proof/Water Tight
- CL.1 GR. B,C,D-CL.II GR. E,F,G
- RFI interference resistant
- Choice of 2, 3, or 4 Wire
- Optional - 3 1/2 LCD Display
- 4-20 mA Loop Power

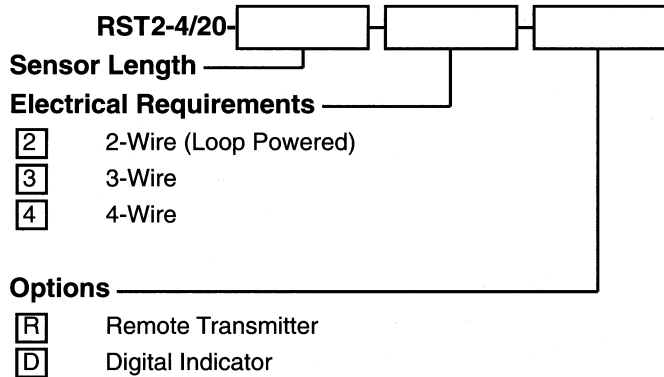
The Jerguson® Magnetic Reed Switch Transmitter (RST2) is a level sensing device designed for use with the Magnicator® II magnetic liquid level gage. The purpose of the RST2 transmitter is to provide a remote signal for level indication and/or control.

The RST2 consists of two components, the **Sensor and Transmitter**. The RST2 sensor is a chain of magnetic reed switches and resistors mounted within a heavy wall stainless steel tubing assembly. As the float within the Magnicator® II responds to liquid level change in the chamber, the float actuates adjacent reed switches. The reed switch and resistors provide a varying resistance output. It is this output that is sensed by the RST2 Transmitter, as an indication of liquid level. The RST2 transmitter will provide a 4-20 mA signal proportional to the liquid level indicated by the Magnicator® II.



Level Transmitter Model RST2

HOW TO ORDER



Specifications

RST Sensor

- Length: Up to 20 Feet (6 meters)
- Resolution: 1/2 inch (13mm)
- Housing: Stainless Steel
- Operating Temp.: to 500°F (Process Temp.) (260°C)

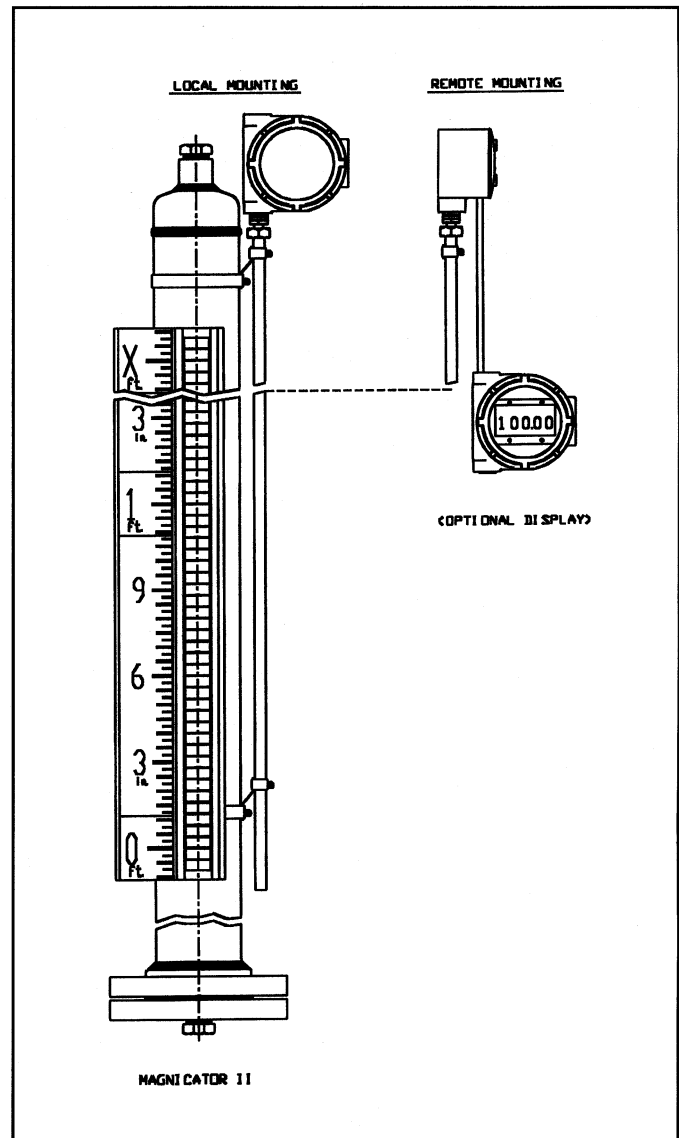
RST Transmitter

- Output Limits: 3.8mA to 26mA.
- Amb. Temp. Range: -20°F to 180°F (-29°C to 82°C)
- Response Time: 300 ms
- Housing: Exp. Proof and water tight

Epoxy powder coat finish
NEMA 4X and NEMA 7X
CL.I GR. B,C,D-CL.II GR. E,F,G
UL Standard: 1203
FM Standard No. 3615
CSA Standard C22.2 No. 30

Power Requirements

- 2-Wire Loop Powered
24 VDC nominal, 50 VDC Max.
- 3-Wire Low Power
8 VDC to 36 VDC @ 6 mA
- 4-Wire AC Power
115 VAC-Standard
230 VAC-Optional



Authorised Distributor:



46, Jalan SS 22/21, Damansara Jaya,
47400 Petaling Jaya,
Selangor Darul Ehsan, Malaysia.

Email: ampmech@ampmech.com
Website: www.ampmech.com



JERGUSON® GAGE AND VALVE
A Division of The Clark • Reliance® Corporation