

LEVEL CONTROL

Bleeding and venting valve EB 1.32

Continuous bleeding valve with DVGW approval for small flow rates



Technical data

Connection G	3/4 x 1/2A
Nominal pressure PN	16
Operating pressure	0 - 16 bar
Flow rate	5.9 Nm ³ /h
Temperature	130 °C
Medium	liquids

Description

Bleeding and venting valves remove air or gases from systems or pipelines without requiring an external energy input. When a system is drained they act as venting valves; venting may be prevented by fitting a non-return valve. The EB 1.32 bleeding/venting valves are compact and lightweight float-controlled valves for water treatment (incl. ozone), pipelines, petrol tanks etc. They are manufactured from deep-drawn stainless steel featuring excellent corrosion resistance.

Top and bottom sections of the valve body are connected by a clamp ring and two bolts. Servicing/maintenance is easy and does not call for special tooling.

The simple design makes it easy to specify, install, handle and service these valves in an industrial environment.

Valves for continuous bleeding must not be overdimensioned. If a larger valve size is selected, a higher working pressure range with a correspondingly lower flow volume should be chosen. In case of doubt we shall be happy to advise you.

On filter vessels the bleed connection is often located in the middle of the vessel. If the flow volume is large and the distance between distribution funnel and bleed connection small, the incoming water jet hits the bleed connection. This will impair the efficiency of the bleed valve and can result in water hammer. This problem may be avoided by installing a baffle or by placing the bleed connection away from the centre.

Standard

- » All stainless steel construction
- » Quick-release body clamp ring

Options

- » Ozone-resistant design
- » Various seal materials suitable for your medium
- » Kunststoffbeschichtung für aggressive Flüssigkeiten
- » non-return valve to avoid venting
- » Special connections: Aseptic, ANSI or JIS flanges, welding ends, other connections on request
- » Special versions on request

Product



Picture similar

Technical specification

Pressure ranges [bar]

0 - 2	0 - 6	0 - 16
-------	-------	--------

Please state working pressure range when enquiring or ordering.

Flow rate [Nm³/h]

Δp bar	Pressure ranges bar *		
	0 - 2	0 - 6	0 - 16
0.1	3.1	1	0.3
0.2	4.4	1.4	0.4
0.5	6.8	2.2	0.6
1	8.6	2.8	0.7
2	12	4.2	1
4		7	1.7
6		9.8	2.4
8			3.1
10			3.8
12			4.5
16			5.9

The quoted flow volumes apply to a fully open valve i.e. in start-up condition at 0 °C and 1,013 mbar. With continuous bleeding e.g. of filter vessels, the maximum flow volume is 30 % less on average.

Bleeding and venting valve EB 1.32

Continuous bleeding valve with DVGW approval for small flow rates

Materials

Materials*		
Design	standard	ozone resistant
Temperature	130 °C	80°C
Body	stainless steel	stainless steel
Body seal	EPDM	FKM
Internals	stainless steel	stainless steel
Float	stainless steel	stainless steel
Valve seal	EPDM	CSM
Profile clamp	stainless steel	stainless steel

*All materials equal or of higher quality

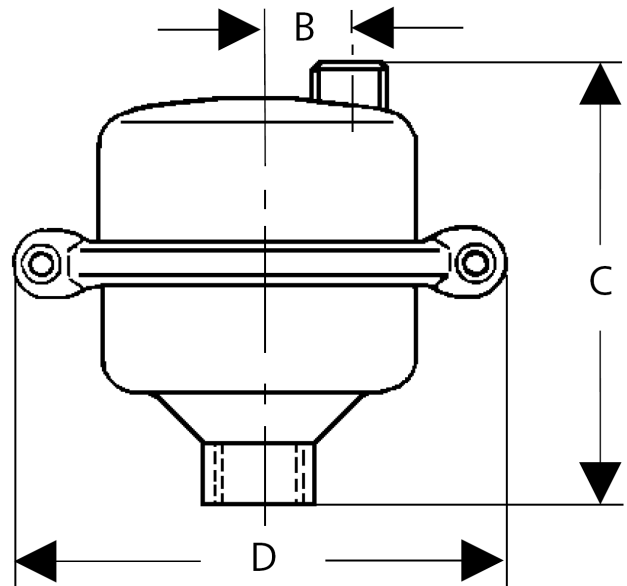
Dimensions and weights

Dimensions [mm]	
size	inlet female G 3/4, outlet male G 1/2 A
B	27
C	135
D	140

*overall length tolerances in acc. with DIN EN 558

Weights [kg]	
	0.8

Customs tariff number	
	84818059



Mankenberg GmbH | Spenglerstrasse 99 | D-23556 Luebeck | Germany

Authorised Distributor:



46, Jalan SS 22/21, Damansara Jaya,
47400 Petaling Jaya,
Selangor Darul Ehsan, Malaysia.

Email: ampmech@ampmech.com

Website: www.ampmech.com

Please send us your enquiry and allow us to advise you. Special designs on request.
The pressure has always been indicated as overpressure. Mankenberg reserves the right to alter technical specifications without notice.