

LEVEL CONTROL

Bleeding and venting valve EB 1.74

Combined bleeding valve for medium flow rates



Technical data

Connection DN	50 - 150
Nominal pressure PN	16 bar
Operating pressure	0.2 - 8 bar
Flow rate	1783 Nm ³ /h
Temperature	130 °C
Medium	liquids

Description

Bleeding and venting valves remove air or gases from systems or pipelines without requiring an external energy input. When a system is drained they act as venting valves; venting may be prevented by fitting a non-return valve. The EB 1.74 bleeding/venting valve is a combined start-up/continuous bleeding/venting valve with float control. It is manufactured from deep-drawn stainless steel with excellent corrosion resistance. The valve cone can be fitted with a soft or metallic seal.

Top and bottom sections of the valve body are connected by a clamp ring and two bolts. Servicing/maintenance is easy and does not call for special tools.

During start-up a large volume of air is bled at low pressure via a large valve cone. When the bleed valve is closed and small air volumes have to be bled during continuous operation, an additional smaller cone in the valve opens and bleeds these smaller volumes. The large cone will not open until the liquid level and the pressure drops. The valve opens immediately if a vacuum forms. **The minimum pressure required for valve sealing is 0.2 bar.**

These valves are no shut-off elements ensuring a tight closing of the valve. These valves are no shut-off elements ensuring a tight closing of the valve. In accordance with DIN EN 60534-4 or ANSI FCI 70-2 they may feature a leakage rate in closed position in compliance with the leakage classes IV (metallic-sealed 0,01 % Kvs value), optionally leakage class V (soft-sealed $\Delta p > 1$ bar).

Standard

- » All stainless steel construction
- » Quick-release body clamp ring

Options

- » Ozone-resistant design
- » Various seal materials suitable for your medium
- » Kunststoffbeschichtung für aggressive Flüssigkeiten
- » non-return valve to avoid venting
- » Special connections: Aseptic, ANSI or JIS flanges, welding ends, other connections on request
- » Special versions on request

Product



Picture similar

Technical specification

K_{vs} values [m³/h]

nominal diameter	DN	50	65 - 100	150
Continuous bleeding seat	Ø	Ø4	Ø6	Ø9
K _{vs} value	m ³ /h	0.3164	0.7119	1.6019

Air flow rate Nm³/h at 0°C, 1013 mbar

	Δp bar	nominal diameter DN				
		50	65	80	100	150
start-up ventilation	0.05	113		396		728
	0.1	159		560		1030
	0.2	225		790		1455
	0.3	276		970		1783
continuous ventilation	1	11		25		55
	2	16		38		85
	4	28		63		140
	6	39		88		209
	8	50		114		250
venting	0.1	150		530		975
	0.2	200		710		1300
	0.3	230		810		1490
	0.4	245		870		1595

Bleeding and venting valve EB 1.74

Combined bleeding valve for medium flow rates

Materials

Materials*	
Body	Stainless steel
Body seal	EPDM
Internals	Stainless steel
Float	Stainless steel
Valve seal	EPDM+ metallic
Profile clamp	Stainless steel

*All materials equal or of higher quality

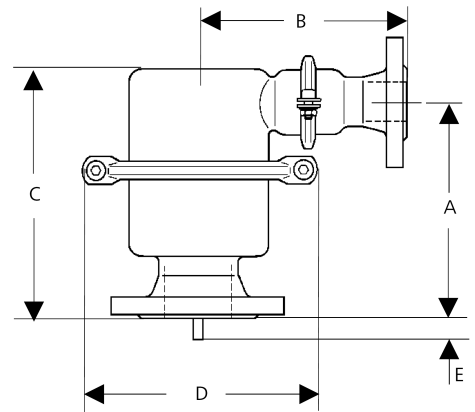
Dimensions and weights

Dimensions [mm]					
size	nominal diameter DN				
	50/50	65/65	80/65	100/65	150/80
A	285	285	300	265	695
B	175	235	235	235	300
C	325	330	340	310	795
D	200	265	265	265	273
	25	40	25	55	-

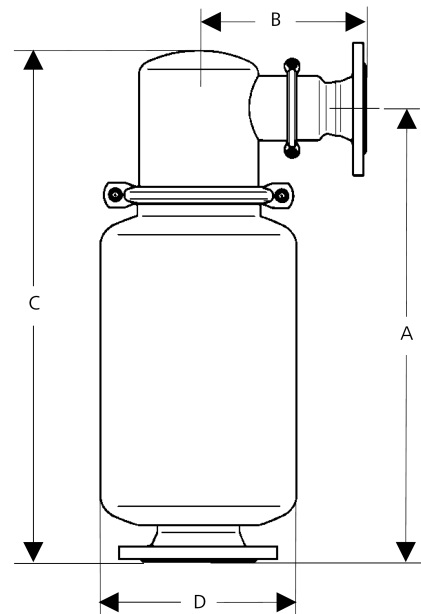
Weight [kg]					
nominal diameter DN					
50	65	80	100	150	
9	15.5	16	16.5	45	

Customs tariff number	
84818059	

DN 50 - 100



DN 150



Authorised Distributor:



46, Jalan SS 22/21, Damansara Jaya,
47400 Petaling Jaya,
Selangor Darul Ehsan, Malaysia.

Email: ampmech@ampmech.com

Website: www.ampmech.com

Please send us your enquiry and allow us to advise you. Special designs on request.
The pressure has always been indicated as overpressure. Mankenberg reserves the right to alter technical specifications without notice.