

LEVEL CONTROL

Bleeding and venting valve EB 1.84

Combined bleeding valve for dirty water and sewage



Technical data

Connection DN	50 - 150
Nominal pressure PN	10 - 16
Operating pressure	0.2 - 16 bar
Flow rate	1100 Nm ³ /h
Temperature	60 °C
Medium	liquids

Description

Bleeding and venting valves remove air or gases from systems or pipelines without requiring an external energy input. When a system is drained they act as venting valves; venting may be prevented by fitting a non-return valve. The EB 1.84 bleeding/venting valve is a combined start-up/continuous bleeding/venting valve with float control for waste water and effluents as well as foaming media. The enlarged float chamber prevents contact between the dirty water and the upper part of the closing mechanism. It is manufactured from deep-drawn stainless steel featuring excellent corrosion resistance. The valve cone can be fitted with a soft or metallic seal. Top and bottom sections of the valve body are connected by a clamp ring and two bolts. Servicing/maintenance is easy and does not call for special tools.

During start-up a large volume of air is bled at low pressure via a large valve cone. When the bleed valve is closed and small air volumes have to be bled during continuous operation, an additional smaller cone in the valve opens and bleeds these smaller volumes. The large cone will not open until the liquid level and the pressure drops. The valve opens immediately if a vacuum forms. **The minimum pressure required for valve sealing is 0.3 bar**

These valves are no shut-off elements ensuring a tight closing of the valve. These valves are no shut-off elements ensuring a tight closing of the valve. In accordance with DIN EN 60534-4 or ANSI FCI 70-2 they may feature a leakage rate in closed position in compliance with the leakage classes IV (metallic-sealed 0,01 % Kvs value), optionally leakage class V (soft-sealed $\Delta p > 1$ bar).

Standard

- » All stainless steel construction
- » Quick-release body clamp ring
- » Outlet with tube $\varnothing 58 \times 2$ mm (DN 50) / $90 \times 2,5$ mm (DN 65 - 150)
- » Operating pressure 0 - 10 bar

Options

- » Operating pressure 0 - 16 bar
- » Purging connection made of 1.4404
- » Discharge tap
- » Various seal materials suitable for your medium
- » Kunststoffbeschichtung für aggressive Flüssigkeiten
- » non-return valve to avoid venting
- » Sleeve or flange connection
- » Special connections: Aseptic, ANSI or JIS flanges, welding ends, other connections on request
- » Special versions on request

Operating instructions, know how and safety instructions must be observed. The pressure has always been indicated as overpressure. We reserve the right to alter technical specifications without notice.

Product



Picture similar

Technical specification

K_{vs} values [m³/h]

nominal diameter	DN	50	65 - 100	150
Continuous bleeding seat	\varnothing	$\varnothing 4$	$\varnothing 6$	$\varnothing 9$
K _{vs} value	m ³ /h	0.3164	0.7119	1.6019

Air flow rate Nm³/h at 0°C, 1013 mbar

	Δp bar	nominal diameter DN				
		50	65	80	100	150
start-up ventilation	0.05	113		396		728
	0.1	159		560		1030
	0.2	225		790		1455
	0.3	276		970		1783
continuous ventilation	1	11		25		55
	2	16		38		85
	4	28		63		140
	6	39		88		209
	8	50		114		250
venting	0.1	150		530		975
	0.2	200		710		1300
	0.3	230		810		1490
	0.4	245		870		1595

Bleeding and venting valve EB 1.84

Combined bleeding valve for dirty water and sewage

Materials

Materials*	
Body	Stainless steel
Body seal	EPDM
Internals	Stainless steel
Float	Stainless steel
Valve seal	EPDM+ metallic
Profile clamp	Stainless steel

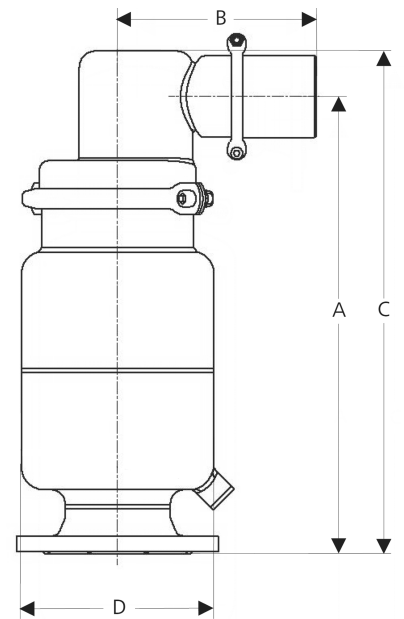
*All materials equal or of higher quality

Dimensions and weights

Dimensions [mm]					
size	nominal diameter				
	DN 50	DN 65	DN 80	DN 100	DN 150
A	470	518	500	500	518
B	175	217	217	217	217
C	515	575	555	555	575
D	265/ø 210	265/ø 210	265/ø 210	265/ø 210	ø 285

Weight [kg]					
nominal diameter					
DN 50	DN 65	DN 80	DN 100	DN 150	
15	20	21	21	22	

Customs tariff number	
84818059	

**Authorised Distributor:**

46, Jalan SS 22/21, Damansara Jaya,
47400 Petaling Jaya,
Selangor Darul Ehsan, Malaysia.

Email: ampmech@ampmech.com

Website: www.ampmech.com

Please send us your enquiry and allow us to advise you. Special designs on request.
The pressure has always been indicated as overpressure. Mankenberg reserves the right to alter technical specifications without notice.