

LEVEL CONTROL

Bleeding and venting valve EB 3.51

Start-up bleeding valve for minimal closing pressure



Technical data

Connection DN	25 - 100
Nominal pressure PN	16
Operating pressure	0.05 - 21 bar
Flow rate	1070 Nm ³ /h
Temperature	80 °C
Medium	liquids

Description

Bleeding and venting valves remove air or gases from systems or pipelines without requiring an external energy input. When a system is drained, they act as venting valves; venting may be prevented by fitting a non-return valve.

Owing to their large seat cross section, the valves are suitable for discharging large air quantities at low pressures. They close when filled with the fluid. With the level falling, the valve will only open if the pressure is relieved simultaneously, it does not open under operating pressure.

EB 3.51 is a float-controlled start-up bleeding valve. It is completely made of deep-drawn stainless steel parts featuring excellent corrosion resistance. The float is guided exactly in the inlet connection. The valve seat is designed to be soft seal tight. The minimum pressure for the valve seal amounts only 0,05 bar.

If additional small quantities of air are also flowing in continuous operation, a double breather, e.g. EB 1.74, should be used.

Top and bottom sections of the valve body are connected by a clamp ring and two bolts. Servicing/maintenance is easy and does not call for special tooling.

Standard

- » All stainless steel construction
- » Degassing bend
- » Quick-release body clamp ring

Options

- » Cap with insect protection
- » Outlet with flange connection

Product



Picture similar

Technical specification

Start-up bleeding air flow rate [Nm³/h] at 0°C, 1013 mbar

Δp bar	nominal diameter DN						
	25	32	40	50	65	80	100
0.05	100	170	220	350	430	430	430
0.1	130	240	320	500	620	620	620
0.2	190	330	450	710	870	870	870
0.3	230	410	550	870	1070	1070	1070

Venting air flow [Nm³/h] at 0°C, 1013 mbar

Δp bar	nominal diameter DN						
	25	32	40	50	65	80	100
0.1	130	220	300	470	580	580	580
0.2	170	300	400	630	780	780	780
0.3	200	340	460	720	900	900	900
0.4	210	360	490	770	950	950	950

Bleeding and venting valve EB 3.51

Start-up bleeding valve for minimal closing pressure

Materials

Materials*	
Body	stainless steel
Body sealing	EPDM
Internal parts	stainless steel
Float	stainless steel
Valve seal	NBR
Profile clamp	stainless steel

*All materials equal or of higher quality

Dimensions and weights

Dimensions [mm] with degassing bend							
size	nominal diameter DN						
	25	32	40	50	65	80	100
A	292	293	295	300	296	300	300
AE*	49	49	49	83	83	83	83
D	200	200	200	200	200	200	200
F	1 ½	1 ½	1 ½	2 ½	2 ½	2 ½	2 ½

*overall length tolerances in acc. with DIN EN 558

Weights [kg] with degassing bend							
nominal diameter DN							
25	32	40	50	65	80	100	
5.1	5.7	6	6	6.4	7.4	7.9	

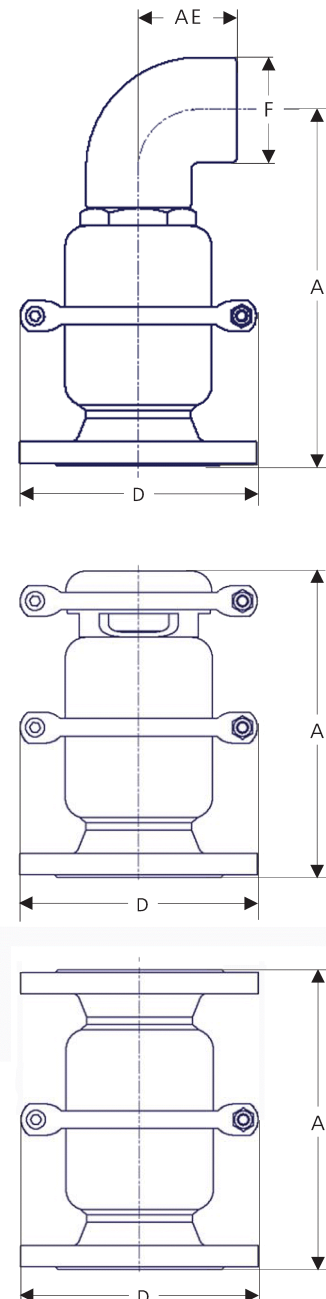
Dimensions [mm] with protection cap							
size	nominal diameter DN						
	25	32	40	50	65	80	100
A*	255	257	260	258	254	260	260
D	200	200	200	200	200	200	200

Weights [kg] with protection cap							
nominal diameter DN							
25	32	40	50	65	80	100	
5.5	6.1	6.4	6.8	7.2	8.3	8.8	

Dimensions [mm] with output flange							
size	nominal diameter DN						
	25	32	40	50	65	80	100
A	272	276	281	280	233	238	238
D	200	200	200	200	200	200	200

Weights [kg] with outlet flange							
nominal diameter DN							
25	32	40	50	65	80	100	
5.6	6.8	7.3	8.1	8.5	10.4	12.0	

Customs tariff number	
84818059	



Mankenberg GmbH | Spenglerstrasse 99 | D-23556 Luebeck | Germany

Please send us your enquiry and allow us to advise you. Special designs on request.
The pressure has always been indicated as overpressure. Mankenberg reserves the right to alter technical specifications without notice.

Authorised Distributor:



47400 Petaling Jaya,
Selangor Darul Ehsan, Malaysia.
Email: ampmech@ampmech.com
Website: www.ampmech.com