

PRESSURE CONTROL

Back pressure regulators RP 820 Eck

High pressure valve for high to very high flow rates



Technical data

Connection DN	40 - 150
Nominal pressure PN	10 - 100
Inlet pressure	2 - 63 bar
Differential pressure	min. 2 bar
K_{vs} value	20 - 250 m ³ /h
Temperature	130 °C
Medium	liquids and gases

Description

Self-acting back pressure regulators are simple control valves offering accurate control while being easy to install and maintain. They control the pressure upstream of the valve without requiring pneumatic or electrical control elements.

The RP 820 back pressure regulator is a pilot-controlled control valve consisting of a main valve, a pilot valve complete with restrictor assembly and built-in strainer mounted on the cover of the main valve, non-return valve and restrictor valves. The valve cone is either metallic or soft-sealed.

These valves are no shut-off elements ensuring a tight closing of the valve. In accordance with DIN EN 60534-4 and/or ANSI FCI 70-2 they may feature a leakage rate in closed position in compliance with the leakage classes III or V.

Standard

- » Pilot valve made of stainless steel
- » Throttle block with integrated strainer and throttle valves completely made of stainless steel
- » Internal piping made of stainless steel

Optionen

- » Damping for gas applications
- » Hard-faced valve cone and seat
- » Special materials such as Duplex, Superduplex, Hastelloy® or titanium, others on request
- » Various O-ring and seal materials suitable for your medium
- » Special connections: Aseptic, ANSI or JIS flanges, welding ends, other connections on request
- » Special versions on request

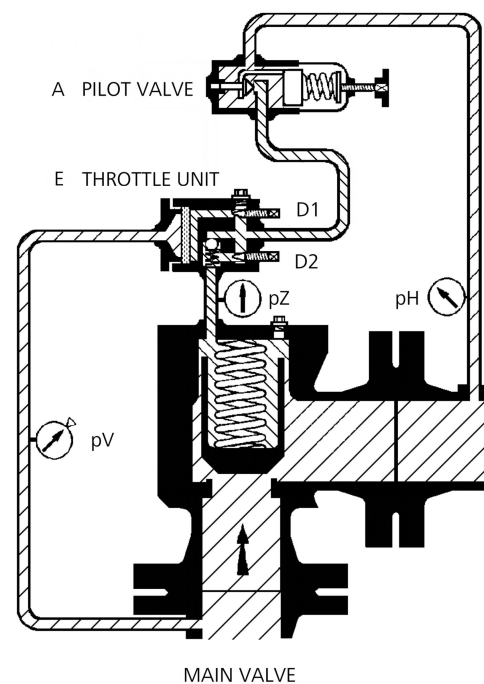
Product



Picture similar

Technical specification

Valeur K_{vs} [m ³ /h]							
nominal diameter DN	40	50	65	80	100	125	150
K_{vs} values m ³ /h	20	32	50	60	70	150	250
Setting ranges [bar], nominal pressure							
2 - 5	4 - 12	10 - 20	15 - 40	45 - 63			
PN 10	PN 25	PN 40	PN 63	PN 100			



PRESSURE CONTROL

Back pressure regulators RP 820 Eck

High pressure valve for high to very high flow rates



Materials

Materials		
Temperature	80 °C	130 °C
Body	Steel optional stainless steel	
Cover	Steel optional stainless steel	
Inner parts	Stainless steel	
Valve seal	NBR or stainless steel	EPDM or stainless steel
O-ring	NBR	EPDM
Pilot valve	Stainless steel	Stainless steel
Throttle unit		

Dimensions and weights

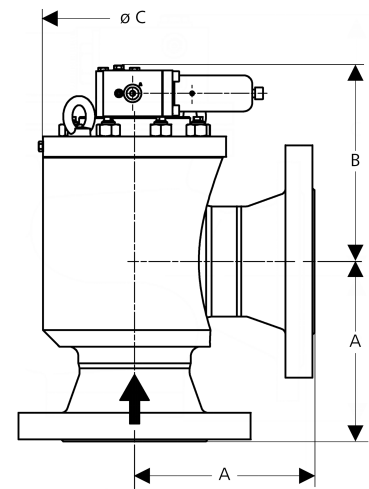
Dimensions [mm]								
nominal pressure	size	nominal diameter DN						
		40	50	65	80	100	125	150
PN 10 - 16	A*	115	125	145	155	175	200	225
PN 25 - 40	A*	115	125	145	155	175	200	225
PN 63 - 160	A*	130	150	170	190	215	250	275
all PN	B	200	210	210	230	260	290	300
all PN	C	160	160	180	200	220	280	280

*overall length tolerances in acc. with DIN EN 558

Weights [kg]								
nominal pressure	nominal diameter DN							
	40	50	65	80	100	125	150	
PN 10 - 16	*	*	*	70	*	*	*	
PN 25 - 40	*	40	*	*	100	*	*	
PN 63 - 160	35	*	50	*	*	180	200	

* on request

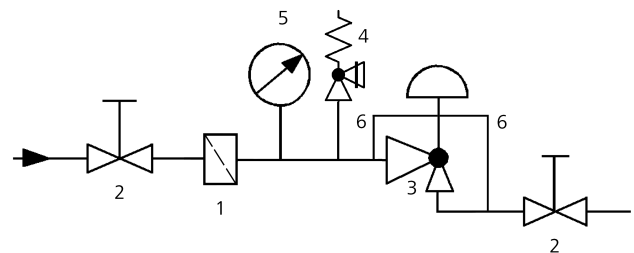
Customs tariff number	
84814010	



Recommended installation

- | | |
|---------------------------|------------------|
| 1 Strainer | 4 Safety valve |
| 2 Shut-off valves | 5 Pressure gauge |
| 3 Back pressure regulator | 6 Sense line |

Sense line connection 10 x DN before and behind the valve



Mankenberg GmbH | Spenglerstrasse 99 | D-23556 Luebeck | Germany

Authorised Distributor:



46, Jalan SS 22/21, Damansara Jaya,
47400 Petaling Jaya,
Selangor Darul Ehsan, Malaysia.

Email: ampmech@ampmech.com

Website: www.ampmech.com

Please send us your enquiry and allow us to advise you. Special designs on request.
The pressure has always been indicated as overpressure. Mankenberg reserves the right to alter technical specifications without notice.