

Separator AS 5

Gas separator with integrated bleeding/venting valve



Technical data

Connection DN	50
Nominal pressure PN	16
Operating pressure	0 - 16 bar
Flow velocity	< 1 m/s
Temperature	130 °C
Medium	liquids

Description

By means of a special packed bed, the Mankenberg gas separators ensure that the gases bound with the fluid are separated and automatically discharged. This works without additional auxiliary energy and without pressure loss.

AS 5 gas separators are of straight design. The body and the packing bed are made of stainless steel with excellent corrosion resistance. The valve cone of the integrated bleeding and venting valve is soft sealed.

The special shape of the packing bed components combines high throughput and low fluid resistance with utmost separating effectiveness.

Top and bottom sections of the valve body are connected by a clamp ring and two bolts. Servicing/maintenance is easy and does not call for special tooling.

The fluid flushes the special fillers and, during this process, the gases remain stuck to the fillers in the form of micro bubbles. These bubbles then accumulate and rise. The integrated bleeding valve automatically discharges the gases without any pressure loss.

Standard

- » All stainless steel construction
- » Quick-release body clamp ring

Options

- » Ozone-resistant design
- » Various seal materials suitable for your medium
- » Special connections: ANSI or JIS flanges, welding spigots; other connections on request
- » Special versions on request

Product



Picture similar

Technical specification

Flow rate [Nm³/h] outlet 1/2A			
Δp bar	pressure range bar *		
	0 - 2	0 - 6	0 - 16
0.1	3.1	1	0.3
0.2	4.4	1.4	0.4
0.5	6.8	2.2	0.6
1	8.6	2.8	0.7
2	12	4.2	1
4	-	7	1.7
6	-	9.8	2.4
8	-	-	3.1
10	-	-	3.8
12	-	-	4.5
16	-	-	5.9

Flow rate [Nm³/h] outlet 3/4A				
Δp bar	pressure range bar *			
	0 - 2	0 - 6	0 - 10	0 - 16
0.1	14	64	4.1	3.1
0.2	20	9	5.7	4.4
0.5	31	13	8.9	6.8
1	39	17	11	8.6
2	59	26	16	12
4	-	44	28	21
6	-	61	39	30
8	-	-	50	38
10	-	-	62	47
12	-	-	-	53
16	-	-	-	73

The quoted flow volumes apply to a fully open valve i.e. in start-up condition at 0 °C and 1013 mbar. With continuous bleeding e.g. of filter vessels, the maximum flow volume is 30 % less on average.

* Please note: Smaller seat diameter for higher pressure range. If the selected working pressure range is too high, the flow volume may be inadequate.

Separator AS 5

Gas separator with integrated bleeding/venting valve

Materials

Materials*	
Body	stainless steel 1.4404 / 316L
Body seal	EPDM
Internals	stainless steel 1.4404 / 316L
Filling basket	stainless steel 1.4301 / 304
Packing bed	stainless steel 1.4404 / 316L
Float	stainless steel 1.4404 / 316L
Valve seal	EPDM
Profile clamp	stainless steel 1.4404 / 316L

*All materials equal or of higher quality

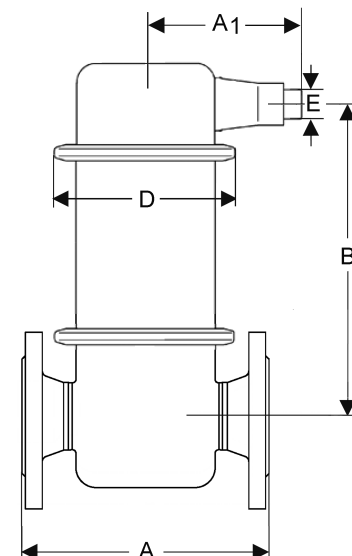
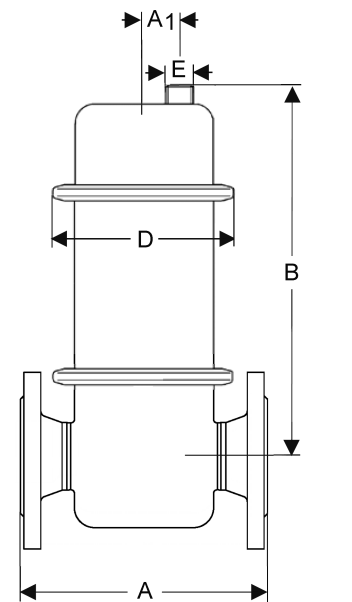
Dimensions and weights

Dimensions sleeve connection [mm]		
size	nominal diameter	
		G 1/2
A*	220	220
A ₁	36	140
B	262	243
D	150 / 200	150 / 200

*overall length tolerances in acc. with DIN EN 558

Weights [kg]		
nominal diameter outlet		
		G 1/2
	10.5	11

Customs tariff number	
84818099	



Mankenberg GmbH | Spenglerstrasse 99 | D-23556 Luebeck | Germany

Authorised Distributor:



46, Jalan SS 22/21, Damansara Jaya,
47400 Petaling Jaya,
Selangor Darul Ehsan, Malaysia.
Email: ampmech@ampmech.com
Website: www.ampmech.com

Please send us your enquiry and allow us to advise you. Special designs on request.
The pressure has always been indicated as overpressure. Mankenberg reserves the right to alter technical specifications without notice.