

## LEVEL CONTROL

# Steam trap

Valve for high flow rates

# MANKENBERG

### Technical data

Connection DN	15 - 25
Nominal pressure PN	16
Operating pressure	0 - 12 bar
Flow rate	2000 l/h
Temperature	190 °C
Medium	steam

### Description

Steam traps automatically drain condensate without loss of steam or gas. They operate instantaneously and are not affected by back pressure or pressure fluctuations. They do not require an external energy input.

KA 3 is a float-controlled steam trap for all applications and especially suitable for corrosive condensate and applications in the food industry. They are entirely manufactured from stainless steel featuring excellent corrosion resistance. The valve cone is fitted with a metallic seal. The KA 3 steam trap is fitted with thermal internal bleeding as standard. For draining condensate from compressed air or gases a special version without thermal bleeding can be supplied featuring G ½ connection on the top section of the valve for connecting an expansion pipe.

Top and bottom sections of the valve body are connected by a clamp ring and two bolts. Servicing/maintenance is easy and does not call for special tooling.

For clean room applications or for condensate subject to stringent purity requirements, KA 3 can be supplied with electropolished or bead-blasted surface finish.

The simple design makes it easy to specify, install, handle and service these valves in an industrial environment.

### Standard

- » All stainless steel construction
- » Quick-release body clamp ring
- » Thermal internal bleeding

### Options

- » Various seal materials suitable for your medium
- » Bead-blasted or electropolished surface finish for clean or sterile rooms

### Product



Picture similar

### Technical specification

#### Pressure ranges [bar]

bar	0 - 2	0 - 4	0 - 12
-----	-------	-------	--------

#### Flow rate [l/h]\*

Δp bar	pressure range		
	0 - 2	0 - 4	0 - 12
0.1	300	205	100
0.2	510	290	140
0.5	900	462	220
1	1300	655	315
2	2000	925	445
3		1130	545
4		1300	630
6			805
8			940
10			1080
12			1180

\*Cold condensate (20°C)

LEVEL CONTROL  
**Steam trap**  
 Valve for high flow rates



**Materials**

Materials*	
Body	stainless steel
Body seal	FEPM
Seat, cone	stainless steel
Float	stainless steel

\*All materials equal or of higher quality

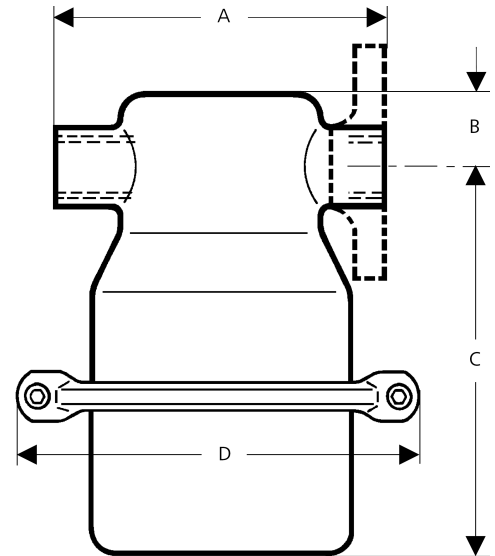
**Dimensions and weights**

Dimensions [mm]						
size	nominal diameter					
	G 1/2	G 3/4	G 1	DN 15	DN 20	DN 25
A*	160	160	160	230	230	230
B	35	35	35	38.5	38.5	38.5
C	190	190	190	173	173	173
D	200	200	200	200	200	200

\*overall length tolerances in acc. with DIN EN 558

Weights [kg]						
nominal diameter						
G 1/2	G 3/4	G 1	DN 15	DN 20	DN 25	
2.6	2.6	2.6	4	4.6	5	

Customs tariff number	
84818059	



Mankenberg GmbH | Spenglerstrasse 99 | D-23556 Luebeck | Germany

**Authorised Distributor:**



46, Jalan SS 22/21, Damansara Jaya,  
 47400 Petaling Jaya,  
 Selangor Darul Ehsan, Malaysia.  
 Email: [ampmech@ampmech.com](mailto:ampmech@ampmech.com)  
 Website: [www.ampmech.com](http://www.ampmech.com)

Please send us your enquiry and allow us to advise you. Special designs on request.  
 The pressure has always been indicated as overpressure. Mankenberg reserves the right to alter technical specifications without notice.