

LEVEL CONTROL

Float valve NV 16e

Valve for medium to high flow rates



Technical data

Connection DN	15 - 150
Nominal pressure PN	16 - 40
Operating pressure	0 - 16 bar
K_{vs} value	4 - 160 m ³ /h
Temperature	130 °C
Medium	liquids

Description

Float valves automatically control liquid levels in sealed or open (non-pressurised) tanks and vessels without requiring external energy. The float registers the liquid level and directly controls the valve via a lever. A change in the liquid level immediately results in a changed flow volume.

NV 16e is a pipeline valve for horizontal or vertical flow. The valve cone is fitted with a soft seal.

The valves are fitted with a float bar on which a float featuring an inner tube is mounted. By changing the position of the float on the bar the required liquid level is infinitely variable.

The following note applies to float valves fitted with float bars: If the liquid level is below the float bar i.e. if the float points downwards, a guide for the float bar should be installed.

When enquiring or ordering please quote the suffix letters given below:

Z = inlet. Valve closes when float rises

A = outlet. Valve closes when float drops

w = horizontal flow

o = upward flow

u = downward flow

example: float valve Z/w (inlet valve for horizontal flow).

Standard

- » Float bar 1m length of stainless steel
- » Cylindrical float SC 8 stainless steel

Options

- » Float bar in special length
- » Rubber or plastic coating for corrosive fluids
- » Various seal materials suitable for your medium
- » Special versions on request

Product



Picture similar

Technical specification

K_{vs} values [m³/h]

nominal diameter DN	15	20	25	40	50
K_{vs} values m ³ /h	4	5	6	20	32

K_{vs} values [m³/h]

nominal diameter DN	65	80	100	125	150
K_{vs} values m ³ /h	50	80	100	140	160

LEVEL CONTROL
Float valve NV 16e
 Valve for medium to high flow rates



Materials

Materials	
Body	cast steel optional stainless steel
Cone and seat	grey cast iron, CR-steel
Piston and spindle	Cr-steel optional stainless steel
Valve seal	EPDM
Linkage	steel zincd or steel
Float rod	stainless steel
Float	stainless steel

Dimensions and weights

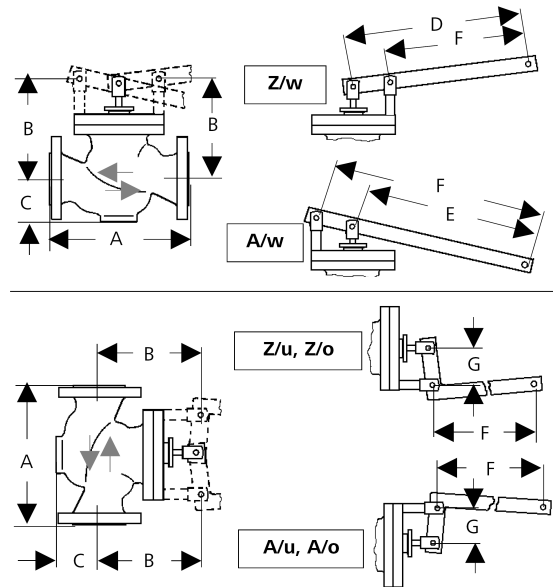
Dimensions [mm] and weights [kg] PN 16**										
size	nominal diameter DN									
	15	20	25	40	50	65	80	100	125	150
A*	130	150	160	200	230	290	310	350	400	480
B	175	175	175	195	195	290	290	290	325	400
C	55	55	55	125	125	105	105	105	185	200
D	360	360	360	480	480	640	640	640	760	895
E	270	270	270	360	360	4800	480	480	570	675
F	315	315	315	420	420	560	560	560	665	785
G	45	45	45	60	60	80	80	80	95	110
weights without float										
kg	8	9	10	17.5	22.5	44.5	52.5	64.5	93	123

*overall length tolerances in acc. with DIN EN 558
 ** PN 25/40 on request

Dimensions [mm] and weights [kg] cylindrical float SC 8 (ø = height)										
nominal diameter DN	15	20	25	40	50	65	80	100	125	150
float ø mm	200	200	200	280	280	305	305	305	340	340
kg	1.3	1.3	1.3	3.2	3.2	3.8	3.8	3.8	4.6	4.6

Customs tariff number

84818059



Mankenberg GmbH | Spenglerstrasse 99 | D-23556 Luebeck | Germany

Authorised Distributor:



46, Jalan SS 22/21, Damansara Jaya,
 47400 Petaling Jaya,
 Selangor Darul Ehsan, Malaysia.
 Email: ampmech@ampmech.com
 Website: www.ampmech.com

Please send us your enquiry and allow us to advise you. Special designs on request.
 The pressure has always been indicated as overpressure. Mankenberg reserves the right to alter technical specifications without notice.