

LEVEL CONTROL

Float valve NV 66e

Start-up bleeding valve for medium flow rates

MANKENBERG

Technical data

Connection DN	15 - 100
Nominal pressure PN	16
Operating pressure	0 - 16 bar
K _{vs} value	4 - 100 m ³ /h
Temperature	130 °C
Medium	liquids

Description

Float valves automatically control liquid levels in sealed or open (non-pressurised) tanks and vessels without requiring external energy. The float registers the liquid level and directly controls the valve via a lever. A change in the liquid level immediately results in a changed flow volume.

NV66e is a single-seated, relieved pipe valve for horizontal or vertical flow capable of handling large volumes. The valves are made from deep-drawn stainless steel featuring excellent corrosion resistance. The valve cone is fitted with a soft seal.

Top and bottom sections of the valve body are connected by a clamp ring and two bolts. Servicing/maintenance is easy and does not call for special tooling.

The valves are fitted with a float bar on which a float featuring an inner tube is mounted. By changing the position of the float on the bar the required liquid level is infinitely variable.

The following note applies to float valves fitted with float bars: If the liquid level is below the float bar i.e. if the float points downwards, a guide for the float bar should be installed.

When enquiring or ordering please quote the suffix letters given below:

Z = inlet. Valve closes when float rises

A = outlet. Valve closes when float drops

w = horizontal flow

o = upward flow

u = downward flow

example: float valve Z/w (inlet valve for horizontal flow).

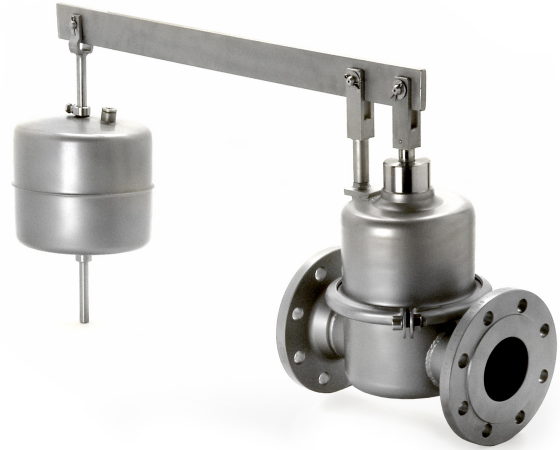
Standard

- » All stainless steel construction
- » Quick-release body clamp ring
- » Float bar 1m length of stainless steel
- » Cylindrical float SC 8 stainless steel

Options

- » Various seal materials suitable for your medium
- » Special connections: Aseptic, ANSI or JIS flanges, welding ends, other connections on request
- » Special versions on request

Product



Picture similar

Technical specification

K _{vs} values [m ³ /h]							
nominal diameter DN							
15	20	25	40	50	65	80	100
4	5	6	20	32	50	80	100

LEVEL CONTROL Float valve NV 66e

Start-up bleeding valve for medium flow rates



Materials

Materials	
Body	stainless steel
Cone, seat	stainless steel
Piston, spindle	stainless steel
Valve seal	EPDM
Linkage	stainless steel
Float rod	stainless steel
Float	stainless steel

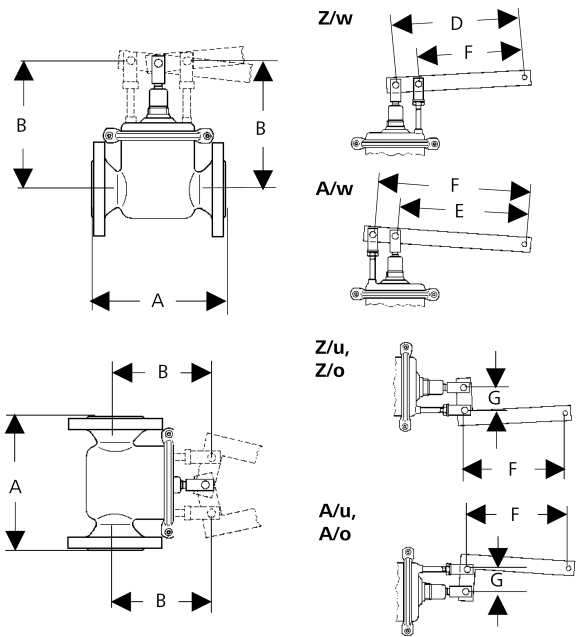
Dimensions and weights

Dimensions [mm] and weights [kg]								
size	nominal diameter DN							
	15	20	25	40	50	65	80	100
A*	160	160	160	200	230	290	310	350
B	185	185	185	220	220	325	325	325
D	360	360	360	480	480	640	640	640
E	270	270	270	360	360	480	480	480
F	315	315	315	420	420	560	560	560
G	45	45	45	60	60	80	80	80
kg	5.8	6.2	6.5	14	14.5	28.5	30.5	31.5

*overall length tolerances in acc. with DIN EN 558

Dimensions [mm] and weights [kg] cylindrical float SC 8 (ø = height)								
nominal diameter DN	15	20	25	40	50	65	80	100
float ø mm	200	200	200	280	280	305	305	305
kg	1.3	1.3	1.3	3.2	3.2	3.8	3.8	3.8

Customs tariff number: 84818059



Mankenberg GmbH | Spenglerstrasse 99 | D-23556 Luebeck | Germany

Authorised Distributor:



46, Jalan SS 22/21, Damansara Jaya,
47400 Petaling Jaya,
Selangor Darul Ehsan, Malaysia.

Email: ampmech@ampmech.com

Website: www.ampmech.com

Please send us your enquiry and allow us to advise you. Special designs on request.
The pressure has always been indicated as overpressure. Mankenberg reserves the right to alter technical specifications without notice.