

PIPELINE ANCILLARIES

Strainers and filters SF 6.00

Pot strainer



Technical data

Connection DN	15 - 100
Connection G	1/2 - 2
Nominal pressure PN	16
Temperature	130 °C
Medium	liquids, gases and steam

Description

Strainers protect plant and equipment such as regulators, valves, measuring equipment against damage or operational failure caused by contamination. They are essential for start-up as well as continuous operation.

SF 6.00 is entirely manufactured from deep-drawn stainless steel featuring excellent corrosion resistance. The flat stainless steel strainer mesh which is positioned perpendicular to the flow, and the straight-through flow result in a minimum pressure drop and a large sludge collecting chamber.

Top and bottom sections of the valve body are connected by a clamp ring and two bolts. Servicing/maintenance is easy and does not call for special tooling.

Cleaning is extremely simple and quick. Only the cover has to be removed for dismantelling.

Installation can be carried out in any position; installation with the cover at the bottom is recommended.

Standard

- » All stainless steel construction
- » Stainless steel mesh, mesh size 0.5 mm
- » Quick-release body clamp ring

Options

- » Screen mesh size 0.25 mm, 1 mm or 2.5 mm
- » Various seal materials suitable for your medium
- » special connections: Aseptic, ANSI or JIS flanges, welding ends, other connections on request
- » special versions on request

Product



Picture similar

Technical specification

Screen Netting

screen	light screen aperture mm	open screen area %
No. 3	0.25	41
No. 4	0.50	51
No. 5	1.0	67
No. 7	2.5	69

Screen plane cm²

nominal diameter		
DN 15 - 50	DN 65 - 80	DN 100
G 1/2 - 2	-	-
60	114	152

PIPELINE ANCILLARIES
Strainers and filters SF 6.00

Pot strainer



Materials

Materials	
Body	stainless steel
seal	EPDM
Screen Netting	stainless steel
Screen frame	stainless steel
cover fastening	stainless steel profile clamp

Dimensions and weights

Dimensions sleeve connection [mm]

size	nominal diameter G					
	1/2	3/4	1	1 1/4	1 1/2	2
A ₁ *	110	110	110	110	110	160
B	105	105	105	105	105	105
C	155	155	155	155	155	155
D	140	140	140	140	140	140

Dimensions flange connection [mm]

size	nominal diameter DN								
	15	20	25	32	40	50	65	80	100
A ₂ *	180	180	180	180	200	230	290	310	350
B	108	108	108	108	108	108	148	148	207
C	157	157	157	157	157	157	212	212	270
D	140	140	140	140	140	140	200	200	200

*overall length tolerances in acc. with DIN EN 558

Weights [kg] sleeve connection

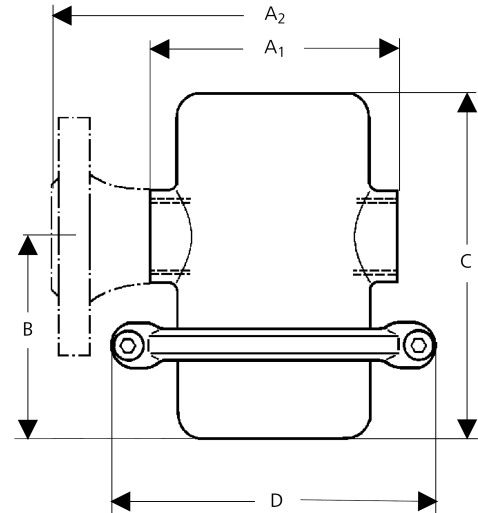
nominal diameter G						
1/2	3/4	1	1 1/4	1 1/2	2	
1.2	1.4	1.4	1.6	1.6	2.3	

Weights [kg] flange connection

nominal diameter DN									
15	20	25	32	40	50	65	80	100	
2.6	3.2	3.6	5	5.1	6.3	9.4	10.7	13.5	

Customs tariff number

84818099



Mankenberg GmbH | Spenglerstrasse 99 | D-23556 Luebeck | Germany

Authorised Distributor:



46, Jalan SS 22/21, Damansara Jaya,
 47400 Petaling Jaya,
 Selangor Darul Ehsan, Malaysia.
 Email: ampmech@ampmech.com
 Website: www.ampmech.com

Please send us your enquiry and allow us to advise you. Special designs on request.
 The pressure has always been indicated as overpressure. Mankenberg reserves the right to alter technical specifications without notice.