

BG2 range manual call point

Ex de, Ex ia, weatherproof



Overview

This manual fire alarm call point has been designed for use in flammable atmospheres and harsh environmental conditions.

The GRP enclosure is suitable for use offshore or onshore where lightweight combined with a high level of corrosion resistance is required.

Features

- Zone 0, Zone 1 and Zone 2 use
- Ex de, Ex ia or weatherproof
- ATEX approved - Ex II 1GD (Ex ia)
- Ex II 2GD (Ex de)
- IP66 and IP67
- Certified temperature from -40°C to +70°C*
- Corrosion resistant red painted GRP
- Retained stainless steel cover screws
- Optional lift flap
- Key operated test facility
- Lightweight and robust

*Model dependent



Authorised Distributor:



46, Jalan SS 22/21, Damansara Jaya,
47400 Petaling Jaya,
Selangor Darul Ehsan, Malaysia.
Email: ampmech@ampmech.com
Website: www.ampmech.com

Eaton
Unit B, Sutton Parkway
Oddicroft Lane
Sutton in Ashfield
United Kingdom
NG17 5FB

T: +44 (0) 1623 444 400
www.crouse-hinds.com/hac
MEDCSales@Eaton.com

© 2019 Eaton
All Rights Reserved
Printed in UK
Publication
No.DSMC0006/B
May 2019

Eaton is a registered trademark.

All other trademarks are property
of their respective owners.



Powering Business Worldwide

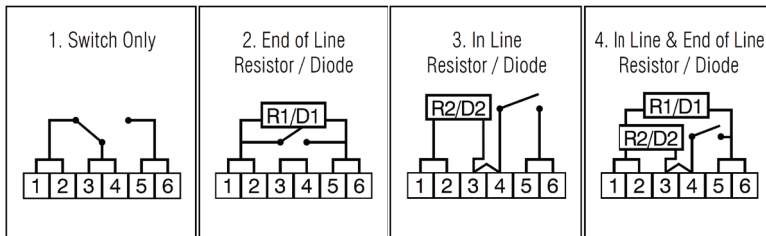
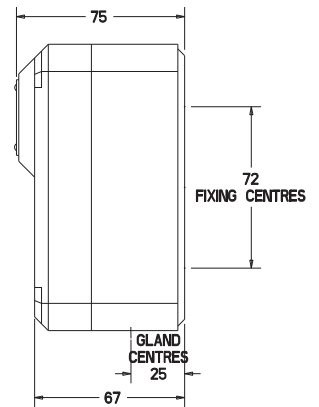
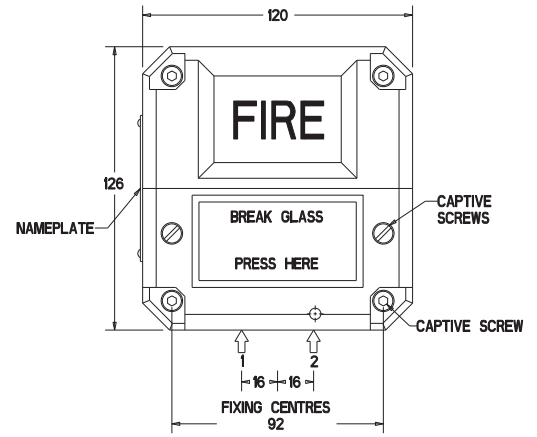
Certifications

ATEX Ex de	Cert. no. BAS02ATEX2105X. ATEX Approved Ex II 2GD Certified to: EN60079-0, EN60079-1, EN60079-7, EN60079-18, EN60079-31 Ex db eb IIC T6 Gb, Ex tb IIIC T85°C Db (switch only) Ex db eb mb IIC T4 Gb, Ex tb IIIC T135°C Db (with resistors & diodes)
ATEX Ex ia	Cert. no. Baseefa 03ATEX0084X. ATEX Approved Ex II 1 GD Certified to: EN60079-0, EN60079-11 Ex ia IIC T4 Ga, Ex ia IIIC T135°C Da

Specifications

Material	Anti static UV resistant glass reinforced polyester
Finish	Painted red
Certified temp	-40°C to +70°C
Voltage	Up to 250Vac. Up to 50Vdc (model dependent)
Weight	1.2Kg
Ingress protection	IP66 and IP67
Cable entries	2 x M20 bottom
Terminals	6 x 2.5 mm ²
Resistors values	Ex de - 100Ω minimum, 39 KΩ maximum Ex ia - 470Ω minimum
Switch ratings	Switch only 30Vdc 5A (resistive) or 3A (inductive) 30-50Vdc 1A (resistive or inductive) 250Vac 5A (resistive or inductive) Resistor(s) 24Vdc 0.05A

General arrangement drawing (all dimensions in mm)



ALL CIRCUITS SHOWN WITH GLASS INTACT

Ordering requirements

The following code is designed to help in selection of the correct unit. Build up the reference number by inserting the code for each component into the appropriate box

Model		Options		Flap		Finish	
[]		[]		[]		[]	
Model	Code	Options	Code	Flap	Code	Finish	Code
BG2W - ac or dc	BG2WNN	Switch only	1	Fitted	F*	Red painted	R
BG2I - Up to 28V (I.S.)	BG2INN	End of line resistor	2*	Not fitted	N		
BG2E - dc	BG2EDC	In line resistor	3*	*Polycarbonate lift flap			
BG2E - ac	BG2EAC	In line and end of line resistor	4*				
		Diode (specify location & value)	5				

*Specify resistor values

The Eaton BG range of manual alarm call point caters for numerous options such as variety of colours, LED indication, earth continuity, double switch, etc. See separate catalogue sheet for details