

DB7 sounder range up to 110dB(A)

Intrinsically safe (Ex ia), weatherproof



Overview

This range of ruggedised, intrinsically safe and weatherproof sounders, intended for use in potentially explosive atmospheres, has been designed with high ingress protection to cope with the harsh environmental conditions found offshore and onshore in the oil, gas and petrochemical industries.

The unit is available in 12V and 24V versions and for gas groups IIB or IIC.

A lower cost, uncertified version is available for use in non-explosive atmospheres.

Features

- Zone 0, 1, 2 and safe area use
- EEx ia IIB/IIC T4
- ATEX approved Ex II 1G
- Weatherproof uncertified version
- IP66 & IP67
- Certified temperature -55°C to +70°C
- Corrosion resistant red painted GRP
- Up to 110 dB(A) output
- 27 tones, user selectable
- Tones comply with UKOOA/PFEER guidelines
- Any two tones may be switched by the external voltage supply
- Retained stainless steel cover screws



Authorised Distributor:



46, Jalan SS 22/21, Damansara Jaya,
47400 Petaling Jaya,
Selangor Darul Ehsan, Malaysia.
Email: ampmech@ampmech.com
Website: www.ampmech.com

Eaton
Unit B, Sutton Parkway
Oddicroft Lane
Sutton in Ashfield
United Kingdom
NG17 5FB

T: +44 (0) 1623 444 400
www.crouse-hinds.com/hac
MEDCSales@Eaton.com

© 2024 Eaton
All Rights Reserved
Printed in UK
Publication
No.DSMC0037/C
March 2024

Eaton is a registered trademark.

All other trademarks are property of their respective owners.



Powering Business Worldwide

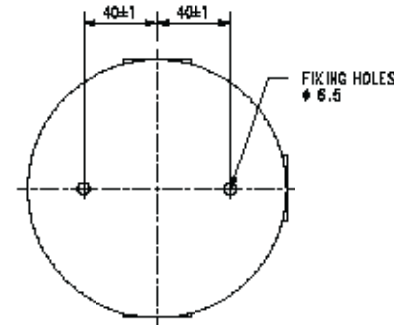
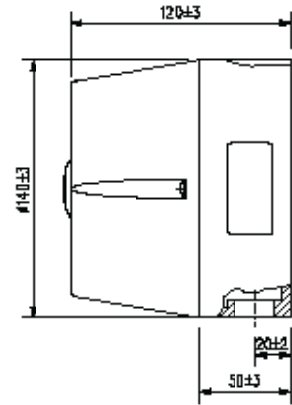
Certifications

ATEX EEx ia	Cert. no. BAS00ATEX1260X. Certified to: EN50014, EN50020, EN50284 Ex II 1G, EEx ia IIC T4 Ex II 1G, EEx ia IIB T4
-------------	--

Specifications

Material	UV stable glass reinforced polyester. Retained stainless steel cover screws
Finish	Painted red as standard or to customer specification
Voltage	12V or 24V via suitable barrier
Current consumption	24V models 34mA – 68mA 12V models 25mA – 55mA
Sound output	107± 3dB(A) at 1 metre for 12V and 24V IIB versions 103± 3dB(A) at 1 metre for 12V and 24V IIC versions Typical value only – variable with tone
Tone selection	Switchable between any two of the 27 tones by reversing the polarity of the supply
Certified temp	-55°C to +70°C
Weight	1.0 kg
Ingress protection	IP66 & IP67
Entries	Up to 3 x M20 via knockouts
Terminals	8 x 2.5mm ²
Labels	Duty and tag labels available

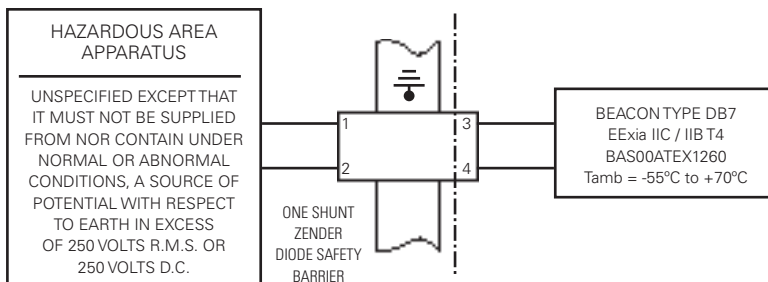
General arrangement drawing (all dimensions in mm)



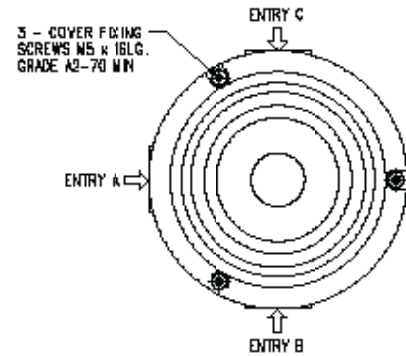
NON-HAZARDOUS AREA

INSTALLATION DRAWING

HAZARDOUS AREA



REFER TO TECHNICAL MANUAL FOR SUITABLE BARRIERS
NOTE: REFER TO UNIT INSTRUCTION SHEET FOR FULL INSTALLATION DRAWING



Ordering requirements

The following code is designed to help in selection of the correct unit. Build up the reference number by inserting the code for each component into the appropriate box

Model DB7P	Certification []	Voltage []	Tag label []	Finish []																												
	<table border="1"> <tr> <th>Certification</th> <th>Code</th> </tr> <tr> <td>Uncertified</td> <td>W</td> </tr> <tr> <td>ATEX IIB</td> <td>BB</td> </tr> <tr> <td>ATEX IIC</td> <td>BC</td> </tr> </table>	Certification	Code	Uncertified	W	ATEX IIB	BB	ATEX IIC	BC	<table border="1"> <tr> <th>Voltage</th> <th>Code</th> </tr> <tr> <td>12Vdc</td> <td>012</td> </tr> <tr> <td>24Vdc</td> <td>024</td> </tr> </table>	Voltage	Code	12Vdc	012	24Vdc	024	<table border="1"> <tr> <th>Label</th> <th>Code</th> </tr> <tr> <td>None</td> <td>N</td> </tr> <tr> <td>Tag</td> <td>T*</td> </tr> <tr> <td>Duty</td> <td>D*</td> </tr> </table> <p>*Please specify wording</p>	Label	Code	None	N	Tag	T*	Duty	D*	<table border="1"> <tr> <th>Colour</th> <th>Code</th> </tr> <tr> <td>Painted red</td> <td>R</td> </tr> <tr> <td>Special</td> <td>S*</td> </tr> </table> <p>*Please specify</p>	Colour	Code	Painted red	R	Special	S*
Certification	Code																															
Uncertified	W																															
ATEX IIB	BB																															
ATEX IIC	BC																															
Voltage	Code																															
12Vdc	012																															
24Vdc	024																															
Label	Code																															
None	N																															
Tag	T*																															
Duty	D*																															
Colour	Code																															
Painted red	R																															
Special	S*																															