

Exe(m), Weatherproof



Introduction

Manufactured in GRP, with a high ingress protection and high light output, these status lamps have been designed for use in potentially explosive atmospheres and harsh environmental conditions such as those found offshore and onshore in the petrochemical industries.

A long life, high intensity, LED version is now available.

Authorised Distributor:



46, Jalan SS 22/21, Damansara Jaya,
47400 Petaling Jaya,
Selangor Darul Ehsan, Malaysia.
Email: ampmech@ampmech.com
Website: www.ampmech.com

Features

- Zone 1 and Zone 2 use.
- Exe(m) II T3/T4.
- ATEX approved, Ex II 2G.
- IECEx certified Gb.
- Chinese (CQST) certified.
- IP66 and IP67.
- Certified temperature: -40°C to $+55^{\circ}\text{C}^*$.
- Corrosion resistant GRP.
- Up to 5 ways.
- Xenon, LED & Filament versions available.
- Various lamp colours.
- Lightweight.
- Retained stainless steel cover screws.

* Model Dependent.



ATEX IECEx



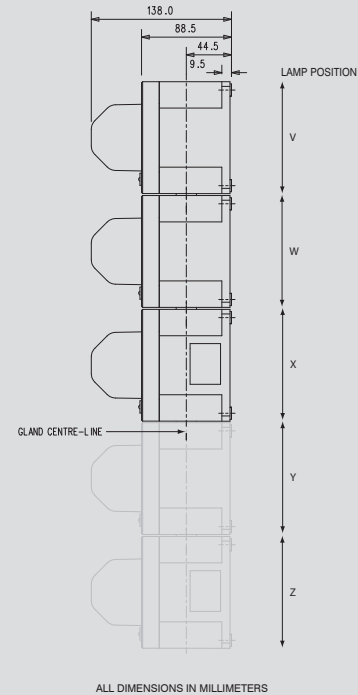
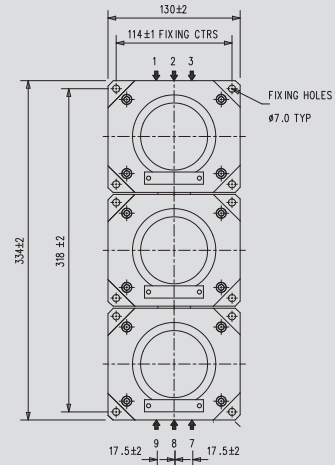
Certification and Specification

Certification:	Certified to: EN60079-0, EN60079-7, EN60079-18 Cert. No. BAS02ATEX2108X. Certified to: IEC 60079-0, IEC 60079-7, IEC 60079-18. IECEX Cert No. IECEX BAS 11.0105X. Ex e IIC T3 Gb. Filament. Ex e mb IIC T4 Gb. Xenon & LED. Chinese (CQST) – Exe II T3, Filament. – Exe mb II T4, Xenon & LED.
Material:	UV stable, glass reinforced polyester with polycarbonate wellglass. Captive stainless steel cover screws.
Finish:	Natural black or painted to customer specification.
Voltage:	d.c. – 12V, 24V, 48V.
Certified Temp:	–40°C to +55°C (Filament & Xenon). –40°C to +45°C (LED).
Light Module:	Up to 5 ways – Filament: 2 x 5W. Xenon: 1J (nominal). LED: Up to 400Cd.

Light Module Colours:	Red, Amber, Yellow, Green, Blue or Clear.
Weight:	1.2kg 1 way.
Ingress Protection:	IP66 and IP67.
Terminals:	Filament: Max 12 x 4mm ² . Xenon: Max 16 x 2.5mm ² . LED: Max 16 x 2.5mm ² or 4mm ² .
Labels:	Optional stainless steel tag/duty label.

Current Consumption:			
Model	Voltage	24V	48V
Xenon	Current	120mA	95mA
LED	Current	130-180mA	70-90mA

Entries:			
Size	Maximum Number	Entry Position	
		Top	Bottom
M16	2	Any	Any
M20	2	Any	Any
M25/M32	1	2	8



Ordering Requirements

The following code is designed to help in selection of the correct unit. Build up the reference number by inserting the code for each component into the appropriate box.

Model SL5	Certification []	Lamp Type / Positions V [] W [] X [] Y [] Z []	Voltage []	Cable Entries []	Duty/Tag label []	Finish []
Certification Code Uncertified W Exe(m) E IECEX J Chinese (CQST) Q	Indicate light module type Filament 1 LED Steady 3 Xenon 2 LED Flashing 4 (60fpm) (60fpm) Suffixed by colour required:	Voltage Code 12V d.c. 012* 24V d.c. 024 48V d.c. 048†	Entry Size Code M16 *A M20 *B M25 *C M32 *D	Label Code Duty label D* Tag label T* None N	Finish Code Natural Black N Red R Special S*	
	Lamp colour Code Red R Blue B Green G Amber A Yellow Y* Clear C	† Note: Xenon and LED versions only. * Filament version only.	* Prefix with cable entry position. (See diagram above) E.g. 7A, 9A.	* Please specify.	* Please specify.	

* LED not available.

Example: A two way Exe certified unit, with filament lamps coloured red top, blue bottom, rated 24V dc, with 2 x M20 bottom entries, finished in red would be our ref: **SL5E1B0247B9BNR**.