

## GUB empty enclosures



GUB 00



GUB 20



GUB 30

### Technical data

#### Ex d light alloy enclosure GUB

Marking accd. to 2014/34/EU	⊕ II 2 G Ex d IIC Gb ⊕ II 2 D Ex t IIIC Gb
EC-Type Examination Certificate	LOM 03 ATEX 3107U
Permissible ambient temperature	-20 °C up to +40 °C -60 °C up to +55 °C (option)
Rated voltage	690 V
Rated current	max. 250 A
Protection class	I
Degree of protection accd. to EN 60529	IP67
Cable glands/enclosure drilling	<sup>1)</sup>
Dimensions (L x W x H)	<sup>1)</sup>
Weight	<sup>1)</sup>
Enclosure material	copper-free aluminium
Enclosure colour	Polyester finish grey

<sup>1)</sup> see table

### Ordering details

Type	Power dissipation <sup>1)</sup>			Rated current max.	Weight approx.		Order No.
	T6	T5	T4		1 1/2"	2"	
<b>Ex d light alloy empty enclosures GUB</b>							
GUB 00	60	85	150	60 A	3.20 kg		<b>NOR 000 001 160 116</b>
GUB 20	100	145	255	150 A	6.20 kg		<b>NOR 000 001 160 124</b>
GUB 30	140	200	360	250 A	10.20 kg		<b>NOR 000 001 160 132</b>
<b>Type</b>	<b>1/2"</b>	<b>3/4"</b>	<b>1"</b>	<b>1 1/4"</b>	<b>1 1/2"</b>	<b>2"</b>	<b>2 1/2"</b>
<b>Max. entries per side</b>							
GUB 00	4	3	2	2	2	–	–
GUB 20	6	5	3	2	2	1	1
GUB 30	10	8	5	3	3	2	2

<sup>1)</sup>Power dissipation to keep the temperature class only. Operating temperature of internal components has to be considered.

These enclosures can provide according to LOM 04 ATEX 2018 certification with the following electrical apparatus:

bus-bars, terminals, low voltage transformers, air circuit breakers, automatic circuit breakers, control and operations circuits, servomotors without ventilation, starters and ballasts for discharge lamps, electronic apparatus, associated SI apparatus, etc. according customer needs.



GUB 30

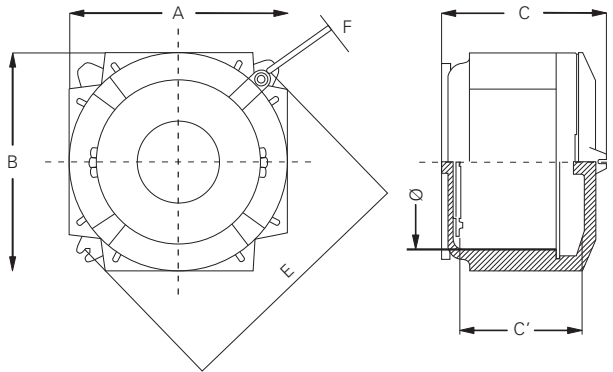


GUB 20



GUB 00

Dimension drawing



6

Ex d light alloy enclosure GUB

Type	External			Internal		Mounting	
	A	B	C	Ø	C'	E	F
GUB 00	170	170	135	125	74	210	9
GUB 20	215	215	195	175	139	250	11
GUB 30	333	333	180	295	120	370	11

Authorised Distributor:



46, Jalan SS 22/21, Damansara Jaya,  
47400 Petaling Jaya,  
Selangor Darul Ehsan, Malaysia.  
Email: [ampmech@ampmech.com](mailto:ampmech@ampmech.com)  
Website: [www.ampmech.com](http://www.ampmech.com)