

BDT18 – Process pressure gauge 63mm

Product description

Badotherm pressure gauge model BDT18 is manufactured according to the EN837-1 and is available in full stainless steel or Alloy 400 wetted parts in a stainless steel case. This pressure gauge is typically used for applications in the chemical, petro-chemical, oil & gas, power and utilities, machine building and general process industries. Safety comes first, with a blow-out feature, pressure elements made of high quality tubes. These gauges are designed to withstand the severest of operating conditions of the ambient environment and the process medium.

Design standard

EN837-1

Dial sizes, ranges & accuracy

Possibilities in ranges and accuracies are led by the dial size. Accuracy class is based on dry gauges. Liquid filling can affect the accuracy.

Dial size	Ranges	Accuracy
63mm	0...1 to 0...1000 bar	1.6%

Mounting variation

Not all gauges are suitable for some mounting variations. For the BDT18 series the mounting variations are below.

- **type A** (10) bottom connection, direct mounting
- **type B** (33) Lower-back connection U-bracket
- **type C** (11) bottom connection, surface mounting (back)
- **type D** (30) Lower back connection, direct mounting
- **type E** (32) lower back connection, panel mounting (front)

More specifically per dial size:

Dial size	A	B	C	D	E	F
63mm	•	•	•	•	•	



Process connection

Dial size	Standard thread	optionally	SW size
63mm	G ¼ A or ¼ " NPT	1/8"	14mm

Other thread standards such as ISO 7-1 R (BSPT), or DIN 13-1 (Metric) can be selected as well.

-> See datasheet "thread information" for specific thread details

Materials of construction

	BDT18	BDT18...M
Case	AISI 304 (optionally 316)	
Bezel	AISI 304 (optionally 316)	
Connection ¹	AISI 316	Alloy 400
Sensing element ¹	AISI 316	Alloy 400
Movement	Stainless steel	
Pointer	Aluminium	
Dial	Aluminium	
Window gasket	NBR	
Blow out	NBR	
Fill plug	NBR (HNBR for filled gauges)	
Mounting flanges	AISI 304	
Window	Laminated safety glass	

*1 wetted materials

Pressure limitations

The gauges are built to withstand harsh environments however the EN 837 limits the use of a pressure gauge according below table.

Dial size	Steady	Fluctuating	Short time
63mm	0.75 x FSV	0.67 x FSV	FSV

FSV: full scale value

Temperature limitations

The gauges can withstand ambient and process temperature up to a certain limit. The limitations on temperature are:

	Ambient	Medium
Dry	-40°C ...+60°C	-40°C...+200°C
Filled	-20°C ...+60°C	-20°C...+90°C

The variation of indication caused by the effect of temperature shall not exceed: $\pm 0.4\% / 10K FSV$

Window

Standard BDT18 63mm has a laminated safety window. Options such as glass, or acrylic windows are available.

Pointer

Standard pointer is a fixed black painted aluminum pointer.

There are several types of pointers available:

- Adjustable slotted pointer

Dial facing

The dial plate is made from aluminum and coated with UV resistant white coating. The black dial markings, scale, numbering, and interval is according the EN 837. Options like colored dial, customer logo, or colored segments are possible as well. Scale interval and numbering is following the EN837.

Limit stop

To prevent permanent damage after overpressure, or sudden vacuum the gauge is protected by a stop pin on the dial.

Degree of protection

The BDT18 has a standard degree of protection of IP65. The values are determined according the IEC/EN 60529.

Case filling

The gauges can be filled with different kind of fill fluids. The fill fluids available are:

- BPF01 – Glycerine 86%
- BPF02 – Silicon
- BPF04 - Foaming service
- BPF05 - ECTFE inert fluid for oxygen service
- BPF06 – Glycerine 99.5%

Restrictor Screw

All gauges can be executed with a restrictor of 0.8 or 0.3 orifice in AISI316.

Special service

The gauges can be supplied cleaned for oxygen use. This means the gauge is assembled and tested in a special area free of oil. The gauges are individually packed in a plastic bag with marking. The symbol:



Certification & Declaration

Calibration

Gauges are full range calibrated as a factory standard. Optionally you can select a 5 points calibration certificate, and a 10 points calibration certificate for the 0.6% and 0.5% gauges.

[Pressure Equipment Directive - 2014_68_EU](#)

PED approval is given according article 3.3 and is valid for ranges >200 bar. All gauges will be marked accordingly. A declaration of conformity can be supplied.

[ATEX 114 - 2014/68/EU](#)

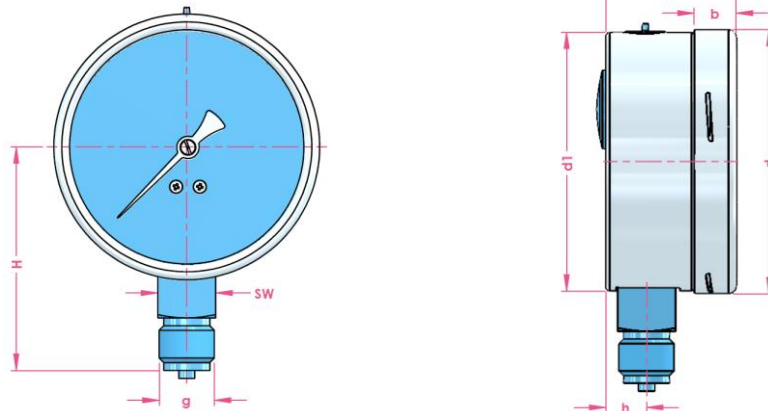
ATEX restrictions are explained in the IOM and in the ATEX background datasheet.

[EN 10204 material certificate](#)

A material 3.1 certificate on the wetted parts can be supplied.

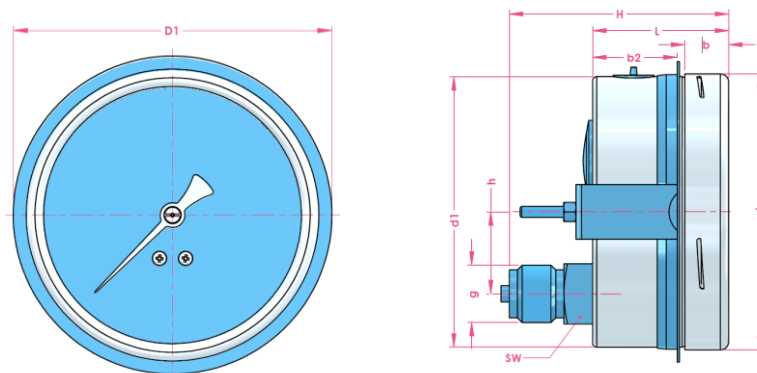
Dimensions table

Type A (10)



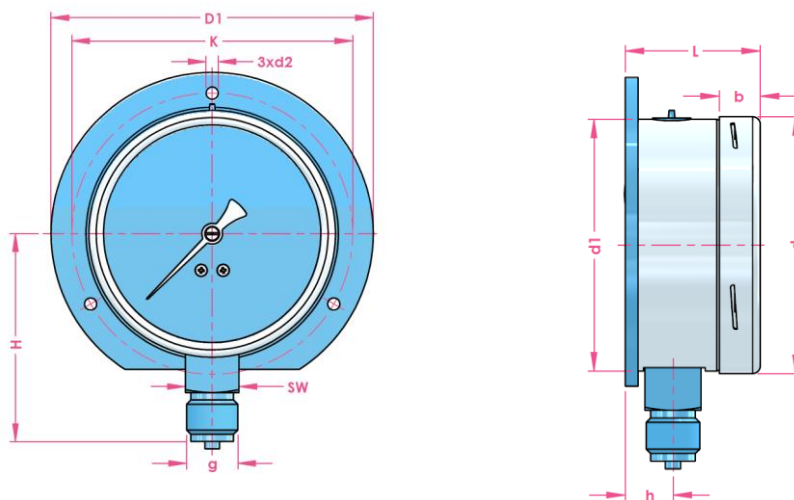
Dial size	d	d1	b	L	h	g	SW	H	weight
63	63.8	61.7	13.0	33.5	11.0	G 1/4	14	52.5	0.2 / 0.3

Type B (33)



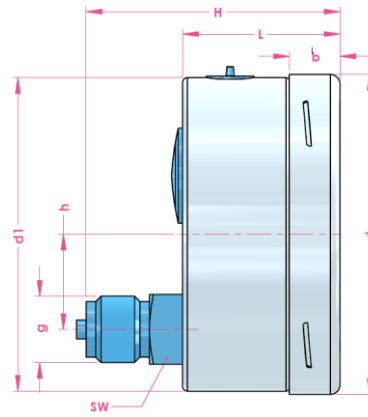
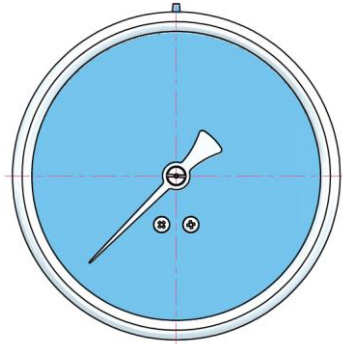
Dial size	d	d1	b	b2	L	h	g	SW	H	weight
63	63.8	61.7	13.0	18.5	33.5	18.0	G 1/4	14	60.5	0.2 / 0.3

Type C (11)



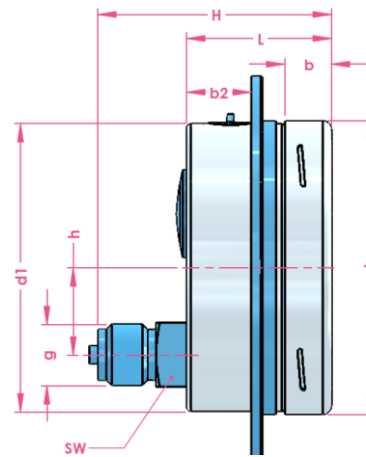
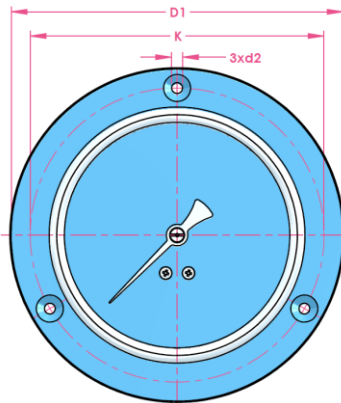
Dial size	d	d1	b	L	h	K	d2	D1	g	SW	H	weight
63	63.8	61.7	13.0	36.5	15.0	71.5	4.3	85.0	G 1/4	14	54.5	0.2 / 0.3

Type D (30)



Dial size	d	d1	b	L	h	g	SW	H	weight
63	63.8	61.7	13.0	33.5	18.0	G 1/4	14	60.5	0.25

Type E (32)



Dial size	d	d1	b	b2	L	h	K	D1	g	SW	H	weight
63	63.8	61.7	13.0	17.0	33.5	18.5	73.4	85.0	G 1/4	14	60.5	0.2 / 0.3

Product code 63mm

Code	
Example code:	BDT18 63 A G14M S363 S304 F 0 A B50 16
TYPE	
63 mm ◀	63
MOUNTING*1	
Bottom connection - direct mounting (10) ◀	A
Lower back connection - flush U-bracket clamp fix. (33)	B
Bottom connection - surface mounting (11)	C
Lower back connection. - direct mounting (30)	D
Lower back connection.- panel mount (32)	E
CONNECTION	
G 1/8" A	G18M
1/8" NPT	N18M
G1/4 A ◀	G14M
1/4" NPT	N14M
TUBE & SOCKET MATERIAL	
AISI 316 ◀	S363
Alloy 400	A400
CASE/BEZEL MATERIAL	
AISI 304 ◀	S304
POINTER	
Fixed pointer ◀	F
Adjustable slotted pointer	A
LIQUID FILLING	
Dry ◀	0
BPF 01 - Glycerine filled 1,23 (86%)	1
BPF 06 - Glycerine filled 1,26 (99,5%)	6
BPF 02 - Silicone filled	2
BPF 04 - Foaming service	4
BPF 05 - Oxygen service	5
WINDOW*2	
Acrylic (SAN) ◀	A
Laminated glass (S1)	L
Glass	G
RANGE	
See page table 1 and table 2
ACCURACY	
1,6 ◀	16

◀: is the sign for the standard pressure gauge

Tabel 1: Pressure Range code

bar		psi		MPa		kPa		kgf/cm2	
Code	Range	Code	Range	Code	Range	Code	Range	Code	Range
C36	-1...0,6	C37	30Hg/15psi	N50	0...1,6	D36	-100...60	E36	-1...0,6
C38	-1...1,5	C39	30Hg/30psi	N54	0...2,5	D38	-100...150	E38	-1...1,5
C40	-1...3	C41	30Hg/60psi	N57	0...4	D40	-100...300	E40	-1...3
C42	-1...5	C44	30Hg/100psi	N58	0...6	D42	-100...500	E42	-1...5
C45	-1...9	C46	30Hg/150psi	N60	0...10	D45	-100...900	E45	-1...9
C50	-1...15	C50	30Hg/220psi	N62	0...16	D50	-100...1500	E50	-1...15
C54	-1...24	C53	30Hg/300psi	N65	0...25	D54	-100...2400	E54	-1...24
B01	-1...0	P32	0...10	N69	0...40	L01	-100...0	K01	-1...0
B04	-0,6...0	P35	0...15	N71	0...60	L04	-60...0	K04	-0,6...0
B31	0...0,6	P37	0...30	N73	0...100	L31	0...60	K31	0...0,6
B35	0...1	P40	0...60	N76	0...160	L35	0...100	K35	0...1
B36	0...1,6	P43	0...100			L36	0...160	K36	0...1,6
B38	0...2,5	P46	0...160			L38	0...250	K38	0...2,5
B40	0...4	P48	0...200			L40	0...400	K40	0...4
B42	0...6	P51	0...300			L42	0...600	K42	0...6
B45	0...10	P55	0...400			L45	0...1000	K45	0...10
B50	0...16	P56	0...500					K50	0...16
B54	0...25	P57	0...600					K54	0...25
B57	0...40	P58	0...800					K57	0...40
B58	0...60	P59	0...1000					K58	0...60
B60	0...100	P60	0...1500					K60	0...100
B62	0...160	P61	0...2000					K62	0...160
B65	0...250	P64	0...3000					K65	0...250
B69	0...400	P66	0...4000					K69	0...400
B71	0...600	P68	0...5000					K71	0...600
B73	0...1000	P69	0...6000					K73	0...1000
		P72	0...10000						
		P73	0...15000						

Table 2: Secondary scale

Dual scale option	code
PSI red	#PR
PSI black	#PB
PSI blue	#PBL
bar red	#BR
bar black	#BB
bar blue	#BBL

Add the code behind the pressure code
(eg B45#PR for 0...10 bar/psi with red scale)

Table 3: General option code

Option (start options with X_)	code
Drag pointer	_SP
Index pointer	_IP
Fixed pointer on dial	_FP
Restrictor screw 0.8mm (AISI316)	_RS8
Restrictor screw 0.3mm (AISI316)	_RS3
Restrictor screw 0.8mm (Alloy 400)	_RM8
Calibrated at 0°	_C0
Calibrated at 180°	_C180
Cleaned for Oxygen use	_CFO
NACE ISO 15156 (MR 01 75) (alloy 400)	_N75
ATEX II2GDc-IM2c	_ATEX
3.1 material certificate	_IC31
Calibration certificate 5 points	_CC5

Supplier:

46, Jalan SS 22/21, Damansara Jaya,
47400 Petaling Jaya,
Selangor Darul Ehsan, Malaysia.

Email: ampmech@ampmech.com

Website: www.ampmech.com

PG BDT18SB-63 1st of October 2021

Change log

Date	Change

Holland – Romania – India – Thailand – Dubai – USA

To our knowledge, the information contained herein is accurate as of the date of this document. However neither Badotherm, nor its affiliates makes any warranty, express or limited, or accepts any liability in connection with this information or its use. This information is for technical skilled persons at their own discretion and risk and does not relate to the use of this product in combination with any other product. The user alone finally determines suitability of any information or material in contemplated use, the manner of use and whether any patents are infringed. This information gives typical properties only. Badotherm reserves the right to make changes to the specifications any materials without prior notice. The latest version of the datasheet can be found on www.badotherm.com.

© 2015 Badotherm, all rights reserved. Trademarks and/or other products referenced herein are either trademarks or registered trademarks of Badotherm.