

Accessories and service kit



Wall mounting bracket



1

5939-06

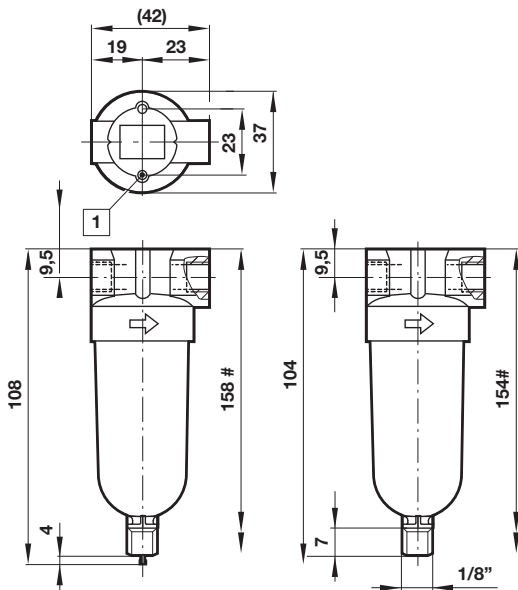
Service kit

	Service kit manual drain	Service kit automatic drain
5 µm:	F07-KITM05 (5 µm – black)	F07-KITA05 (5 µm – black)
40 µm:	F07-KITM40 (40 µm – green)	F07-KITA40 (40 µm – green)

Dimensions

Manual drain

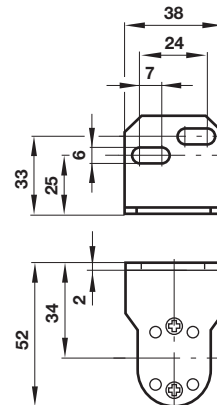
Automatic drain



Minimum clearance required to remove bowl
 1 Mounting holes, \varnothing 4 mm, 13 mm deep

Wall mounting bracket

Dimensions in mm
 Projection/First angle



Use 1/8" (3 mm) screws to mount bracket to wall.

Authorised Distributor:



46, Jalan SS 22/21, Damansara Jaya,
 47400 Petaling Jaya,
 Selangor Darul Ehsan, Malaysia.
 Email: ampmech@ampmech.com
 Website: www.ampmech.com

Warning

These products are intended for use in industrial compressed air systems only. Do not use these products where pressures and temperatures can exceed those listed under »**Technical features/ data**«.

Before using these products with fluids other than those specified, for non-industrial applications, life-support systems or other applications not within published specifications, consult Norgren Ltd.

Through misuse, age, or malfunction, components used in fluid power systems can fail in various modes.

The system designer is warned to consider the failure modes of all component parts used in fluid power systems and to provide adequate safeguards to prevent personal injury or damage to equipment in the event of such failure.

System designers must provide a warning to end users in the system instructional manual if protection against a failure mode cannot be adequately provided.

System designers and end users are cautioned to review specific warnings found in instruction sheets packed and shipped with these products.