

F22 Filter (Stainless steel)

- Port size: 1/2 NPTF
- Metallic parts meet NACE*

- Applications include marine environment, oil and gas production, chemical and industrial compressed air systems

* National Association of Corrosion Engineers (NACE) MR-01-75 defines requirements for sulphide stress cracking resistant materials used in well-head and other corrosive environments.



Technical features

Medium:
Compressed air

Filter element:
25 or 5 µm

Ambient/Media temperature:
-20 ... +80°C (-4 ... +176 °F)
Air supply must be dry enough to avoid ice formation at temperatures below +2°C (+35 °F)

Materials:
Body & bowl: stainless steel
Filter element: PE or sintered stainless steel
Elastomers: Synthetic rubber

Operating pressure:
17 bar max (246 psi)

Port sizes:
1/2 NPTF

Technical data, standard model

| Symbol | Port size | Filter element (µm) | Material | Flow *1) (dm ³ /s) | Drain | Weight (kg) | Model |
|--------|-----------|---------------------|----------|-------------------------------|-----------|-------------|--------------|
| | 1/2 NPTF | 25 | PE | 46 | Manual | 1,88 | F22-400-M7DA |
| | 1/2 NPTF | 25 | PE | 46 | Automatic | 1,84 | F22-400-A7DA |

*1) Typical flow with 25µm element at 6.3 bar inlet pressure and 0.35 bar pressure drop.

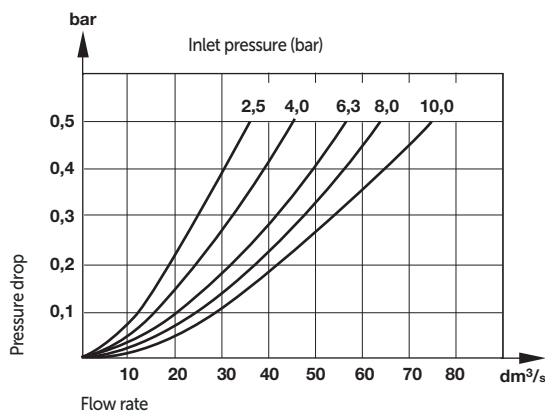
Option selector

F22-400-★ ★ DA

| Drain | Substitute |
|-----------|------------|
| Automatic | A |
| Manual | M |

| Filter element | Substitute |
|------------------------|------------|
| 5 µm, stainless steel | 1 |
| 25 µm, stainless steel | 2 |
| 5 µm, polyethylene | 6 |
| 25 µm, polyethylene | 7 |

Flow characteristics



Accessories

Wall mounting bracket



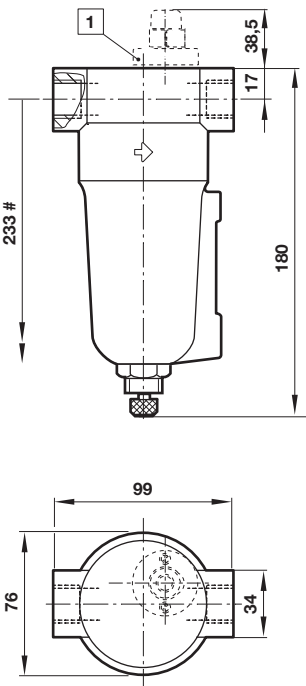
18-001-962

Spares kit

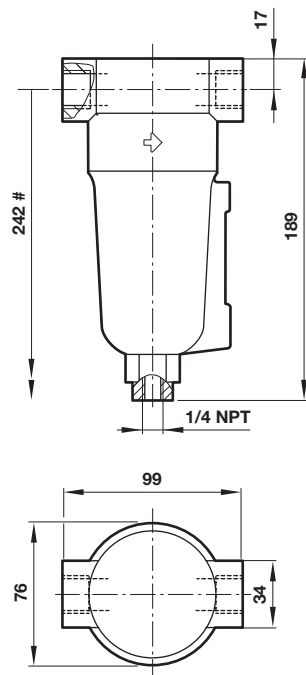
| Filter element | | Service kit, manual drain | | Service kit, automatic drain | | Automatic drain | |
|----------------|------------------------|---------------------------|----------|------------------------------|---------|-----------------|--|
| 25 µm | 4338-07 (polyethylene) | 6317-02 (stainless) | F22-100M | F22-100A | 3000-90 | | |
| 5 µm | 4338-04 (polyethylene) | 6317-01 (stainless) | | | | | |

Dimensions

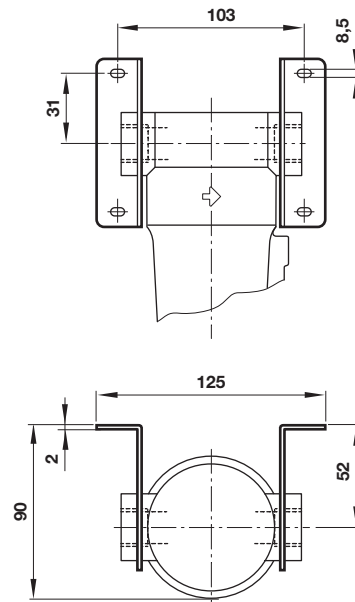
Manual drain



Automatic drain



Wall mounting bracket



Dimensions in mm
Projection/First angle



Minimum clearance required to remove bowl

Authorised Distributor:



46, Jalan SS 22/21, Damansara Jaya,
47400 Petaling Jaya,
Selangor Darul Ehsan, Malaysia.
Email: ampmech@ampmech.com
Website: www.ampmech.com

Warning

These products are intended for use in industrial compressed air systems only. Do not use these products where pressures and temperatures can exceed those listed under »**Technical features/data**«. Before using these products with fluids other than those specified, for non-industrial applications, life-support systems or other applications not within published specifications, consult Norgren Inc.

Through misuse, age, or malfunction, components used in fluid power systems can fail in various modes.

The system designer is warned to consider the failure modes of all component parts used in fluid power systems and to provide adequate safeguards to prevent personal injury or damage to equipment in the event of such failure.

System designers must provide a warning to end users in the system instructional manual if protection against a failure mode cannot be adequately provided.

System designers and end users are cautioned to review specific warnings found in instruction sheets packed and shipped with these products.