

R38

Precision regulator (stainless steel)

- Port size: 1/4 NPT
- Designed for use in corrosive environment
- Metallic parts meet NACE* Standard MR-01-75
- Applications include marine environment, oil and gas production, chemical and food processing, medical analysis
- Model for precision regulation and high flow

* National Association of Corrosion Engineers – recognised oil-field recommendation for resistance to sulphide stress cracking common in well-head and other corrosive environments



Technical features

Medium:

Compressed air only

Maximum inlet pressure:

31 bar (450 psig)


Outlet pressure range:

0,04 ... 2 bar (0,5 ... 29 psig),
0,07 ... 4 bar (1 ... 58 psig),
0,25 ... 7 bar (3,6 ... 102 psig),
0,4 ...10 bar (5,8 ... 145 psig)

Port sizes:

1/4 NPT
1/4 NPT (gauge), 1/8 NPT (relief)

Standard compliances:

 II 2G Ex h IIC T6 Gb
 II 2D Ex h IIIC T85° Db

Ambient/Media temperature:

-40 ... +80°C (-40 ... +176 °F)
Air supply must be dry enough to avoid ice formation at temperatures below +2°C (+36 °F)

Materials:

Body, bowl, bonnet & adjusting screw: stainless steel
Elastomers: Synthetic rubber

Technical data, standard model, relieving

Symbol	Port size	Outlet pressure (bar)	Flow * (dm ³ /s)	Weight (kg)	Model
	1/4 NPT	0,04 ... 2	8	1,1	R38-240-RNCA
	1/4 NPT	0,07 ... 4	8	1,1	R38-240-RNFA

* Typical flow with 7 bar inlet pressure, 1 bar set pressure and 0,05 bar drop from set.

Option selector

R38-24★-★N★A

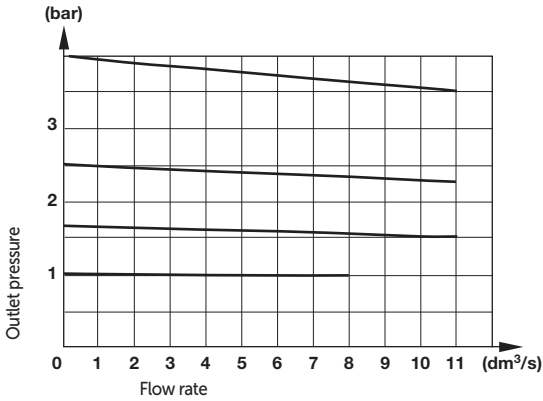
Option	Substitute
Mounting	Substitute
None	0
Neck mounting bracket	1
Panel nut	2
Diaphragm	Substitute
Relieving	R
Non relieving	N

Outlet pressure adjustment ranges (bar)*	Substitute
0,04 ... 2	C
0,07 ... 4	F
0,25 ... 7	K
0,4 ... 10	M

* Outlet pressure can be adjusted to pressures in excess of, and less than, those specified. Do not use these units to control pressures outside of the specified ranges.

Flow characteristics

Inlet pressure: 7 bar, port size: 1/4 NPT



Spares kit

Valve assembly and diaphragm



Description Model

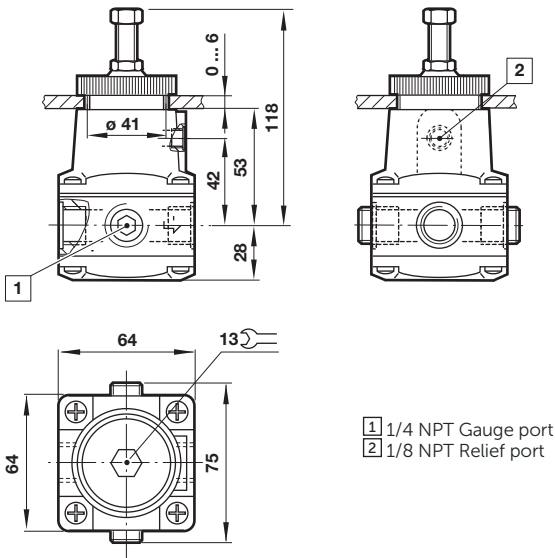
2 bar relieving	R38-100R
4 and 7 bar relieving	R38-101R
10 bar relieving	R38-102R
2 bar non-relieving	R38-100NR
4 and 7 bar non-relieving	R38-101NR
10 bar non-relieving	R38-102NR

Accessories



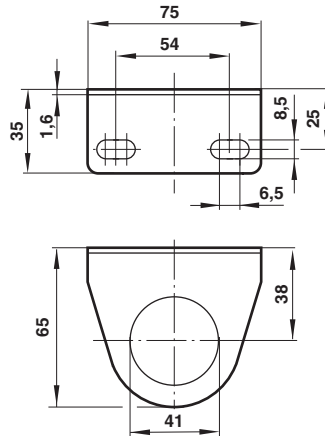
* Stainless steel items not strictly to NACE standard MR-01-75.

Dimensions



Neck mounting bracket

Dimensions in mm
Projection/First angle



Authorised Distributor:

AMPMECH

46, Jalan SS 22/21, Damansara Jaya,
47400 Petaling Jaya,
Selangor Darul Ehsan, Malaysia.
Email: ampmech@ampmech.com
Website: www.ampmech.com

Warning

These products are intended for use in industrial compressed air systems only. Do not use these products where pressures and temperatures can exceed those listed under »**Technical features/ data**«.

Before using these products with fluids other than those specified, for non-industrial applications, life-support systems or other applications not within published specifications, consult Norgren.

Through misuse, age, or malfunction, components used in fluid power systems can fail in various modes.

The system designer is warned to consider the failure modes of all component parts used in fluid power systems and to provide adequate safeguards to prevent personal injury or damage to equipment in the event of such failure.

System designers must provide a warning to end users in the system instructional manual if protection against a failure mode cannot be adequately provided.

System designers and end users are cautioned to review specific warnings found in instruction sheets packed and shipped with these products.