

DB5 sounder range up to 92 dB @ 1m

Intrinsically safe (Ex ia)



Overview

This range of lightweight, intrinsically safe sounders have been designed with a high weatherproof rating to cope with the harsh environmental conditions found offshore and onshore in the oil, gas and petrochemical industries.

The DB5 can also be used in the mining industry.

The unit is available in 2 models: 12Vdc and 24Vdc.

Features

- Zone 0, Zone 1 and Zone 2 use
- Ex ia IIC T4
- ATEX/IECEX certified (Group II Surface)
- ATEX/IECEX certified (Group I Mining)
- IECEX certified, Ga
- CCOE certified
- IP65
- Certified temperature -20°C to +55°C
- Volume control as standard
- Up to 92 dB @1m
- 26 different sound outputs, user selectable by internal switches
- Encapsulated electronics
- Second tone selectable using third wire

Authorised Distributor:



46, Jalan SS 22/21, Damansara Jaya,
47400 Petaling Jaya,
Selangor Darul Ehsan, Malaysia.
Email: ampmech@ampmech.com
Website: www.ampmech.com



ATEX IECEX 



Powering Business Worldwide

Eaton
Unit B, Sutton Parkway
Oddicroft Lane
Sutton in Ashfield
United Kingdom
NG17 5FB

T: +44 (0) 1623 444 400
www.crouse-hinds.com/hac
MEDCSales@Eaton.com

© 2023 Eaton
All Rights Reserved
Printed in UK
Publication
No.DSMC0009/E
October 2023

Eaton is a registered trademark.

All other trademarks are property of their respective owners.

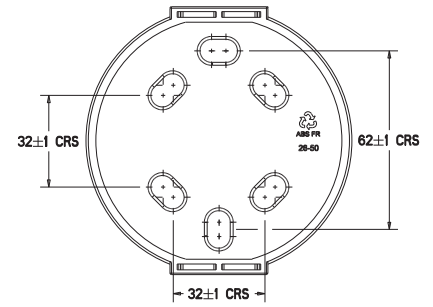
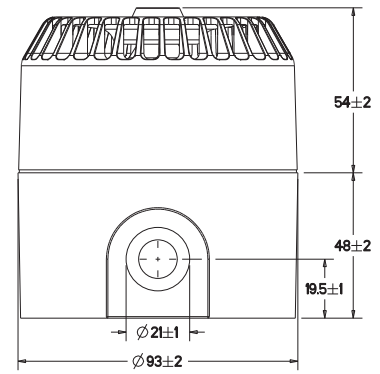
Certifications

ATEX Ex ia (surface)	Cert. no. BAS00ATEX1259X Certified to: EN60079-0, EN60079-11, EN60079-26 Ex ia IIC T4 Ga
ATEX Ex ia (surface sys)	Cert. no. Baseefa10Y0054 Certified to: EN60079-25 Ex ia IIC T4 Ga
ATEX Ex ia (mining)	Cert. no. MECS01ATEX4260 Certified to: EN50014, EN50020, EN50303 I M 1, EEx ia I
ATEX Ex ia (mining sys)	Cert. no. 94Y7095 Certified to: EN50039 Ex ia I
IECEX Ex ia (surface)	Cert. no. IECEX BAS 08.0043x Certified to: IEC60079-0, IEC60079-11, IEC60079-26 Ex ia IIC T4 Ga
IECEX Ex ia (mining)	Cert. no. IECEX ITA 15.0010X Certified to: IEC60079-0, IEC60079-11 Ex ia I Ma
CCC Ex ia (surface)	Ex ia IIC T4 Ga

Specifications

Material	A.B.S. (Acrylonitrile Butadiene Styrene)
Finish	Available in red as standard
Sound output	92± 3dB for 12V and 24V versions Typical max value only – variable with tone Tones comply with BS 5839 Part 1
Current consumption	24 Vdc model – 14 mA max. nominal 12 Vdc model – 12 mA max. nominal
Certified temp	-20 °C to +55 °C
Weight	0.3 kg
Entries	2 x M20 side entries
Terminals	6 off suitable to accept up to 2.5 mm ² cable, for looping

General arrangement drawing (all dimensions in mm)



Ordering requirements

The following code is designed to help in selection of the correct unit. Build up the reference number by inserting the code for each component into the appropriate box

Model DB5	Certification <input type="text"/>	Voltage <input type="text"/>	Tag label <input type="text"/>	Finish <input type="text"/>																														
	<table border="1"> <thead> <tr> <th>Certification</th> <th>Code</th> </tr> </thead> <tbody> <tr> <td>ATEX (surface)</td> <td>B</td> </tr> <tr> <td>ATEX (mining)</td> <td>MB*</td> </tr> <tr> <td>IECEX (surface)</td> <td>J</td> </tr> <tr> <td>IECEX (mining)</td> <td>MJ</td> </tr> <tr> <td>CCC</td> <td>Q</td> </tr> </tbody> </table> <p>*12Vdc only</p>	Certification	Code	ATEX (surface)	B	ATEX (mining)	MB*	IECEX (surface)	J	IECEX (mining)	MJ	CCC	Q	<table border="1"> <thead> <tr> <th>Voltage</th> <th>Code</th> </tr> </thead> <tbody> <tr> <td>12Vdc</td> <td>012</td> </tr> <tr> <td>24Vdc</td> <td>024</td> </tr> </tbody> </table>	Voltage	Code	12Vdc	012	24Vdc	024	<table border="1"> <thead> <tr> <th>Tag label</th> <th>Code</th> </tr> </thead> <tbody> <tr> <td>None</td> <td>N</td> </tr> <tr> <td>Yes</td> <td>Y*</td> </tr> </tbody> </table> <p>*Please specify</p>	Tag label	Code	None	N	Yes	Y*	<table border="1"> <thead> <tr> <th>Colour</th> <th>Code</th> </tr> </thead> <tbody> <tr> <td>Red</td> <td>R</td> </tr> <tr> <td>Special</td> <td>S*</td> </tr> </tbody> </table> <p>*Please specify</p>	Colour	Code	Red	R	Special	S*
Certification	Code																																	
ATEX (surface)	B																																	
ATEX (mining)	MB*																																	
IECEX (surface)	J																																	
IECEX (mining)	MJ																																	
CCC	Q																																	
Voltage	Code																																	
12Vdc	012																																	
24Vdc	024																																	
Tag label	Code																																	
None	N																																	
Yes	Y*																																	
Colour	Code																																	
Red	R																																	
Special	S*																																	