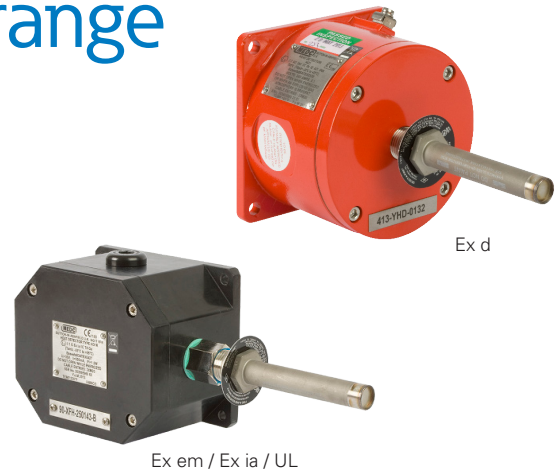


# HD1 heat detector range

Ex d, Ex em & Ex ia



## Overview

The Eaton heat detector has been designed for use in hazardous environments. These units are suitable for fire alarm and/or suppression systems in offshore and onshore applications including paint spray booths, flammable material stores, turbine rooms, extract ductwork and other hazardous areas throughout the oil & gas, petrochemical and process industries.

Comprising a Fenwal rate-compensated detector with all-stainless steel external construction, mounted to either a marine grade alloy enclosure (Exd) or corrosion-free GRP enclosure (Ex ia, Ex em and UL). The contact in the detector CLOSES at alarm temperature.

To select appropriate temperature setting see specification on reverse.

## Features

- Zone 0, Zone 1 and Zone 2 use
- ATEX / IECEx certified
  - Ex d IIB+H2 T3/T6
  - Ex d IIC T4/T6
  - Ex em IIC T4/T6
  - Ex ia IIC T4/T6 Ga
- UL listed for USA and Canada:
  - Class I, Div 2, Groups A, B, C D
- SIL 2 certified
- IP66 & IP67
- Certified temperature:
  - 20°C to +125°C (Ex d)\*
  - 20°C to +55°C (Ex em / UL)
  - 55°C to +55°C (Ex ia)
- Stainless steel probe (Ex s)
- Detector temperature settings: 60°C to 385°C, (140°F to 725°F)
- Marine grade alloy or GRP enclosure
- Optional stainless steel guard

\*Model dependent

### Authorised Distributor:



46, Jalan SS 22/21, Damansara Jaya,  
47400 Petaling Jaya,  
Selangor Darul Ehsan, Malaysia.  
Email: [ampmech@ampmech.com](mailto:ampmech@ampmech.com)  
Website: [www.ampmech.com](http://www.ampmech.com)



Powering Business Worldwide

Eaton  
Unit B, Sutton Parkway  
Oddicroft Lane  
Sutton in Ashfield  
United Kingdom  
NG17 5FB

T: +44 (0) 1623 444 400  
[Eaton.com/signalling](http://Eaton.com/signalling)

© 2024 Eaton  
All Rights Reserved  
Printed in UK  
Publication  
No.DSMC0020/G  
October 2024

Eaton is a registered trademark.

All other trademarks are property of their respective owners.

## Certifications

<b>ATEX / IECEx EEx d IIB</b>	ATEX cert. no. Baseefa03ATEX0447X IECEX cert. no. IECEX SGS 24.0013X Certified to EN/IEC60079-0, EN/IEC60079-1, EN/IEC60079-31, EN/IEC60079-33 Ex II 2 GD, Ex db sb IIB+H2 T6 (T3 @ +125°C)
<b>ATEX / IECEx Ex d IIC</b>	ATEX cert. no. Baseefa08ATEX0320X IECEX cert. no. IECEX SGS 24.0012X Certified to EN/IEC60079-0, EN/IEC60079-1, EN/IEC60079-31, EN/IEC60079-33 Ex II 2 GD, Ex db sb IIC T6 (T4 @ +90°C)* *+90°C not available with addressable module
<b>ATEX / IECEx Ex em</b>	ATEX cert. no. Baseefa03ATEX0428X IECEX cert. no. IECEX BAS 24.0035X Certified to EN/IEC60079-0, EN/IEC60079-7+A1, EN/IEC60079-33 Ex II 2 G, Ex eb sb IIC T6 Gb (-20°C to +55°C), Ex eb em sb IIC T4 Gb (-20°C to +55°C)* *With resistor fitted
<b>ATEX / IECEx Ex ia</b>	ATEX cert. no. Baseefa03ATEX0427 IECEX cert. no. IECEX BAS 13.0010 Certified to EN/IEC60079-0, EN/IEC60079-11 Ex II 1 G, Ex ia IIC T6 Ga (-55°C to +55°C)* *T4 with resistor fitted
<b>UL</b>	Listing no. E252920 – versions up to 450°F Listing no. E254077 – versions from 600°F to 725°F UL for USA and Canada, listed to Class 1, Div 2. Groups A, B, C, D
<b>SIL</b>	SIL2 certified. Cert no. CSA FSP 12007

## Specifications

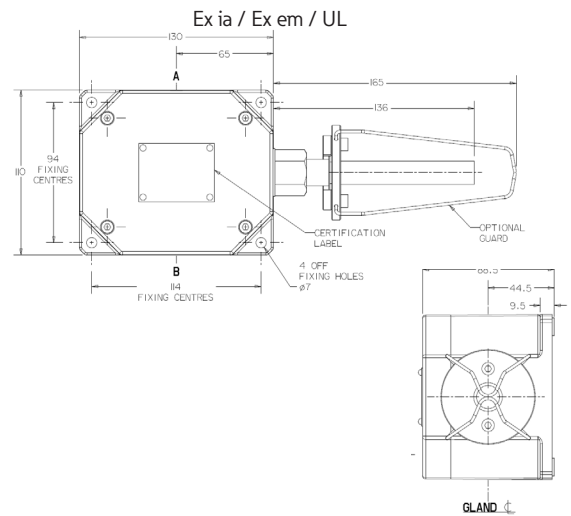
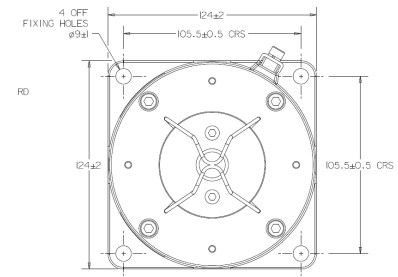
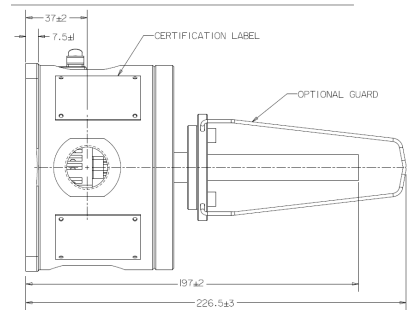
<b>Material</b>	Detector: Stainless steel Enclosures: Ex d – LM25 marine grade alloy Ex ia / Ex em / UL – GRP (anti-static) Cover screws: Stainless steel Optional guard: 316 stainless steel
<b>Finish</b>	Detector: Sand blasted. Enclosures: Ex d painted to customers specification Ex ia / Ex em / UL - Natural black or painted to customer's specification
<b>Certified temp</b>	Ex em, UL, Ex d IIC, Ex d IIB: -20°C to +55°C (T6) -20°C to +90°C (T4) Ex d IIB: -20°C to +125°C (T3) -20°C to +55°C (T6) Ex ia: -20°C to +55°C (T4)* -55°C to +55°C (T6) -55°C to +55°C (T4)* *with resistor fitted
<b>Weight</b>	Ex d, 2kg Ex ia / Ex em / UL, 1.1kg
<b>Ingress protection</b>	IP66 & IP67
<b>Operation</b>	The detector contact is normally open and CLOSSES at alarm temperature
<b>Contact rating</b>	Ex d IIB, Ex em, UL: 125Vac - 5A, 125Vdc - 0.5A, 48Vdc -1A, 24Vdc - 2A Ex d IIC: 24V - 0.1A Ex ia: 30V - 300mA
<b>Entries</b>	2 x M20 (Ex d / Ex em / Ex ia) 2 x 1/2" NPT via adaptors (UL version)
<b>Terminals</b>	6 x 4mm <sup>2</sup> (BK6)
<b>Resistor</b>	Series & EOL resistor (maximum total 2) minimum value (each) 470Ω
<b>Diodes</b>	Up to 2 off available in Ex d IIB, Ex d IIC, Ex ia - contact sales office
<b>Labels</b>	Optional stainless steel tag and duty labels

## Ordering requirements

The following code is designed to help in selection of the correct unit. Build up the reference number by inserting the code for each component into the appropriate box

Model	Certification	Type	Temp settings	Options	Finish																																																																														
HD1																																																																																			
	<table border="1"> <thead> <tr> <th>Certification</th> <th>Code</th> </tr> </thead> <tbody> <tr> <td>ATEX / IECEx</td> <td>B</td> </tr> <tr> <td>UL listed</td> <td>UL</td> </tr> <tr> <td>ATEX / IECEx / UL triple listed</td> <td>AU</td> </tr> </tbody> </table>	Certification	Code	ATEX / IECEx	B	UL listed	UL	ATEX / IECEx / UL triple listed	AU	<table border="1"> <thead> <tr> <th>Type</th> <th>Code</th> </tr> </thead> <tbody> <tr> <td>Ex d IIB</td> <td>BD*</td> </tr> <tr> <td>Ex d IIC</td> <td>CD*</td> </tr> <tr> <td>Ex em</td> <td>E†</td> </tr> <tr> <td>Ex ia</td> <td>I</td> </tr> <tr> <td>UL</td> <td>U</td> </tr> </tbody> </table> <p>* Ex d only available in ATEX / IECEx † ATEX / IECEx / UL triple listed Ex em version only</p>	Type	Code	Ex d IIB	BD*	Ex d IIC	CD*	Ex em	E†	Ex ia	I	UL	U	<table border="1"> <thead> <tr> <th>Temp°F</th> <th>Code</th> </tr> </thead> <tbody> <tr><td>140</td><td>140</td></tr> <tr><td>160</td><td>160</td></tr> <tr><td>190</td><td>190</td></tr> <tr><td>210</td><td>210</td></tr> <tr><td>225</td><td>225</td></tr> <tr><td>275</td><td>275</td></tr> <tr><td>325</td><td>325</td></tr> <tr><td>360</td><td>360</td></tr> <tr><td>450</td><td>450</td></tr> <tr><td>500</td><td>500</td></tr> <tr><td>600</td><td>600</td></tr> <tr><td>725</td><td>725</td></tr> </tbody> </table>	Temp°F	Code	140	140	160	160	190	190	210	210	225	225	275	275	325	325	360	360	450	450	500	500	600	600	725	725	<table border="1"> <thead> <tr> <th>Option</th> <th>Code</th> </tr> </thead> <tbody> <tr><td>None</td><td>N</td></tr> <tr><td>Duty label</td><td>D*</td></tr> <tr><td>Tag label</td><td>T*</td></tr> <tr><td>Guard</td><td>G</td></tr> <tr><td>Resistor EOL</td><td>E*</td></tr> <tr><td>Resistor series</td><td>S*</td></tr> <tr><td>Diode(s)</td><td>I*</td></tr> <tr><td>Blanking plug</td><td>P</td></tr> </tbody> </table> <p>* Please specify</p>	Option	Code	None	N	Duty label	D*	Tag label	T*	Guard	G	Resistor EOL	E*	Resistor series	S*	Diode(s)	I*	Blanking plug	P	<table border="1"> <thead> <tr> <th>Finish</th> <th>Code</th> </tr> </thead> <tbody> <tr><td>Natural black</td><td>N†</td></tr> <tr><td>Grey</td><td>G</td></tr> <tr><td>Red</td><td>R</td></tr> <tr><td>Blue</td><td>B</td></tr> <tr><td>Yellow</td><td>Y</td></tr> <tr><td>Special</td><td>S*</td></tr> </tbody> </table> <p>* Please specify † Ex em / Ex ia / UL only Ex d is painted</p>	Finish	Code	Natural black	N†	Grey	G	Red	R	Blue	B	Yellow	Y	Special	S*
Certification	Code																																																																																		
ATEX / IECEx	B																																																																																		
UL listed	UL																																																																																		
ATEX / IECEx / UL triple listed	AU																																																																																		
Type	Code																																																																																		
Ex d IIB	BD*																																																																																		
Ex d IIC	CD*																																																																																		
Ex em	E†																																																																																		
Ex ia	I																																																																																		
UL	U																																																																																		
Temp°F	Code																																																																																		
140	140																																																																																		
160	160																																																																																		
190	190																																																																																		
210	210																																																																																		
225	225																																																																																		
275	275																																																																																		
325	325																																																																																		
360	360																																																																																		
450	450																																																																																		
500	500																																																																																		
600	600																																																																																		
725	725																																																																																		
Option	Code																																																																																		
None	N																																																																																		
Duty label	D*																																																																																		
Tag label	T*																																																																																		
Guard	G																																																																																		
Resistor EOL	E*																																																																																		
Resistor series	S*																																																																																		
Diode(s)	I*																																																																																		
Blanking plug	P																																																																																		
Finish	Code																																																																																		
Natural black	N†																																																																																		
Grey	G																																																																																		
Red	R																																																																																		
Blue	B																																																																																		
Yellow	Y																																																																																		
Special	S*																																																																																		

## General arrangement drawing (all dimensions in mm)



**Listed temperature settings:** To select appropriate temperature settings, choose detector at 100°F (38°C) above maximum ambient temperature

Temperature setting		Tolerance		Colour code of text on probe
(°F)	(°C)	(°F)	(°C)	
140	60	+7/-8	±4	Black
160	71	+7/-8	±4	Black
190	88	+7/-8	±4	White
210	99	+7/-8	±4	White
225	107	+7/-8	±4	White
275	135	±10	±6	Blue
325	163	±10	±6	Red
360	182	±10	±6	Red
450	323	±15	±8	Green
500	260	±15	±8	Orange
600	316	±20	±11	Orange
725	385	±25	±14	Orange