

# LD15 range high intensity LED beacon

Ex db, weatherproof



## Overview

These certified LED beacons have been designed for use in potentially explosive atmospheres and harsh environmental conditions.

The enclosures are suitable for use offshore or onshore where light weight combined with corrosion resistance is required.

The housings are manufactured completely from a UV stable glass reinforced polyester. Stainless steel screws and mounting bracket are incorporated ensuring a totally corrosion free product.

The LD15 incorporates a low maintenance, innovative LED array, which has a life of up to 54,000 hours.

The low current consumption design allows an energy efficient solution without compromising light output. Units can be painted to customers specification and supplied with identification labels.

## Features

- Zone 1, 2, 21 & 22
- Ex db IIC T6/T5/T4
- ATEX Certified Ex II 2GD
- IECEx Certified Gb, Db
- UL certified for USA and Canada
  - Hazardous locations:
    - Class I, Div. 2, Groups A, B, C & D
    - Class II, Div. 2 Groups F & G
    - Class I, Zone 1, AExd, IIC T6/T5
  - Ordinary locations: visual-signal device
- CCC Ex certified
- INMETRO certified
- IP66 & 67
- SIL 2 certified
- Certified temperature -55°C to +85°C
- Corrosion-free GRP
- Optional stainless steel backstrap
- Various lens colours
- Optional cast aluminium or stainless steel wire guard
- Up to 3 x M20 or 3 x M25 entries
- 5 user selectable functions:
  - 60 fpm
  - 80 fpm
  - 120 fpm
  - Double flash
  - Steady
- Remote and local function selection

### Authorised Distributor:



46, Jalan SS 22/21, Damansara Jaya,  
47400 Petaling Jaya,  
Selangor Darul Ehsan, Malaysia.  
Email: [ampmech@ampmech.com](mailto:ampmech@ampmech.com)  
Website: [www.ampmech.com](http://www.ampmech.com)



Powering Business Worldwide

Eaton  
Unit B, Sutton Parkway  
Oddicroft Lane  
Sutton in Ashfield  
United Kingdom  
NG17 5FB

T: +44 (0) 1623 444 400  
[www.eaton.com/signalling](http://www.eaton.com/signalling)  
[MEDCSales@Eaton.com](mailto:MEDCSales@Eaton.com)

© 2025 Eaton  
All Rights Reserved  
Printed in UK  
Publication  
No.DSMC0028/E  
April 2025

Eaton is a registered trademark.

All other trademarks are property of their respective owners.

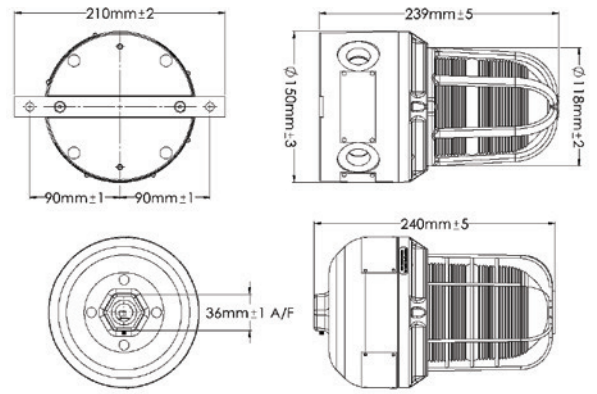
## Certifications

<b>ATEX Ex db</b>	Cert. no. Baseefa 04ATEX0009X Certified to: EN IEC 60079-0, EN 60079-1, EN 60079-31 Ex II 2GD Ex db IIC T4/T5/T6 Gb, Ex tb IIIC T135°C/T100°C/T85°C Db
<b>IECEX Ex db</b>	Cert. no. IECEX BAS 05.0048X Certified to: IEC60079-0, IEC60079-1, IEC60079-31 Ex db IIC T4/T5/T6 Gb, Ex tb IIIC T135°C/T100°C/T85°C Db
<b>INMETRO Ex db</b>	Ex db IIC T4/T5/T6 Gb, Ex tb IIIC T135°C/T100°C/T85°C Db
<b>CCC Ex</b>	Ex db IIC T5/T6 Gb, Ex tb IIIC T85°C/T100°C Db
<b>GB (GuoBiao)</b>	Ex db op is IIC T5/T6 Gb, Ex tb op is IIIC T85°C/T100°C Db
<b>UL Haz Locs</b>	Cert. no. E187894
<b>UL Ord Locs/Marine</b>	Cert. no. S8128. Visual signal device
<b>ULC</b>	Cert. no. E187894
<b>UL certified</b>	Class I, Div. 2, Groups A, B, C & D Class II, Div. 2, Groups F & G Class I, Zone 1, AEx d IIC T5/T6
<b>SIL</b>	SIL 2 certified to IEC61508. Cert number FSP 13005

## Specifications

<b>Material</b>	Body: glass reinforced polyester Lens: borosilicate glass Backstrap: stainless steel 316 Wire guard (optional): stainless steel wire Cast guard (optional): aluminium LM25M
<b>Finish</b>	Natural black or painted to customer specification
<b>Voltage</b>	12V d.c. to 48V d.c., 110V a.c. to 254V a.c
<b>LED life</b>	Up to 54,000 hours
<b>Function</b>	Steady, 60, 80 & 120 fpm, double flash
<b>Certified temp ATEX, IECEX, INMETRO</b>	-55°C to +85°C (T4) -55°C to +70°C (T5) -55°C to +55°C (T6)
<b>Certified temp UL, CCC Ex + GB, SIL 2</b>	-55°C to +70°C (T5) -55°C to +55°C (T6)
<b>Weight</b>	Pipe mount: 3.1kg Direct mount: 3.5kg
<b>Ingress protection</b>	IP66 & IP67
<b>Entries</b>	ATEX version: Standard: 2 x M20 Optional: 1 x M20/M25, 3 x M20/M25 entries UL version: Standard pipe: ¾" NPT Standard direct: 2 x ¾" NPT Optional direct: 1 x ½"/¾" NPT or 3 x ½"/¾" Dual UL/ATEX, UL/IECEX: Standard direct: 2 x ¾" NPT
<b>Terminals</b>	Direct mount: 12 x 2.5mm <sup>2</sup> /14AWG Pipe mount: 8 x 14AWG
<b>Labels</b>	Tag/duty optional
<b>EOL Resistor</b>	Customers may fit a monitoring resistor to DC units. The maximum total power dissipation through the resistor must be limited to 2W.

## General arrangement drawing (all dimensions in mm)



### Electrical:

Nominal voltage	d.c.			a.c. (50Hz*)				
	12	24	48	110	120	230	240	254
Average current steady (mA)	430	220	120	70	70	40	40	40
Average current 60fpm (mA)	880	420	220	90	90	50	50	50
Average current 80fpm (mA)	880	420	220	90	90	50	50	50
Average current 120fpm (mA)	880	420	220	90	90	50	50	50
Average current double (mA)	710	340	180	40	40	30	30	30

\*For 60Hz please refer to the US datasheet

### Typical light output (effective Cd) (no guard)

Colour	Red	Blue	Green	Amber	Clear	Yellow
<b>60 fpm</b>	61	24	86	55	128	122
<b>80 fpm</b>	55	22	78	49	117	112
<b>120 fpm</b>	47	19	66	42	100	95
<b>Steady*</b>	41	17	59	39	86	82

\*Not available ULC

## Ordering requirements

The following code is designed to help in selection of the correct unit. Build up the reference number by inserting the code for each component into the appropriate box

Model	Certification	Voltage	Lens colour	Lens guard	Fixings	Options	Finish																																																																																										
LD15																																																																																																	
	<table border="1"> <thead> <tr> <th>Certification</th> <th>Code</th> </tr> </thead> <tbody> <tr><td>ATEX</td><td>B</td></tr> <tr><td>IECEX</td><td>J</td></tr> <tr><td>Dual ATEX/UL</td><td>AU</td></tr> <tr><td>Dual IECEX/UL</td><td>JU</td></tr> <tr><td>UL</td><td>UL</td></tr> <tr><td>UL (ordinary location)</td><td>UW</td></tr> <tr><td>ULC</td><td>UC</td></tr> <tr><td>INMETRO</td><td>DM</td></tr> <tr><td>CCC Ex/GB</td><td>Q</td></tr> <tr><td>Weatherproof</td><td>W</td></tr> </tbody> </table>	Certification	Code	ATEX	B	IECEX	J	Dual ATEX/UL	AU	Dual IECEX/UL	JU	UL	UL	UL (ordinary location)	UW	ULC	UC	INMETRO	DM	CCC Ex/GB	Q	Weatherproof	W	<table border="1"> <thead> <tr> <th>Voltage</th> <th>Code</th> </tr> </thead> <tbody> <tr><td>12-48Vdc</td><td>DC</td></tr> <tr><td>110-254Vac</td><td>AC</td></tr> </tbody> </table>	Voltage	Code	12-48Vdc	DC	110-254Vac	AC	<table border="1"> <thead> <tr> <th>Lens colour</th> <th>Code</th> </tr> </thead> <tbody> <tr><td>Red</td><td>R</td></tr> <tr><td>Blue</td><td>B</td></tr> <tr><td>Green</td><td>G</td></tr> <tr><td>Amber</td><td>A</td></tr> <tr><td>Clear</td><td>C</td></tr> <tr><td>Yellow</td><td>Y</td></tr> </tbody> </table>	Lens colour	Code	Red	R	Blue	B	Green	G	Amber	A	Clear	C	Yellow	Y	<table border="1"> <thead> <tr> <th>Guard</th> <th>Code</th> </tr> </thead> <tbody> <tr><td>None</td><td>N</td></tr> <tr><td>Cast</td><td>C</td></tr> <tr><td>Wire</td><td>W</td></tr> </tbody> </table>	Guard	Code	None	N	Cast	C	Wire	W	<table border="1"> <thead> <tr> <th>Fixings</th> <th>Code</th> </tr> </thead> <tbody> <tr><td>Pipe mount</td><td>P*</td></tr> <tr><td>Direct mount without backstrap</td><td>D†</td></tr> <tr><td>Direct mount with backstrap</td><td>B†</td></tr> </tbody> </table> <p>*Only available on UL listings †Contact MEDC if ½"NPT is required</p>	Fixings	Code	Pipe mount	P*	Direct mount without backstrap	D†	Direct mount with backstrap	B†	<table border="1"> <thead> <tr> <th>Option</th> <th>Code</th> </tr> </thead> <tbody> <tr><td>None</td><td>N</td></tr> <tr><td>Tag label</td><td>T*</td></tr> <tr><td>Duty label</td><td>D*</td></tr> <tr><td>Relay initiate</td><td>R†**</td></tr> <tr><td>Telephone initiate</td><td>I‡**</td></tr> <tr><td>Blanking plug</td><td>P</td></tr> <tr><td>EOL Resistor</td><td>E§</td></tr> </tbody> </table> <p>*Please specify</p>	Option	Code	None	N	Tag label	T*	Duty label	D*	Relay initiate	R†**	Telephone initiate	I‡**	Blanking plug	P	EOL Resistor	E§	<table border="1"> <thead> <tr> <th>Finish</th> <th>Code</th> </tr> </thead> <tbody> <tr><td>Natural black</td><td>N</td></tr> <tr><td>Red</td><td>R</td></tr> <tr><td>Blue</td><td>B</td></tr> <tr><td>Yellow</td><td>Y</td></tr> <tr><td>Green</td><td>G</td></tr> <tr><td>White</td><td>W</td></tr> <tr><td>Special</td><td>S*</td></tr> </tbody> </table> <p>*Please specify</p>	Finish	Code	Natural black	N	Red	R	Blue	B	Yellow	Y	Green	G	White	W	Special	S*
Certification	Code																																																																																																
ATEX	B																																																																																																
IECEX	J																																																																																																
Dual ATEX/UL	AU																																																																																																
Dual IECEX/UL	JU																																																																																																
UL	UL																																																																																																
UL (ordinary location)	UW																																																																																																
ULC	UC																																																																																																
INMETRO	DM																																																																																																
CCC Ex/GB	Q																																																																																																
Weatherproof	W																																																																																																
Voltage	Code																																																																																																
12-48Vdc	DC																																																																																																
110-254Vac	AC																																																																																																
Lens colour	Code																																																																																																
Red	R																																																																																																
Blue	B																																																																																																
Green	G																																																																																																
Amber	A																																																																																																
Clear	C																																																																																																
Yellow	Y																																																																																																
Guard	Code																																																																																																
None	N																																																																																																
Cast	C																																																																																																
Wire	W																																																																																																
Fixings	Code																																																																																																
Pipe mount	P*																																																																																																
Direct mount without backstrap	D†																																																																																																
Direct mount with backstrap	B†																																																																																																
Option	Code																																																																																																
None	N																																																																																																
Tag label	T*																																																																																																
Duty label	D*																																																																																																
Relay initiate	R†**																																																																																																
Telephone initiate	I‡**																																																																																																
Blanking plug	P																																																																																																
EOL Resistor	E§																																																																																																
Finish	Code																																																																																																
Natural black	N																																																																																																
Red	R																																																																																																
Blue	B																																																																																																
Yellow	Y																																																																																																
Green	G																																																																																																
White	W																																																																																																
Special	S*																																																																																																

\*Please specify. For UL one label only. For AU/JU no labels.

†Suitable for 24Vdc initiate supplies only

‡Not available on UL/UW/ULC

\*\*Not available on SIL

§ Please specify